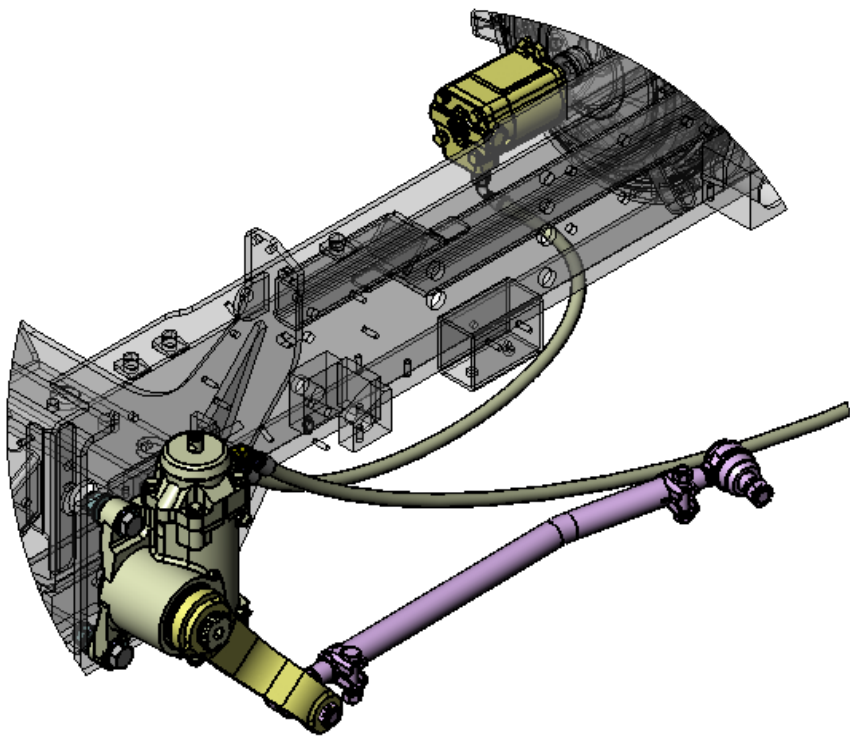
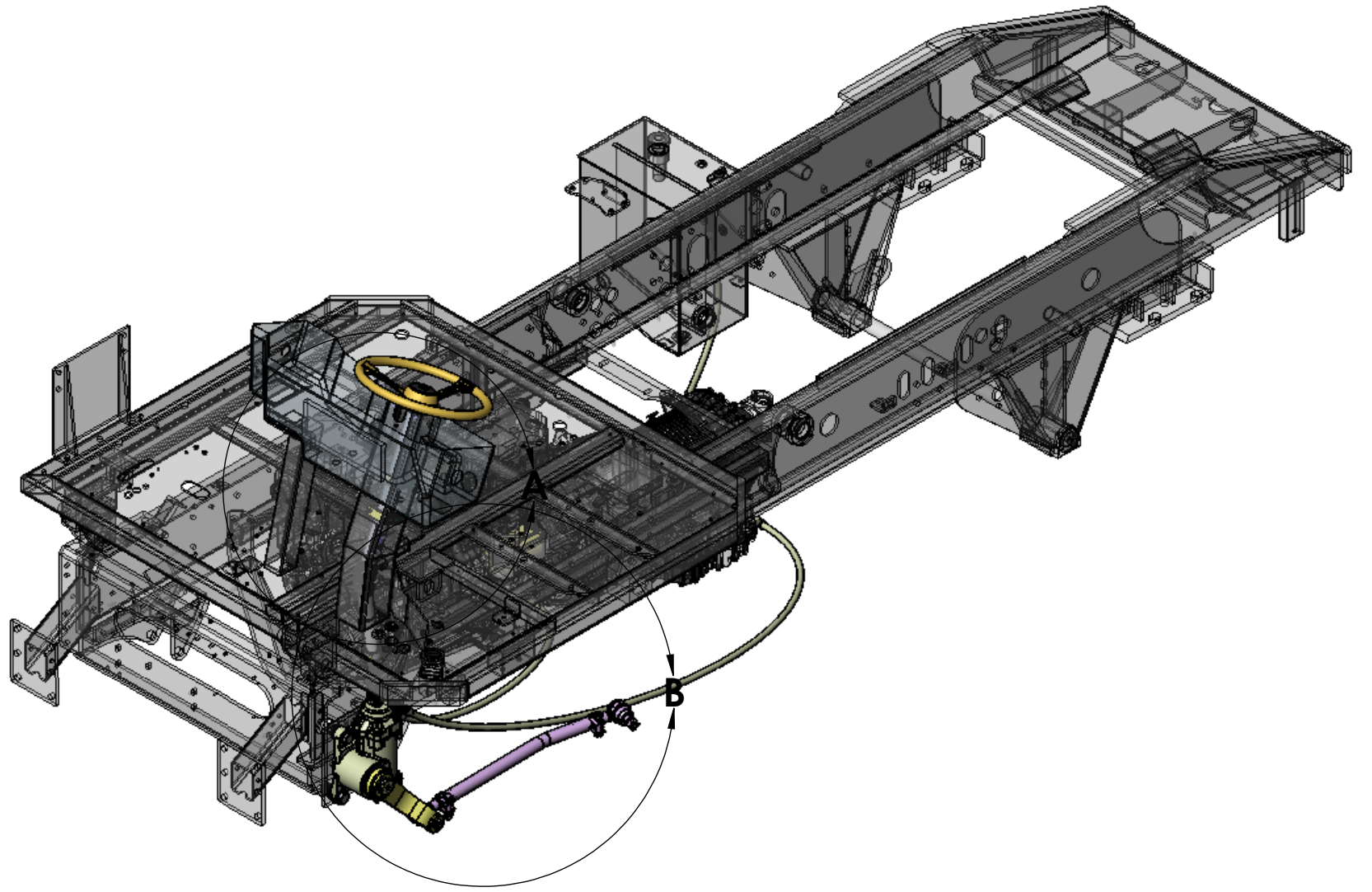

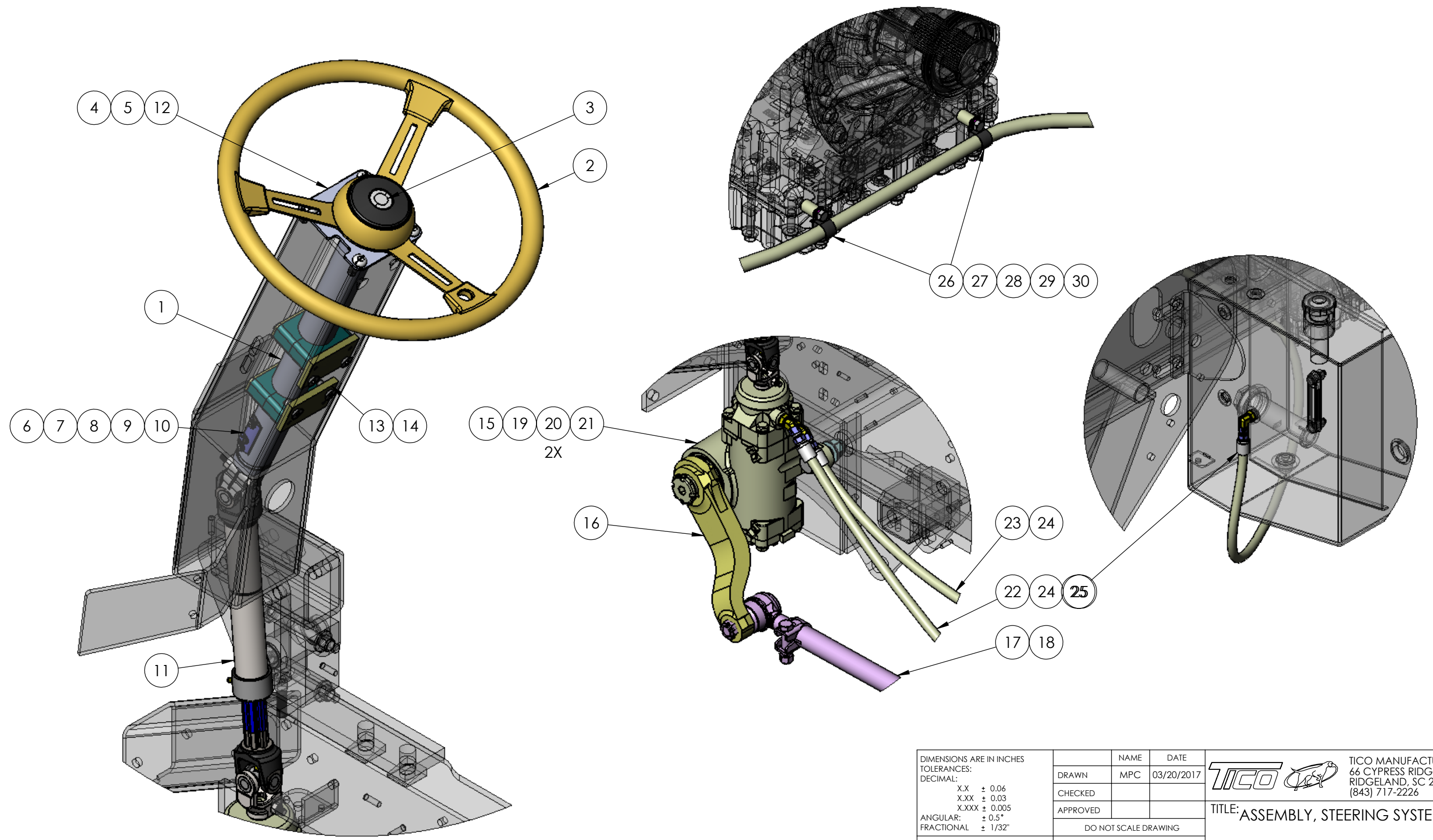



**STEERING COLUMN
PAGE 2**



**STEERING GEAR, DRAGLINK, & HOSES
PAGE 2**

DIMENSIONS ARE IN INCHES		NAME	DATE	 TICO MANUFACTURING 66 CYPRESS RIDGE DR. RIDGELAND, SC 29936 (843) 717-2226
TOLERANCES:		DRAWN	MPC 03/20/2017	
DECIMAL:		CHECKED		
X.X ± 0.06 X.XX ± 0.03 X.XXX ± 0.005		APPROVED		
ANGULAR:		DO NOT SCALE DRAWING		TITLE: ASSEMBLY, STEERING SYSTEM
FRACTIONAL ± 1/32"		THE SUBJECT MATTER SHOWN AND DESCRIBED IN THIS DRAWING AND ANY OTHER INFORMATION ADVANCED IN CONNECTION THEREWITH, IS PROPRIETARY PROPERTY AND IS TO BE HELD IN STRICT CONFIDENCE BY YOU. ALL RIGHTS TO ANY INVENTIONS, DESIGNS, TRADE MARKS, TRADE NAMES AND COPYRIGHTS DISCLOSED ARE RESERVED TO TICO TERMINAL SERVICES, INC.		SIZE B DWG. NO. 721537-A1 REV
MATERIAL				SCALE: 1:64 WEIGHT: 4688.66 SHEET 1 OF 2
FINISH				
THICKNESS				



DIMENSIONS ARE IN INCHES TOLERANCES: DECIMAL: X.X ± 0.06 X.XX ± 0.03 X.XXX ± 0.005 ANGULAR: ± 0.5° FRACTIONAL ± 1/32"	NAME	DATE	 TICO MANUFACTURING 66 CYPRESS RIDGE DR. RIDGELAND, SC 29936 (843) 717-2226	
	DRAWN	MPC		03/20/2017
	CHECKED			
	APPROVED			
DO NOT SCALE DRAWING			TITLE: ASSEMBLY, STEERING SYSTEM	
MATERIAL	THE SUBJECT MATTER SHOWN AND DESCRIBED IN THIS DRAWING AND ANY OTHER INFORMATION ADVANCED IN CONNECTION THEREWITH, IS PROPRIETARY PROPERTY AND IS TO BE HELD IN STRICT CONFIDENCE BY YOU. ALL RIGHTS TO ANY INVENTIONS, DESIGNS, TRADE MARKS, TRADE NAMES AND COPYRIGHTS DISCLOSED ARE RESERVED TO TICO TERMINAL SERVICES, INC.		SIZE	
FINISH			DWG. NO.	
THICKNESS			721537-A1	
			REV	
			SCALE: 1:64	
			WEIGHT: 4688.66	
			SHEET 2 OF 2	

TICO PRO-SPOTTER				
			ASSEMBLY, STEERING SYSTEM	721537
ITEM	PART #	QTY/M	DESCRIPTION	
	721537-A1	REF	ASSEMBLY, STEERING SYSTEM	
	42006	REF	FITTING, STRAIGHT, 1/2 ORB TO 1/2 JIC (AT PUMP)	
	90624-1	1	ASSEMBLY, STEER COLUMN (WITH HORN & TURN SIGNALS)	
1	90711	1	SHAFT, STEERING	
2	90338	1	STEERING WHEEL (WITH HORN)	
3	40566	1	BUTTON, HORN	
4	90724-19	1	COVER, STEER COLUMN	
5	90114	1	GROMMET	
6	90712	1	CONTACT, HORN	
7	90713	1	GASKET, RUBBER, HORN	
8	80295	2	SCREW, 10-32 X 3/8 LONG	
9	80234	2	LOCKWASHER, #10	
10	80232	2	WASHER, FLAT, 10-32	
11	30026	1	ASSEMBLY, STEERING DIFFERENTIAL	
12	80166	4	SCREW, SLOTTED HEAD, 5/16-18 X 1-1/4 LONG	
13	91704	2	ASSEMBLY, CLAMP, STEERING, THIRD PLATE	
14	83208	4	SCREW, CAP, ALLEN, COUNTERSUNK, 3/8-16 X 1 LONG	
15	30222	1	STEERING GEAR, SHEPPARD M100	
16	30222-2	1	ARM, PITMAN	
17	91554	1	DRAGLINK	
18	80148	2	COTTER PIN, 1/8"	
19	82476	3	BOLT, HEX HEAD, 7/8-9 X 3-1/4 LONG	
20	85096	6	WASHER, FLAT, 7/8	
21	85030	3	LOCKNUT, NYLON, 7/8-9	
22	410340	1	ASSEMBLY, HOSE, STRAIGHT X STRAIGHT, 1/2 ID X 158-3/4 LONG (STEERING GEAR TO TANK, H24508)	
23	40802	1	ASSEMBLY, HOSE, 90 TO STRAIGHT, 1/2 ID X 46-1/4 LONG (STEERING GEAR TO PUMP, H24508)	
24	40477	2	FITTING, ELBOW, 45°, 1/2 ORB TO 1/2 JIC (AT STEERING GEAR)	
25	40460	1	FITTING, ELBOW, 90°, 1/2 ORB X 1/2 JIC (AT TANK)	
26	12469	2	SPACER (P-CLAMP TO TRANSMISSION)	
27	41273	2	P-CLAMP, 1/2"	
28	82405	2	BOLT, HEX HEAD, 3/8-16 X 1-3/4 LONG	
29	85102	2	WASHER, FLAT, 3/8	
30	85135	2	LOCKWASHER, 3/8	
REV	DATE	BY		SHEET
A	03/20/2017	MPC		1 OF 1