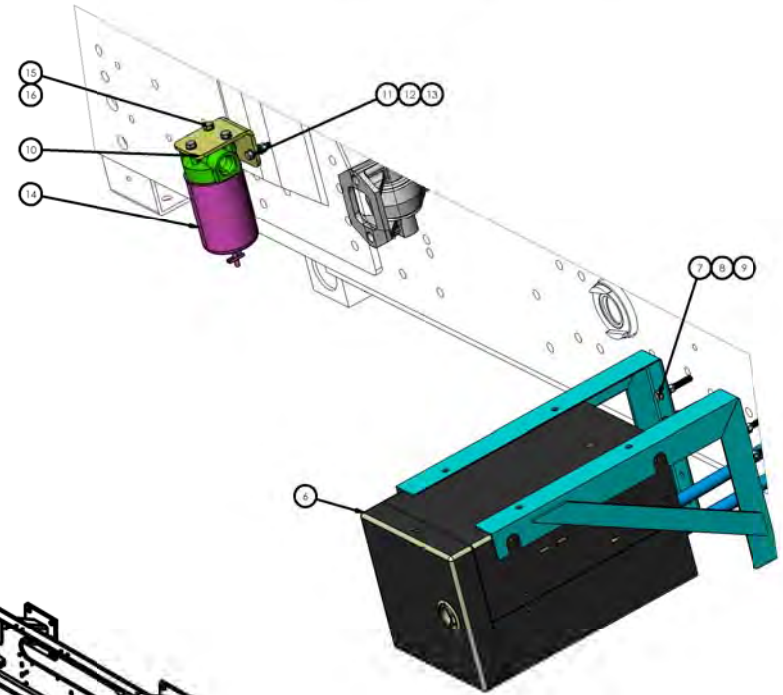
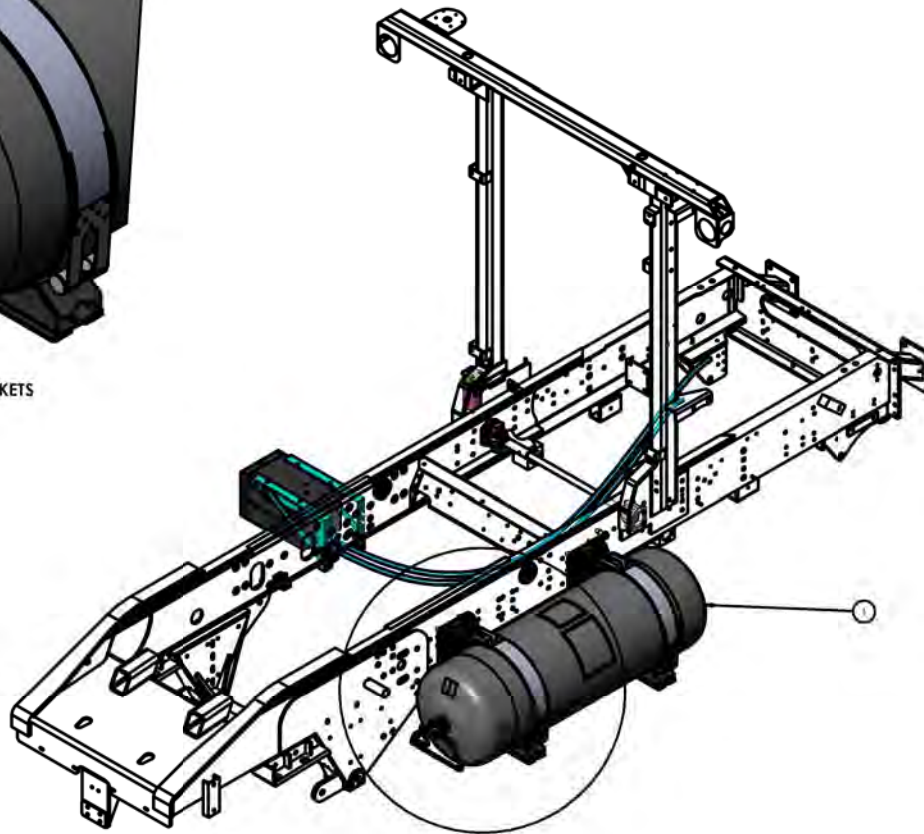


TANK MOUNTING BRACKETS



CNG FUEL MANAGEMENT MODULE

REV	DATE	BY	CHKD	APP'D	DESCRIPTION
1	5/20/17	SKA	SKA		ISSUED FOR MANUFACTURE
2					
3					
4					
5					
6					
7					
8					
9					
10					
11					
12					
13					
14					
15					
16					
17					
18					
19					
20					

DIMENSIONS ARE IN INCHES UNLESS OTHERWISE SPECIFIED FINISHES: NONE POLISH ANODIZE PAINT PLATE DO NOT SCALE DRAWING THE DRAWING IS THE PROPERTY OF TICO AND IS NOT TO BE REPRODUCED OR TRANSMITTED IN ANY FORM OR BY ANY MEANS, ELECTRONIC OR MECHANICAL, INCLUDING PHOTOCOPYING, RECORDING, OR BY ANY INFORMATION STORAGE AND RETRIEVAL SYSTEM. ALL RIGHTS ARE RESERVED. TICO AND ITS SUPPLIERS SHALL BE HELD HARMLESS FOR ANY DAMAGE OR LOSS OF PROFITS, REVENUE, OR BUSINESS, INCLUDING REASONABLE ATTORNEY'S FEES, ARISING OUT OF OR FROM THE USE OF THIS DRAWING.	TICO TICO MANUFACTURING 400 CUMMINS ROAD SW ROCKHAVEN, NC 27088 (843) 717-2200
TITLE: FUEL TANK & SYSTEM	SEE DWG. NO. 721515-E1
SCALE: 1:32 WEIGHT: 3802.22 SHEET 1 OF 1	REV

721515-E1

