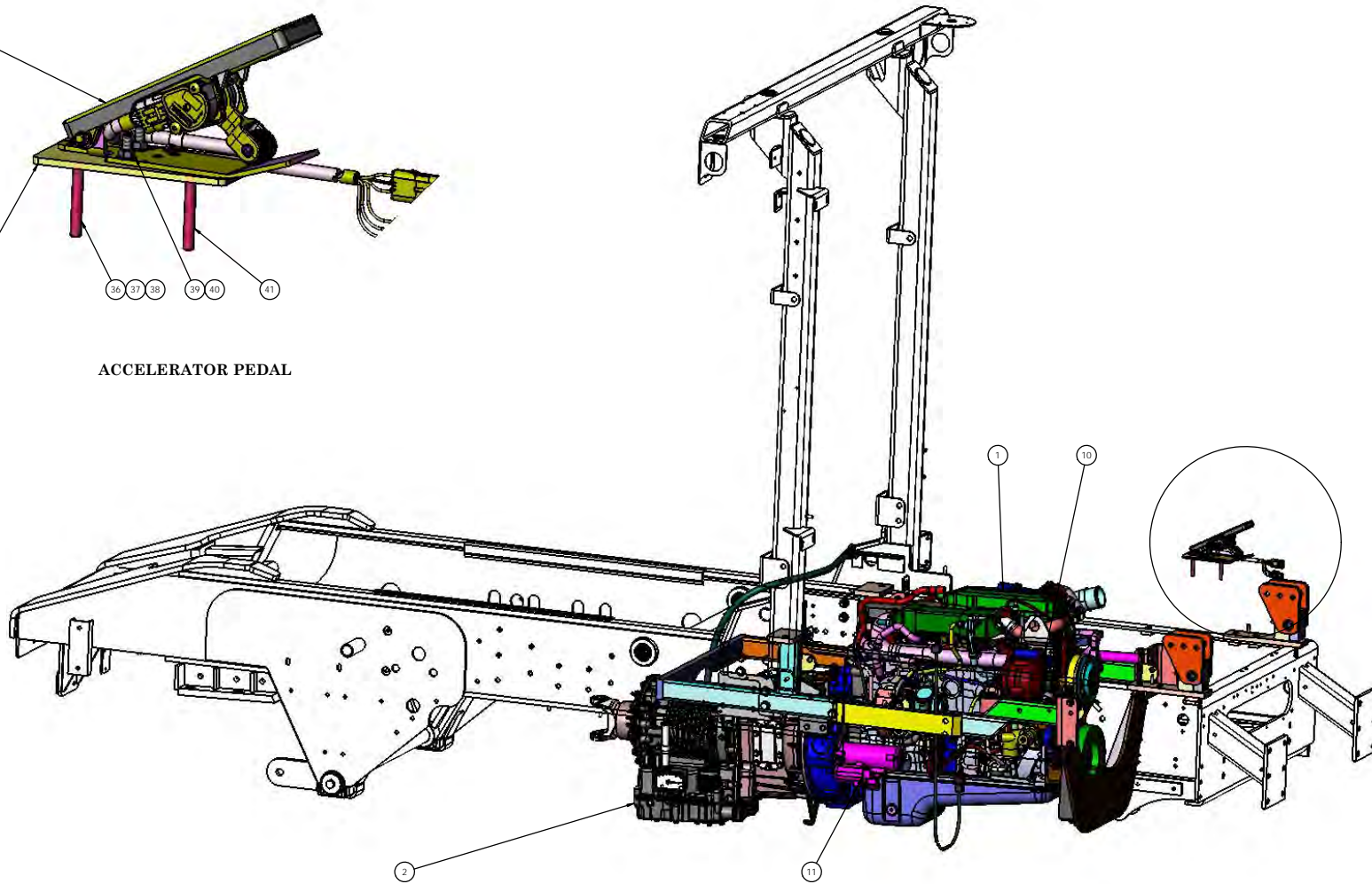


ACCELERATOR PEDAL



ENGINE & TRANSMISSION
 PAGE 1 GENERAL OVERVIEW
 PAGE 2 DETAIL VIEWS
 PAGE 3-5 PARTS LIST

DIMENSIONS ARE IN INCHES		NAME	DATE	WCO MANUFACTURING 88 CYPRUS ROAD DR. RIDGELAND, MS 39158 (843) 717-2226
TOLERANCES:	DECIMALS	DRAWN	MAL	
FRAC.	± .005	BY	8/28	
ANGULAR	± 0.1°	CHECKED	8/28	
FRACTIONAL	± .015"	APPROVED		
		(NOTED SCALE DRAWING) THE SUBJECT MATTER SHOWN AND DESCRIBED IN THE DRAWING AND ANY DIMENSIONS ARE UNLESS NOTED BY OTHERWISE INDICATED BY DIMENSIONS OR OTHERWISE NOTED BY ALL RIGHTS TO ANY PATENT, TRADE SECRET, OR OTHER INTELLECTUAL PROPERTY RIGHTS ARE RESERVED TO WCO MANUFACTURING, INC.		TITLE: ENGINE & TRANSMISSION
SCALE:	N/A	SIZE	DWG. NO.	REV
SEE NOTE		D	722023-B1	
REVISION:	N/A	SCALE: 1:32 [WEIGHT: 5521.03] SHEET 1 OF 2		

TICO PRO-SPOTTER				
ENGINE & TRANSMISSION 2017 EPA B6.7 200HP/RDS3000 GEN V				721483
ITEM	PART #	QTY/M	DESCRIPTION	
22	60981	1	MOUNT-REAR ENGINE LH	
23	60982	1	MOUNT-REAR ENGINE RH	
24	80240	12	BOLT-M12 x 1.5 x 35mm, HEX HD , 10.9	
			(APPLY LOCKTITE & TORQUE BOLTS TO 40 FT-LB)	
25	61678	2	ISOLATOR-REAR ENGINE	
26	61677-8	2	SPACER-BOLT	
27	60740	2	WASHER-3/4, REAR ENGINE MOUNT	
28	85095	2	WASHER, FLAT 3/4	
29	60740-1	2	WASHER-3/4, REAR ENGINE MOUNT	
30	82574	2	BOLT-3/4-10UNC x 5 1/2 LG HEX HD	
31	85029	1	NUT-3/4-10UNC NYLK	
32	90910	1	BRACKET-BATTERY CABLE SUPPORT	
33	61574	1	DIPSTICK-TRANSMISSION RDS	
NOT SHOWN	12091	1	SPACER	
NOT SHOWN	82382	3	BOLT, HEX 5/16-18 x 2 1/4 Lg	
NOT SHOWN	85112	8	WASHER, FLAT 5/16	
NOT SHOWN	85134	2	LOCKWASHER 5/16	
NOT SHOWN	40593	4	P-CLAMP	
NOT SHOWN	80349	1	STUD, 5/16-18 X 1"LG WELD	
NOT SHOWN	85035	1	LOCKNUT 5/16	
NOT SHOWN	62126	1	CLIP, DIPSTICK RETAINER	
NOT SHOWN	800458	1	M8-2.12 x 20MM HEX WASHER HEAD TAPPING SCREW	
NOT SHOWN	62037	1	SENSOR-AMBIENT AIR 2013-ISB	
NOT SHOWN	62044	1	BRACKET-SENSOR MOUNT	
NOT SHOWN	60061	1	PRESSURE STAT 10 Lbs	
NOT SHOWN	40467	1	FITTING, TEE STREET, 1/8 NPT	
NOT SHOWN	12091	1	SPACER-DIPSTICK	
NOT SHOWN	620913-2	1	HARNESS-2017 ENGINE, ISB, FRONT MOUNT PDC, 250k	
NOT SHOWN	620630	1	HARNESS-WIRE, 2017 GEN V ALLISON TRANSMISSION, CAB MOUNTED (250k)	
NOT SHOWN	91133	1	WIRE HARNESS-2 GA BK-Alt to Starter 33"	
NOT SHOWN	91221	1	WIRE HARNESS-2 GA RD	
NOT SHOWN	910621	1	CABLE - 2 GAUGE, RED, 1/4" x 3/8" LUGS x 42" LG	
NOT SHOWN	91232	1	WIRE ASS'Y-ECM GRD/BATT	
NOT SHOWN	61704	1	BRACKET-STANDOFF	
34	61640	1	PEDAL ACCELERATOR - ELECTRONIC ISB	
35	121418	1	ASSEMBLY, MOUNTING PLATE ELECTRIC THROTTLE (2017 CAB)	
REV	DATE	BY		SHEET
E	4/4/2018	MAL		2 OF 3

