



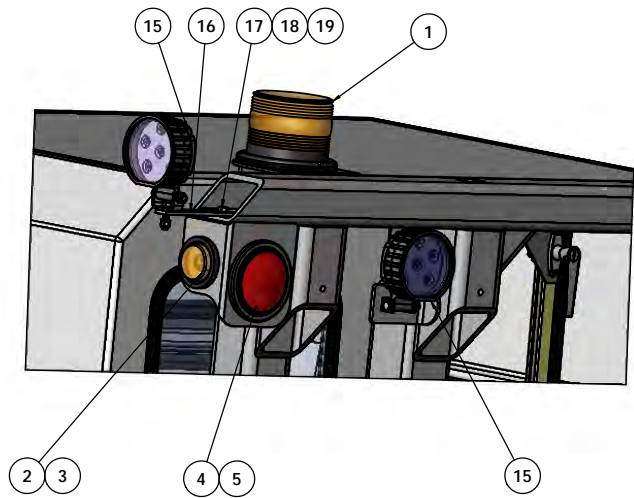
RH HEADLIGHT ASSEMBLY

LH HEADLIGHT ASSEMBLY

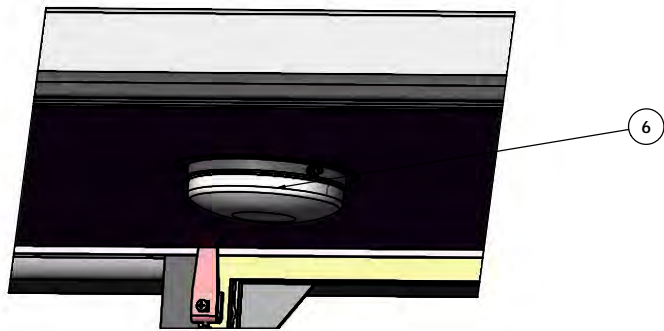
LIGHTS AND MOUNTING  
 PAGE 1 FRONT OVERVIEW  
 HEADLIGHTS  
 PAGE 2 REAR OVERVIEW  
 SIDE, AND TAIL LAMPS  
 PAGE 3 PART LIST

DIMENSIONS ARE IN INCHES		NAME	DATE	 WCO MANUFACTURING 88 CYPRESS RIDGE DR. ROCKLELAND, NC 29926 (843) 717-2226
DESIGNED	BY: M. B. BIR	DRAMAN	MAL	
DRAWN	BY: M. B. BIR	CHECKED		
APPROVED	BY: M. B. BIR	APPROVED		
DATE:	N/A	THE SUBJECT MATTER SHOWN AND DESCRIBED IN THE DRAWING AND ANY DIMENSIONS OR TOLERANCES SHOWN THEREIN ARE HEREBY ACCEPTED BY THE BUYER. THE BUYER'S USE OF THIS DRAWING SHALL BE LIMITED TO THE ORIGINAL INTENT AND PURPOSE. THIS DRAWING AND ANY INFORMATION CONTAINED HEREIN IS THE PROPERTY OF WCO MANUFACTURING AND IS NOT TO BE REPRODUCED OR TRANSMITTED IN ANY FORM OR BY ANY MEANS, ELECTRONIC OR MECHANICAL, FOR ANY PURPOSES WITHOUT THE EXPRESS WRITTEN PERMISSION OF WCO MANUFACTURING.		
SCALE:	1:32	SIZE	DWG. NO.	REV
WEIGHT:	0	D	721465-A1	
SHEET:	1 OF 2	SCALE: 1:32		WEIGHT: 0
				SHEET 1 OF 2

D 721465-FATL



LIGHTING CLUSTER



DOME LAMP



REFERENCES ARE IN INCHES	DATE	7/15/2017	TICO/TERMINAL SERVICE
DESIGNED BY: [blank]	ISSUED		AS CYRESS RIDGE DR.
CHECKED BY: [blank]	REVISIONS		RIDGELAND, SC 29169
APPROVED BY: [blank]	FUNCTIONAL	# 102	(843) 717-2226
REVISIONS	DESCRIPTION		
1	INITIAL SCALE CHANGES		
2			
3			
4			
5			
6			
7			
8			
9			
10			
11			
12			
13			
14			
15			
16			
17			
18			
19			
20			
21			
22			
23			
24			
25			
26			
27			
28			
29			
30			
31			
32			
33			
34			
35			
36			
37			
38			
39			
40			
41			
42			
43			
44			
45			
46			
47			
48			
49			
50			
51			
52			
53			
54			
55			
56			
57			
58			
59			
60			
61			
62			
63			
64			
65			
66			
67			
68			
69			
70			
71			
72			
73			
74			
75			
76			
77			
78			
79			
80			
81			
82			
83			
84			
85			
86			
87			
88			
89			
90			
91			
92			
93			
94			
95			
96			
97			
98			
99			
100			

SCALE: 1:32	WEIGHT: 0	SHEET 2 OF 2
-------------	-----------	--------------

D 721465-A1

