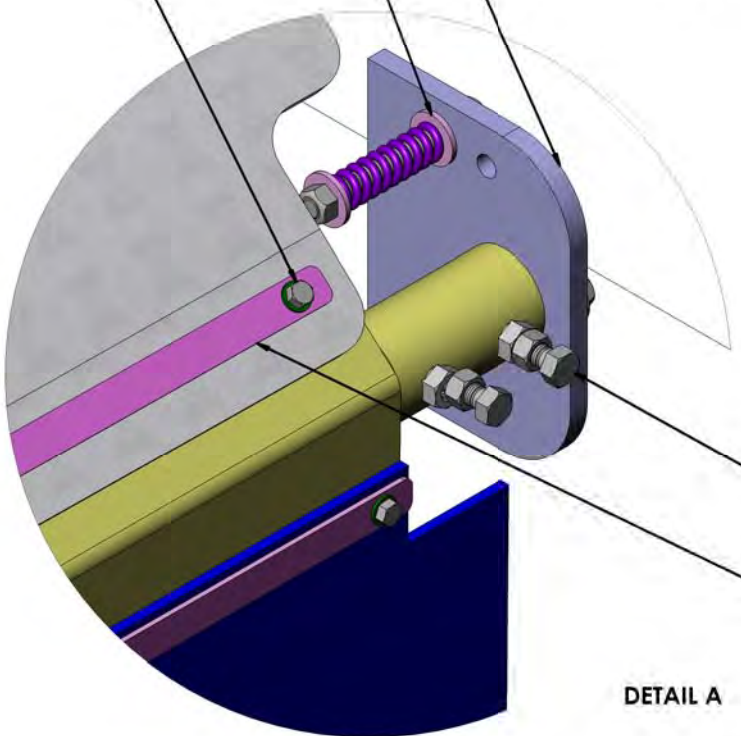


8 9 10

17 18 19 20

16



DETAIL A

1

14

12

13

8

15

7

2

8

4

DIMENSIONS ARE IN INCHES

TOLERANCES:
 DECIMAL:
 .XX ± 0.06
 .XXX ± 0.03
 .XXXX ± 0.005
 ANGULAR: ± 0.5°
 FRACTIONAL: 1/32"

INTERPRET GEOMETRIC TOLERANCING PER: ASME Y14.5M-1994
 MATERIAL:
 FINISH:
 THICKNESS:

DRAWN	MAJ	01/26/2017
CHECKED		
APPROVED		

DO NOT SCALE DRAWING

THE SUBJECT MATTER SHOWN AND DESCRIBED IN THIS DRAWING AND ANY OTHER INFORMATION ADVANCED IN CONNECTION THEREWITH IS PROPRIETARY PROPERTY AND IS TO BE HELD IN STRICT CONFIDENCE BY YOU. ALL RIGHTS TO ANY INVENTIONS, DESIGN, TRADE MARKS, TRADE NAME AND COPYRIGHTS DECLARED ARE RESERVED TO TICO TERMINAL SERVICES, INC.

TICO TICO/TERMINAL SERVICE
 66 CYPRESS RIDGE DR.
 RIDGELAND, SC 29936
 (843) 717-2226

TITLE: FENDER-REAR

SIZE	DWG. NO.	REV
C	721460-B1	

SCALE: 1:32 | WEIGHT: 870.12 | SHEET 1 OF 1

TICO PRO-SPOTTER

FENDER, REAR, FULL RUBBER & FLAPS F&R, GALV, PSI CNG **721460**

ITEM	PART #	QTY/M	DESCRIPTION	
	721460-B1	REF	FENDER, REAR FULL RUBBER & FLAPS	
1	12964-LH	1	FENDER SUPPORT ASSY LH FRONT, GALV	
	10962-1	1	PIPE REAR FENDER EXTENSION	
	12268-1	1	BAR MUD FLAP EXTENSION	
	80355	2	WELDNUT 1/2-13	
2	12964-LH	1	FENDER SUPPORT ASSY LH FRONT, GALV	
	10962-1	1	PIPE REAR FENDER EXTENSION	
	12268-1	1	BAR MUD FLAP EXTENSION	
	80355	2	WELDNUT 1/2-13	
3	12965-LH	1	FENDER SUPPORT ASSY LH REAR, GALV	
	10961-1	1	MUD FLAP PIPE REAR	
	12269-1	1	MOUNT PLATE REAR	
4	12965-RH	1	FENDER SUPPORT ASSY RH REAR, GALV	
	10961-1	1	MUD FLAP PIPE REAR	
	12269-1	1	MOUNT PLATE REAR	
5	121804	1	FENDER, REAR FULL, PSI, RHS	
6	12272-LH	1	FENDER- FULL LH	
7	12409	4	MUDFLAP - RUBBER	
8	10963-2	8	BAR - REAR MUDFLAP	
9	80316	24	BOLT - HEX 3/8-16 X 1-1/4 LG SS	
10	80320	24	NUT NYLOCK 3/8-16 SS	
11	80314	48	WASHER 3/8 SS	
12	82396	8	BOLT - HEX 1/2-13 X 1-1/2 LG	
13	85005	8	NUT 1/2-13	
14	91515	2	PLUG 1 5/8" OD	
15	91515-2	2	PLUG 2" OD	
REV	DATE	BY		SHEET
B	01/26/2017	MAL		1 OF

TICO MANUFACTURING - RIDGELAND, SC 29936

