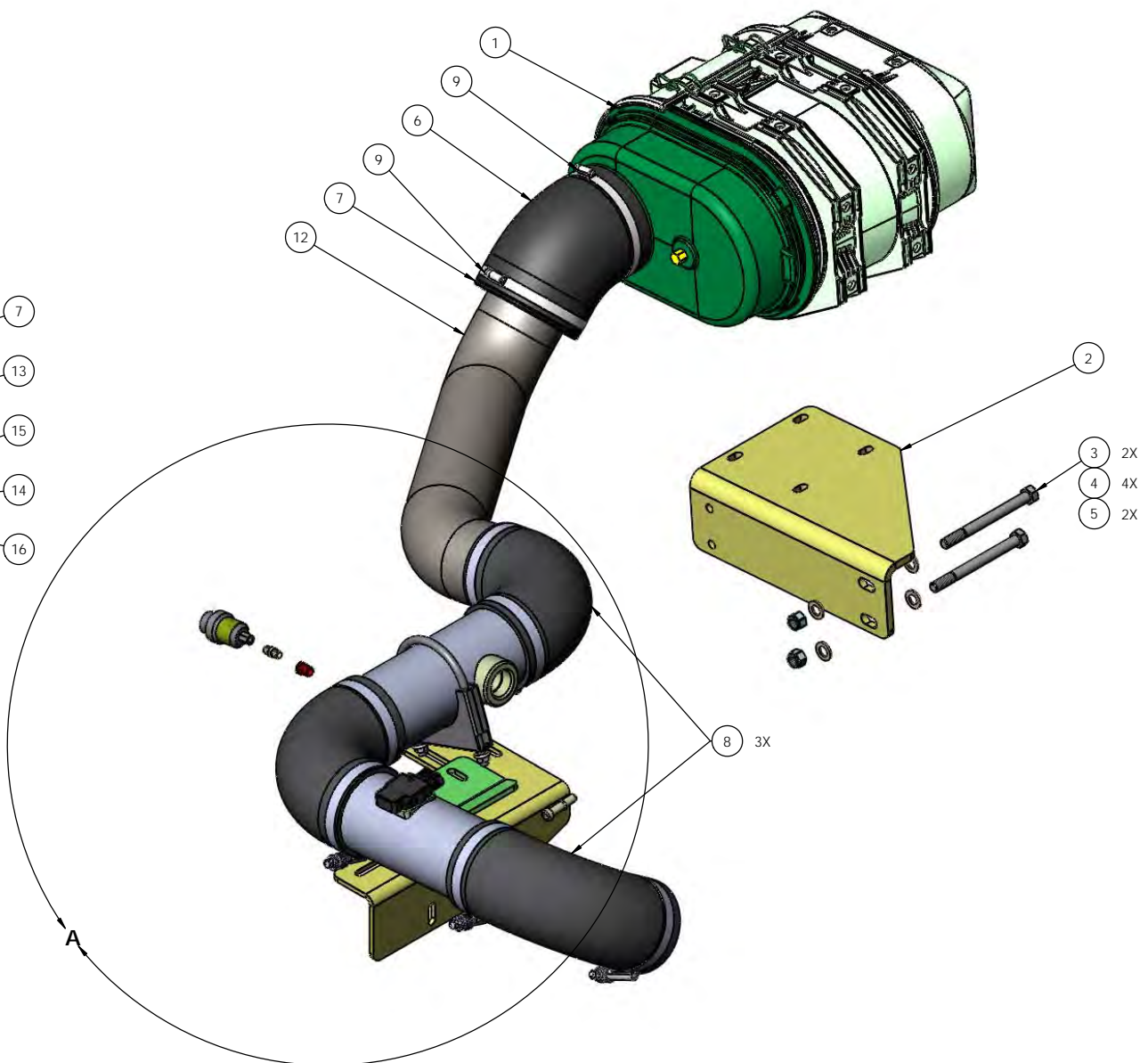


DETAIL A



DIMENSIONS ARE IN INCHES		NAME	DATE	TICO/TERMINAL SERVICE 66 CYPRESS RIDGE DR. RIDGELAND, SC 29936 (843) 717-2226	
TOLERANCES:		DRAWN	MAL		12/06/2016
DECIMAL:		CHECKED			
.XX ± 0.06 .XXX ± 0.03 .XXXX ± 0.005 ANGULAR ± 0.5° FRACTIONAL ± 1/32"		APPROVED			
INTERPRET GEOMETRIC TOLERANCING PER: ASME 14.5M-1994		DO NOT SCALE DRAWING			TITLE:
MATERIAL: N/A		THE SUBJECT MATTER SHOWN AND DESCRIBED IN THIS DRAWING AND ANY OTHER INFORMATION ADVANCED IN CONNECTION THEREWITH IS PROPRIETARY PROPERTY AND IS TO BE HELD IN STRICT CONFIDENCE BY YOU. ALL RIGHTS TO ANY INVENTIONS, DESIGNS, TRADE MARKS, TRADE NAMES AND COPYRIGHTS DISCLOSED ARE RESERVED TO TICO TERMINAL SERVICES, INC.			AIR INTAKE SYSTEM 2016 PSI 8.8L CNG
FINISH: SEE NOTE		SIZE	DWG. NO.	REV	
THICKNESS: N/A		C	721459-C1		
		SCALE: 1:12	WEIGHT: 94.96	SHEET 1 OF 1	



