

DIMENSIONS ARE IN INCHES  
 TOLERANCES:  
 DECIMAL:  
 X.X ± 0.06  
 X.XX ± 0.03  
 X.XXX ± 0.005  
 ANGULAR:  
 ± 0.5°  
 FRACTIONAL ± 1/32"

INTERPRET GEOMETRIC TOLERANCING  
 PER: ASME 14.5M-1994

MATERIAL


FINISH

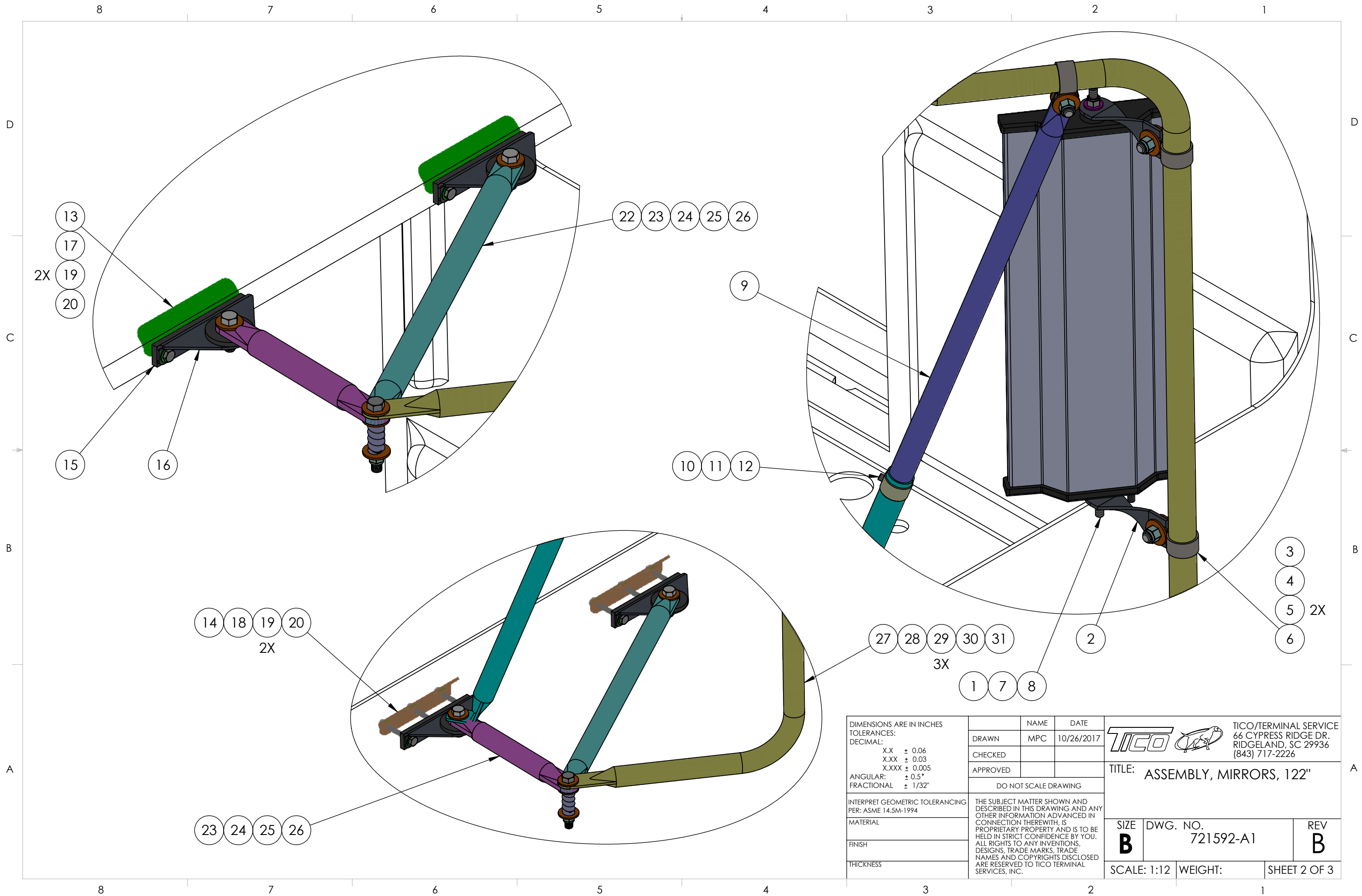
THICKNESS


	NAME	DATE
DRAWN	MPC	10/26/2017
CHECKED		
APPROVED		

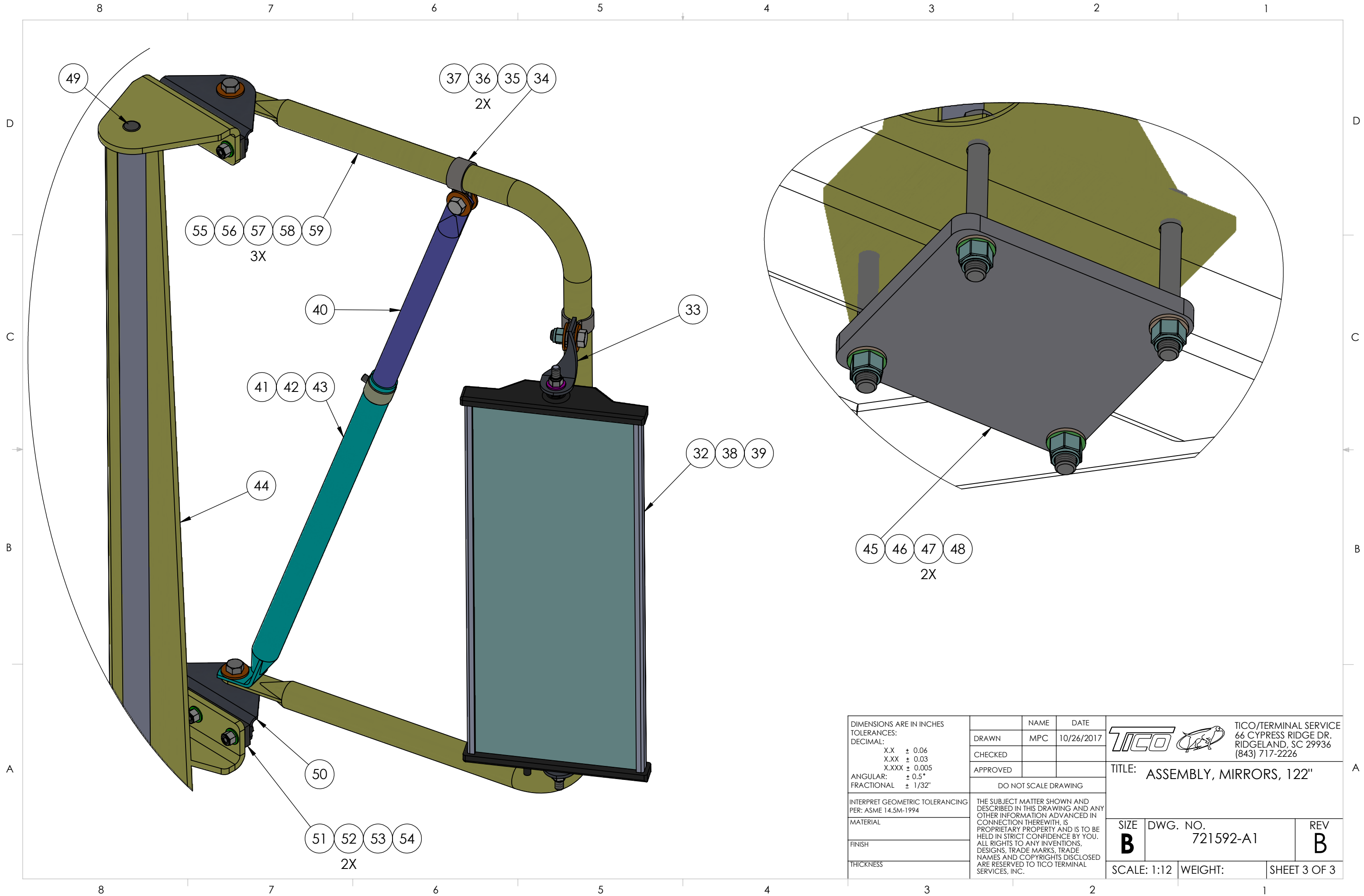
DO NOT SCALE DRAWING

THE SUBJECT MATTER SHOWN AND DESCRIBED IN THIS DRAWING AND ANY OTHER INFORMATION ADVANCED IN CONNECTION THEREWITH, IS PROPRIETARY PROPERTY AND IS TO BE HELD IN STRICT CONFIDENCE BY YOU. ALL RIGHTS TO ANY INVENTIONS, DESIGNS, TRADE MARKS, TRADE NAMES AND COPYRIGHTS DISCLOSED ARE RESERVED TO TICO TERMINAL SERVICES, INC.

 TICO/TERMINAL SERVICE 66 CYPRESS RIDGE DR. RIDGELAND, SC 29936 (843) 717-2226		
TITLE: ASSEMBLY, MIRRORS, 122"		
SIZE <b>B</b>	DWG. NO. 721592-A1	REV <b>B</b>
SCALE: 1:12	WEIGHT:	SHEET 1 OF 3



DIMENSIONS ARE IN INCHES TOLERANCES: DECIMAL: X.X ± 0.06 X.XX ± 0.03 X.XXX ± 0.005 ANGULAR: ± 0.5° FRACTIONAL ± 1/32"	NAME	DATE	 TICO/TERMINAL SERVICE 66 CYPRESS RIDGE DR. RIDGELAND, SC 29936 (843) 717-2226	
	DRAWN	MPC		10/26/2017
	CHECKED			
	APPROVED			
INTERPRET GEOMETRIC TOLERANCING PER: ASME 14.5M-1994	DO NOT SCALE DRAWING		TITLE: ASSEMBLY, MIRRORS, 122"	
MATERIAL	THE SUBJECT MATTER SHOWN AND DESCRIBED IN THIS DRAWING AND ANY OTHER INFORMATION ADVANCED IN CONNECTION THEREWITH, IS PROPRIETARY PROPERTY AND IS TO BE HELD IN STRICT CONFIDENCE BY YOU. ALL RIGHTS TO ANY INVENTIONS, DESIGNS, TRADE MARKS, TRADE NAMES AND COPYRIGHTS DISCLOSED ARE RESERVED TO TICO TERMINAL SERVICES, INC.		SIZE <b>B</b>	
FINISH			DWG. NO. 721592-A1	
THICKNESS			REV <b>B</b>	
	SCALE: 1:12	WEIGHT:	SHEET 2 OF 3	



DIMENSIONS ARE IN INCHES  
 TOLERANCES:  
 DECIMAL:  
 X.X ± 0.06  
 X.XX ± 0.03  
 X.XXX ± 0.005  
 ANGULAR: ± 0.5°  
 FRACTIONAL ± 1/32"

INTERPRET GEOMETRIC TOLERANCING PER: ASME 14.5M-1994

MATERIAL

FINISH

THICKNESS

	NAME	DATE
DRAWN	MPC	10/26/2017
CHECKED		
APPROVED		



TICO/TERMINAL SERVICE  
 66 CYPRESS RIDGE DR.  
 RIDGELAND, SC 29936  
 (843) 717-2226

TITLE: ASSEMBLY, MIRRORS, 122"

THE SUBJECT MATTER SHOWN AND DESCRIBED IN THIS DRAWING AND ANY OTHER INFORMATION ADVANCED IN CONNECTION THEREWITH, IS PROPRIETARY PROPERTY AND IS TO BE HELD IN STRICT CONFIDENCE BY YOU. ALL RIGHTS TO ANY INVENTIONS, DESIGNS, TRADE MARKS, TRADE NAMES AND COPYRIGHTS DISCLOSED ARE RESERVED TO TICO TERMINAL SERVICES, INC.

SIZE <b>B</b>	DWG. NO. 721592-A1	REV <b>B</b>
SCALE: 1:12	WEIGHT:	SHEET 3 OF 3



