

DIMENSIONS ARE IN INCHES
 TOLERANCES:
 DECIMAL:
 X.X ± 0.06
 X.XX ± 0.03
 X.XXX ± 0.005
 ANGULAR:
 ± 0.5°
 FRACTIONAL ± 1/32"

INTERPRET GEOMETRIC TOLERANCING
 PER: ASME 14.5M-1994

MATERIAL


FINISH

THICKNESS

	NAME	DATE
DRAWN	MPC	10/3/2017
CHECKED		
APPROVED		

DO NOT SCALE DRAWING

THE SUBJECT MATTER SHOWN AND DESCRIBED IN THIS DRAWING AND ANY OTHER INFORMATION ADVANCED IN CONNECTION THEREWITH, IS PROPRIETARY PROPERTY AND IS TO BE HELD IN STRICT CONFIDENCE BY YOU. ALL RIGHTS TO ANY INVENTIONS, DESIGNS, TRADE MARKS, TRADE NAMES AND COPYRIGHTS DISCLOSED ARE RESERVED TO TICO TERMINAL SERVICES, INC.

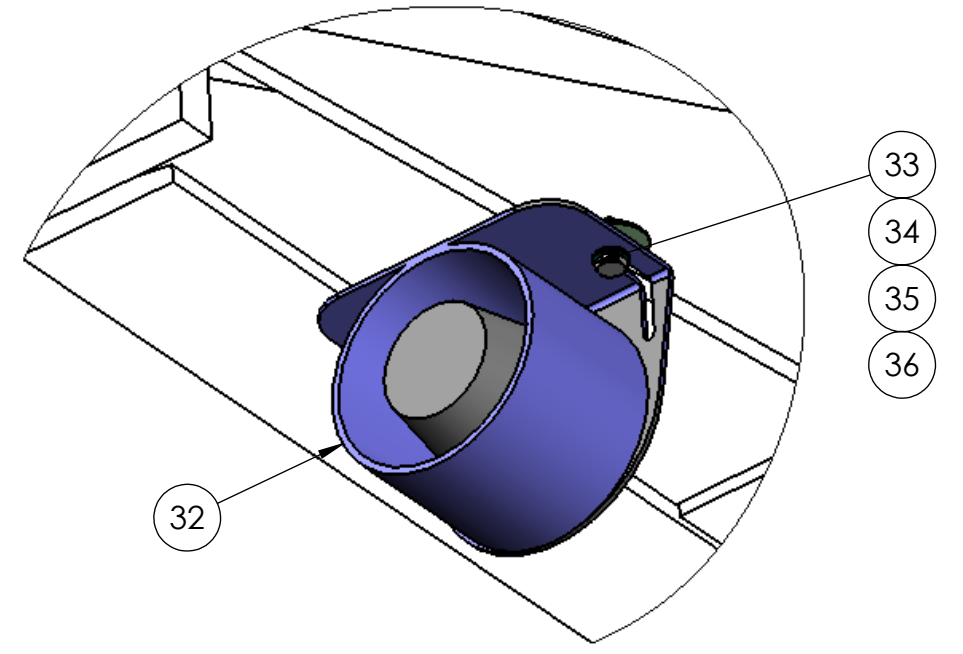
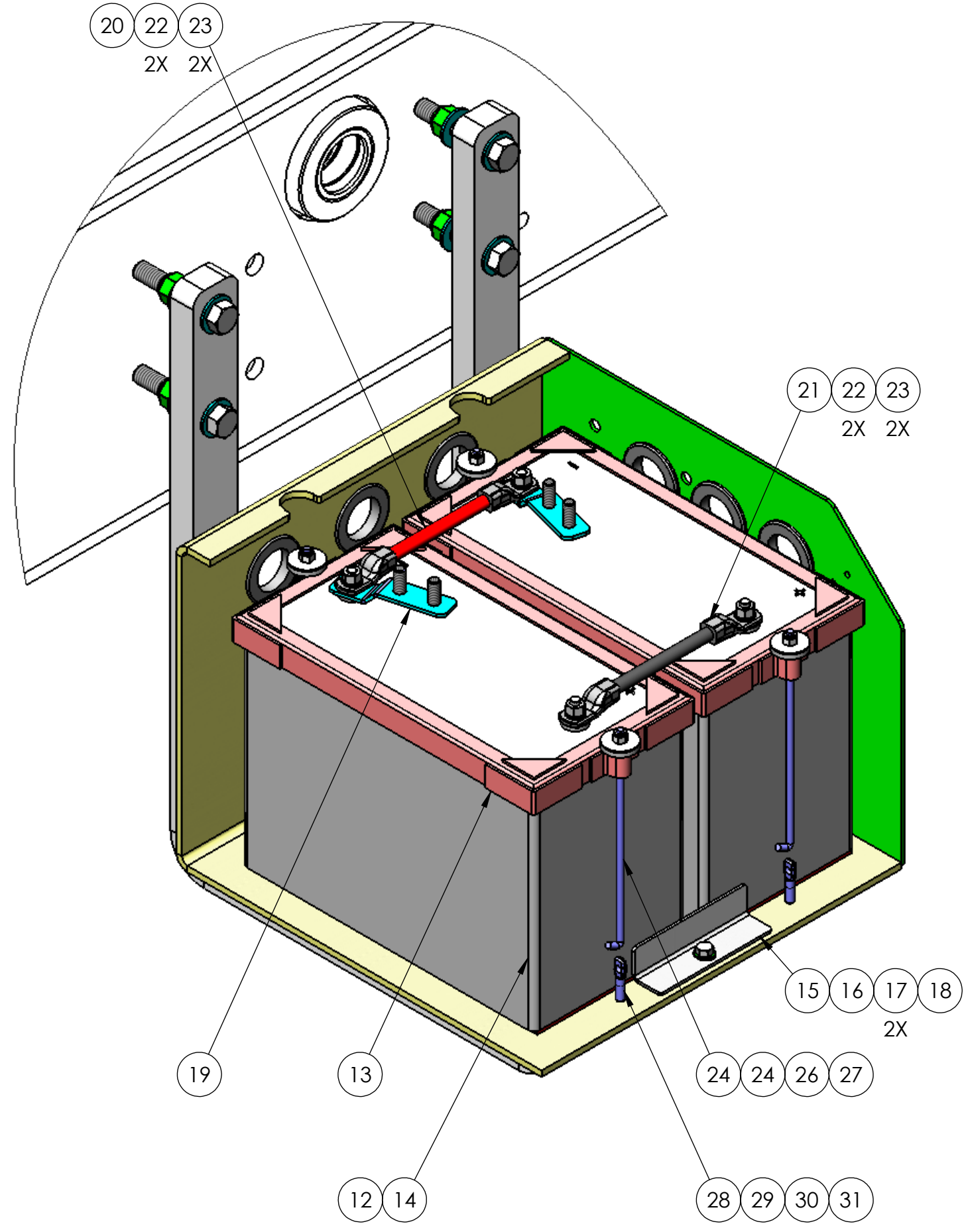
 TICO/TERMINAL SERVICE 66 CYPRESS RIDGE DR. RIDGELAND, SC 29936 (843) 717-2226		
TITLE: ASSEMBLY, BATTERY & WIRING		
SIZE B	DWG. NO. 721438-A1	REV B
SCALE: 1:14	WEIGHT:	SHEET 1 OF 3

- 1
 - 2
 - 3
 - 4
 - 5
 - 6
 - 7
 - 8
 - 9
 - 10
 - 11
- 2X

8 7 6 5 4 3 2 1

D
C
B
A

D
C
B
A

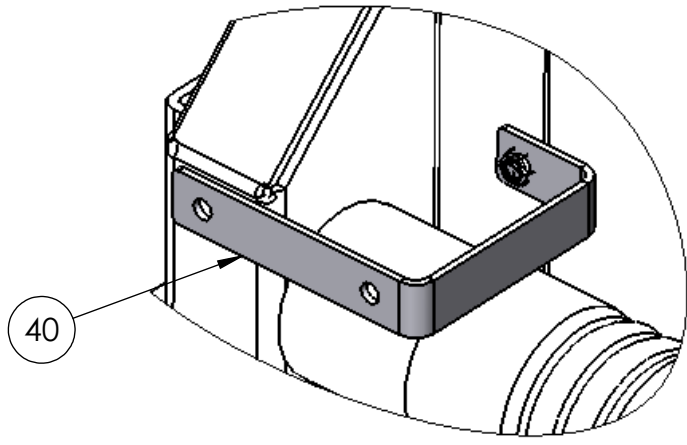
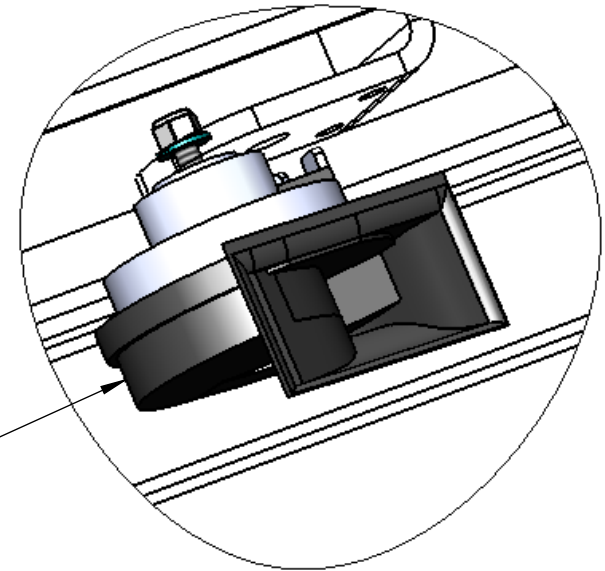


DIMENSIONS ARE IN INCHES TOLERANCES: DECIMAL: X.X ± 0.06 X.XX ± 0.03 X.XXX ± 0.005 ANGULAR: ± 0.5° FRACTIONAL ± 1/32"	DRAWN MPC	NAME MPC	DATE 10/3/2017	TICO/TERMINAL SERVICE 66 CYPRESS RIDGE DR. RIDGELAND, SC 29936 (843) 717-2226			
	CHECKED	APPROVED	TITLE: ASSEMBLY, BATTERY & WIRING				
	DO NOT SCALE DRAWING				SIZE B	DWG. NO. 721438-A1	REV B
	INTERPRET GEOMETRIC TOLERANCING PER: ASME 14.5M-1994	THE SUBJECT MATTER SHOWN AND DESCRIBED IN THIS DRAWING AND ANY OTHER INFORMATION ADVANCED IN CONNECTION THEREWITH, IS PROPRIETARY PROPERTY AND IS TO BE HELD IN STRICT CONFIDENCE BY YOU. ALL RIGHTS TO ANY INVENTIONS, DESIGNS, TRADE MARKS, TRADE NAMES AND COPYRIGHTS DISCLOSED ARE RESERVED TO TICO TERMINAL SERVICES, INC.			SCALE: 1:14	WEIGHT:	SHEET 2 OF 3

8 7 6 5 4 3 2 1


8 7 6 5 4 3 2 1

D
C
B
A



42 45 46 47
2X

41 44 46 47
2X

DIMENSIONS ARE IN INCHES TOLERANCES: DECIMAL: X.X ± 0.06 X.XX ± 0.03 X.XXX ± 0.005 ANGULAR: ± 0.5° FRACTIONAL ± 1/32"	NAME	DATE	 TICO/TERMINAL SERVICE 66 CYPRESS RIDGE DR. RIDGELAND, SC 29936 (843) 717-2226	
	DRAWN	MPC		10/3/2017
	CHECKED			
	APPROVED			
INTERPRET GEOMETRIC TOLERANCING PER: ASME 14.5M-1994	DO NOT SCALE DRAWING		TITLE: ASSEMBLY, BATTERY & WIRING	
MATERIAL FINISH THICKNESS	THE SUBJECT MATTER SHOWN AND DESCRIBED IN THIS DRAWING AND ANY OTHER INFORMATION ADVANCED IN CONNECTION THEREWITH, IS PROPRIETARY PROPERTY AND IS TO BE HELD IN STRICT CONFIDENCE BY YOU. ALL RIGHTS TO ANY INVENTIONS, DESIGNS, TRADE MARKS, TRADE NAMES AND COPYRIGHTS DISCLOSED ARE RESERVED TO TICO TERMINAL SERVICES, INC.		SIZE B DWG. NO. 721438-A1 SCALE: 1:14	
			REV B WEIGHT: SHEET 3 OF 3	

8 7 6 5 4 3 2 1

TICO PRO-SPOTTER				
BATTERY & WIRING, 2016 QSB-IV, 116" WB, 2-730 CCA BATTERY, STD, CHASSIS PDC				721438
ITEM	PART #	QTY/M	DESCRIPTION	
32	91250	1	BACKUP ALARM ASSEMBLY STANDARD VELVAC	
NS	62167	1	HARNESS-BACK UP ALARM	
33	82359	2	BOLT, HEX HEAD, 1/4-20 x 3/4 LONG	
34	85089	1	WASHER, FLAT, 1/4	
35	80129	2	WASHER, FENDER, 1/4" ID X 1-1/4" OD	
36	85023	2	LOCKNUT, NYLOCK, COARSE, 1/4-20	
37	90207	1	HORN, ELECTRIC	
38	85089	1	WASHER, FLAT 1/4	
39	85023	1	LOCKNUT, NYLON, 1/4-20	
40	62265	1	BRACKET-C,FRAME WIRING STAND-OFF	
41	62407	1	HARNESS PDC CHASSIS TIER IV FINAL	
42	91938	1	COVER ASSEMBLY PDC WITH SPRAY SUPPRESSED	
43	61597	1	PDC COVER SPACER	
44	82460	2	BOLT, HEX HEAD, 3/8	
45	82383	2	BOLT, 3/8-16, 1-1/4 LG, GRD 8	
46	85091	9	WASHER, FLAT, 3/8	
47	85025	2	LOCKNUT, NYLON, 3/8-16	
NS	90870	14	RELAY 50 AMP W/BRACKET WAYTEK	
NS	91268	4	SHRINK TUBING - 2" ID, 6" LG	
NS	91021	1	FUSE, ATO/ATC 5AMP, TAN	
NS	91027	1	FUSE, ATO/ATC 30AMP, GREEN	
NS	91023	3	FUSE, ATO/ATC 10AMP, RED	
NS	91025	15	FUSE, ATO/ATC 20AMP, YELLOW	
NS	91889	36	TRIM-EDGE RUBBER W/HOT MELT ADHESIVE	
NS	620547	1	HARNESS-2016 CAB PDC, QSB-IV, SPLIT FLOODS, ELEC HEAT CONTRL, AUX POWER	
NS	61558	1	HARNESS,CAB POWER,W/CRADLE	
NS	61521	1	HARNESS,CAB (1 FAN/DOMELIGHT)	
NS	620497	1	HARNESS-EXTERIOR LIGHTING, SEPARATE WORK LTS,ISB/IV	
NS	61535	1	HARNESS,TAIL LIGHTS, REAR	
NS	61559	1	HARNESS,SPITTER VALVE W/CRADLE	
NS	91171	1	WIRE ASSY-AIR INTAKE HEATER ISB-10	
NS	920042	1	WIRE ASSY, 6 GA, BLK, 5/16" x 5/16, 95", ENG TO FRAME	
NS	910327	1	WIRE ASSY-6GA BLACK 24", CHASSIS PDC TO FRAME	
NS	920043	2	WIRE ASSY, 10 GA, WHT, 5/16" x 5/16, 76", FLR TO PDC	
NS	91132	1	CABLE 6GA BLACK-GROUND-36" WIRE LENGTH	
REV	DATE	BY		SHEET
A	11/11/2019	MAL		2 OF

