
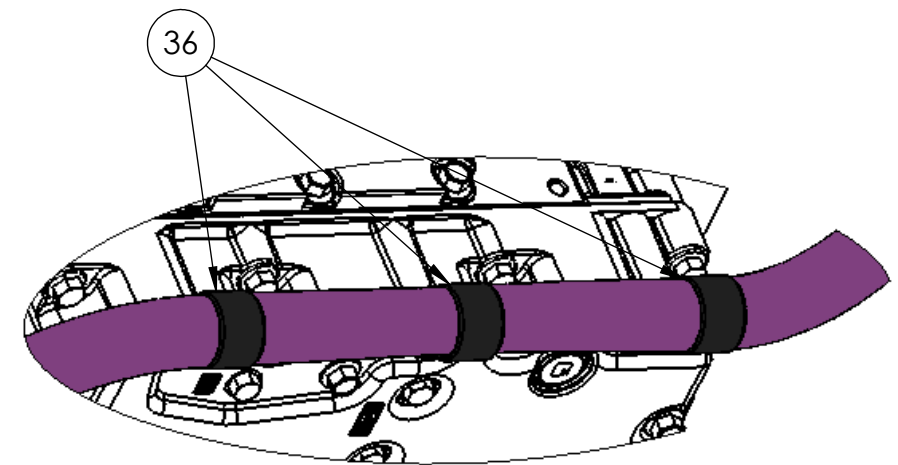
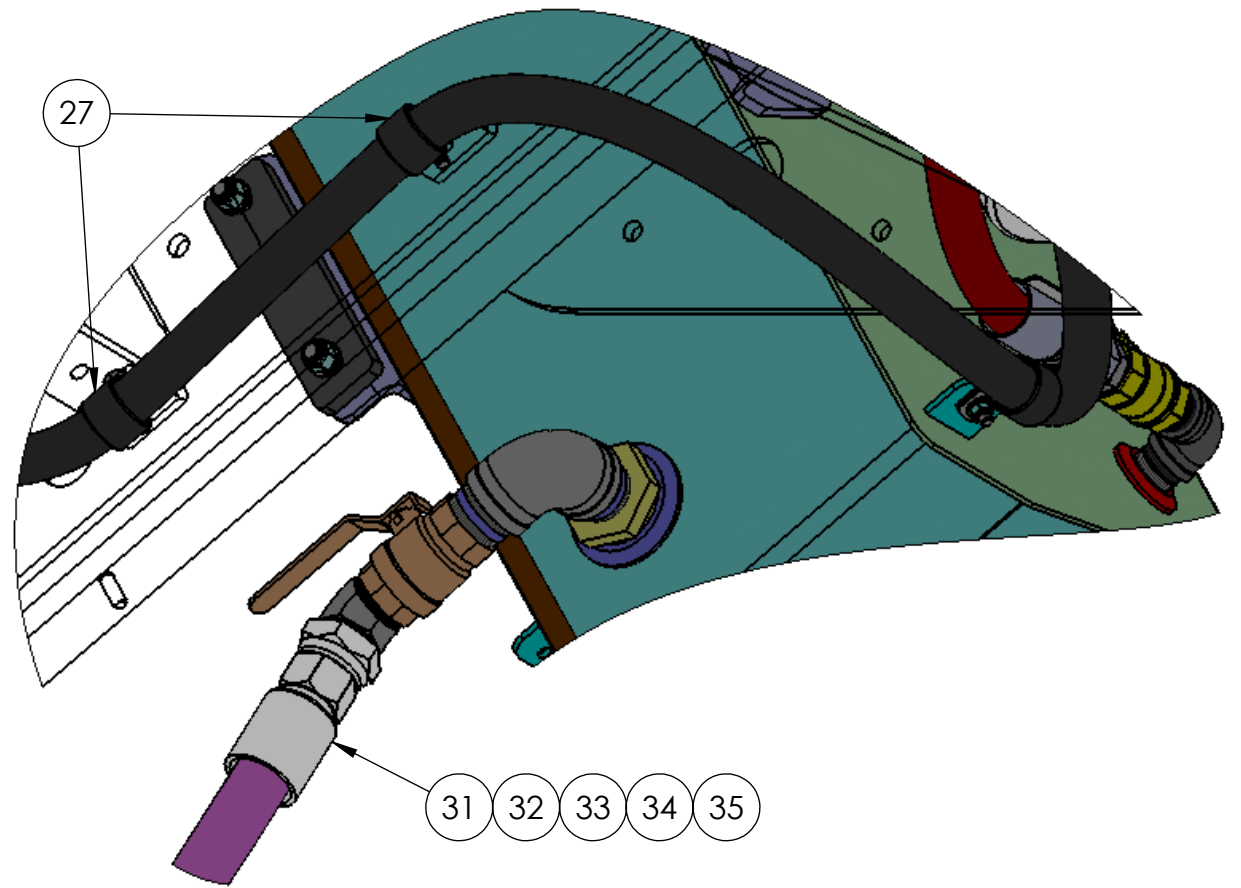
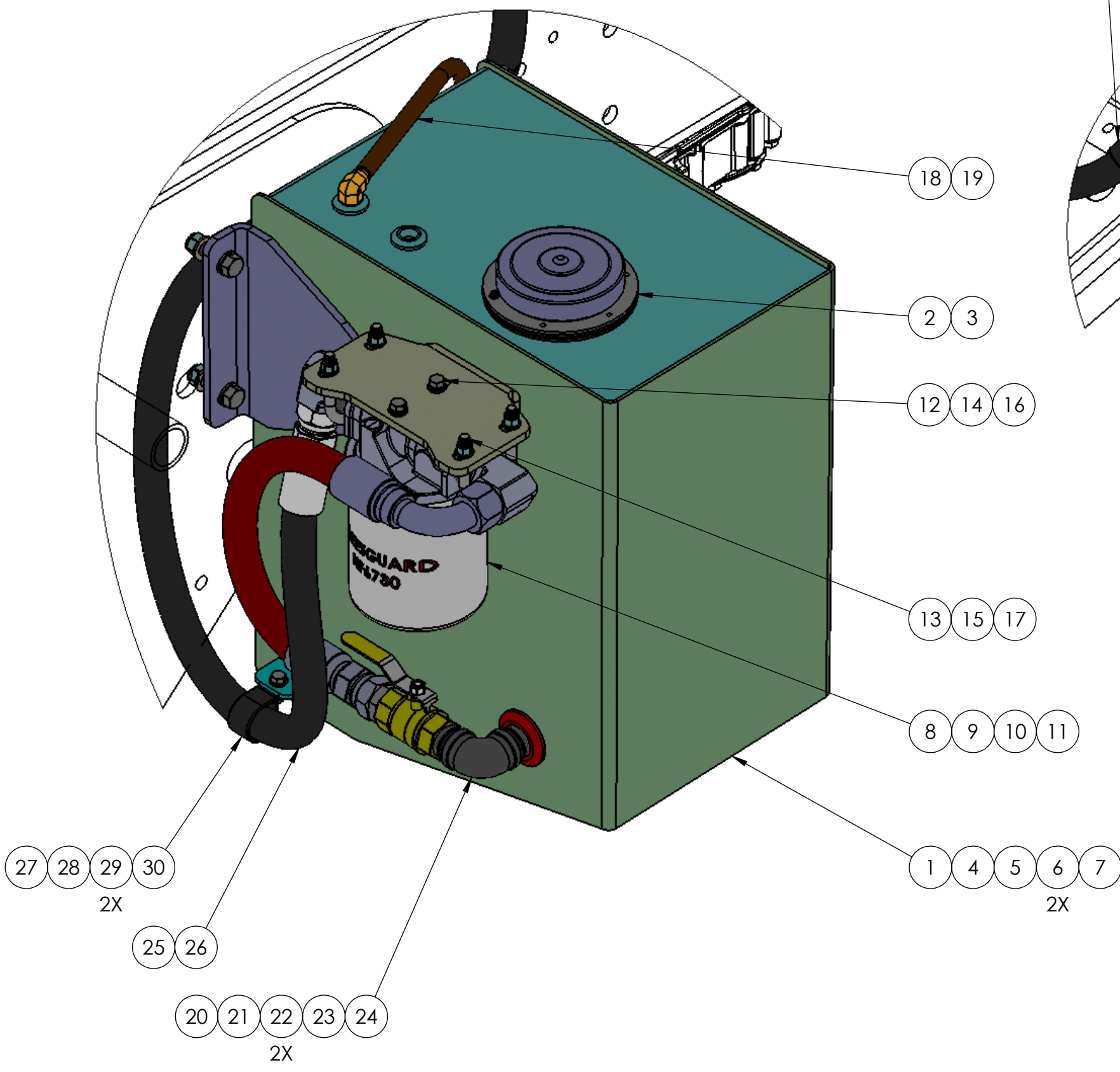



DIMENSIONS ARE IN INCHES TOLERANCES: DECIMAL: X.X ± 0.06 X.XX ± 0.03 X.XXX ± 0.005 ANGULAR: ± 0.5° FRACTIONAL ± 1/32"	DRAWN	NAME	DATE	 TICO MANUFACTURING 66 CYPRESS RIDGE DR. RIDGELAND, SC 29936 (843) 717-2226
	CHECKED	MPC	09/19/2017	
	APPROVED			
	DO NOT SCALE DRAWING			
MATERIAL	THE SUBJECT MATTER SHOWN AND DESCRIBED IN THIS DRAWING AND ANY OTHER INFORMATION ADVANCED IN CONNECTION THEREWITH, IS PROPRIETARY PROPERTY AND IS TO BE HELD IN STRICT CONFIDENCE BY YOU. ALL RIGHTS TO ANY INVENTIONS, DESIGNS, TRADE MARKS, TRADE NAMES AND COPYRIGHTS DISCLOSED ARE RESERVED TO TICO TERMINAL SERVICES, INC.			TITLE: ASSEMBLY, HYDRAULIC SYSTEM
FINISH	SIZE	DWG. NO.	REV	
THICKNESS	<b>B</b>	721420-A1	<b>A</b>	
	SCALE: 1:11	WEIGHT:	SHEET 1 OF 4	

8 7 6 5 4 3 2 1

D  
C  
B  
A

D  
C  
B  
A



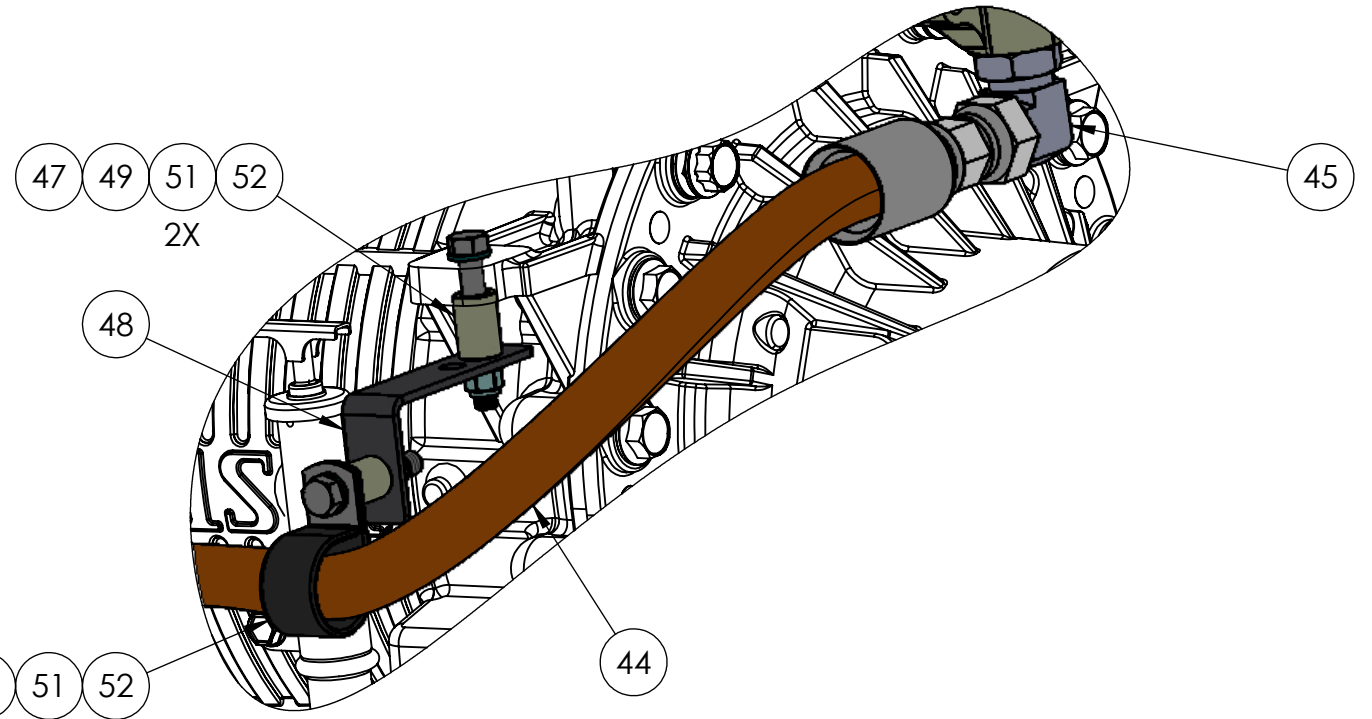
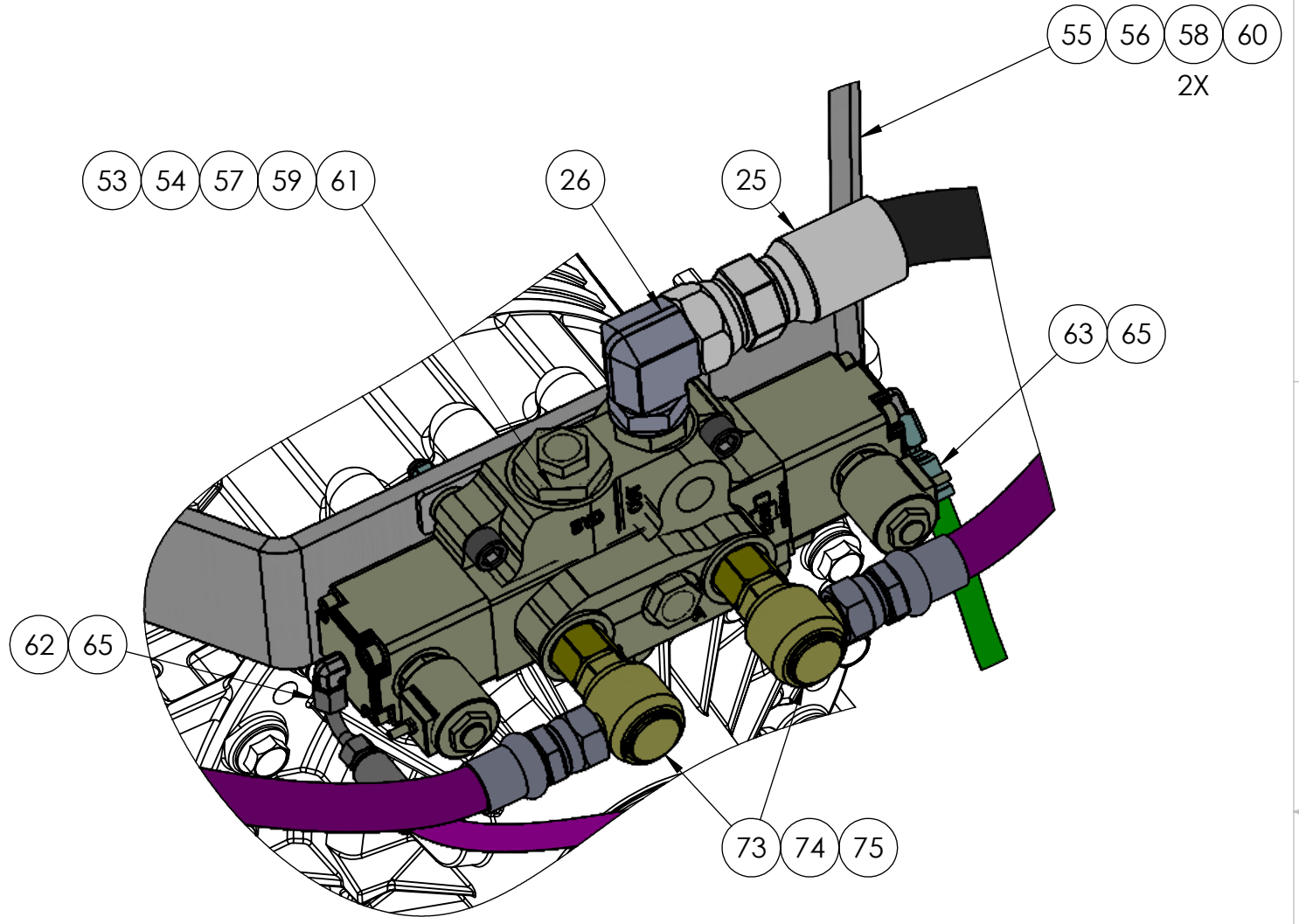
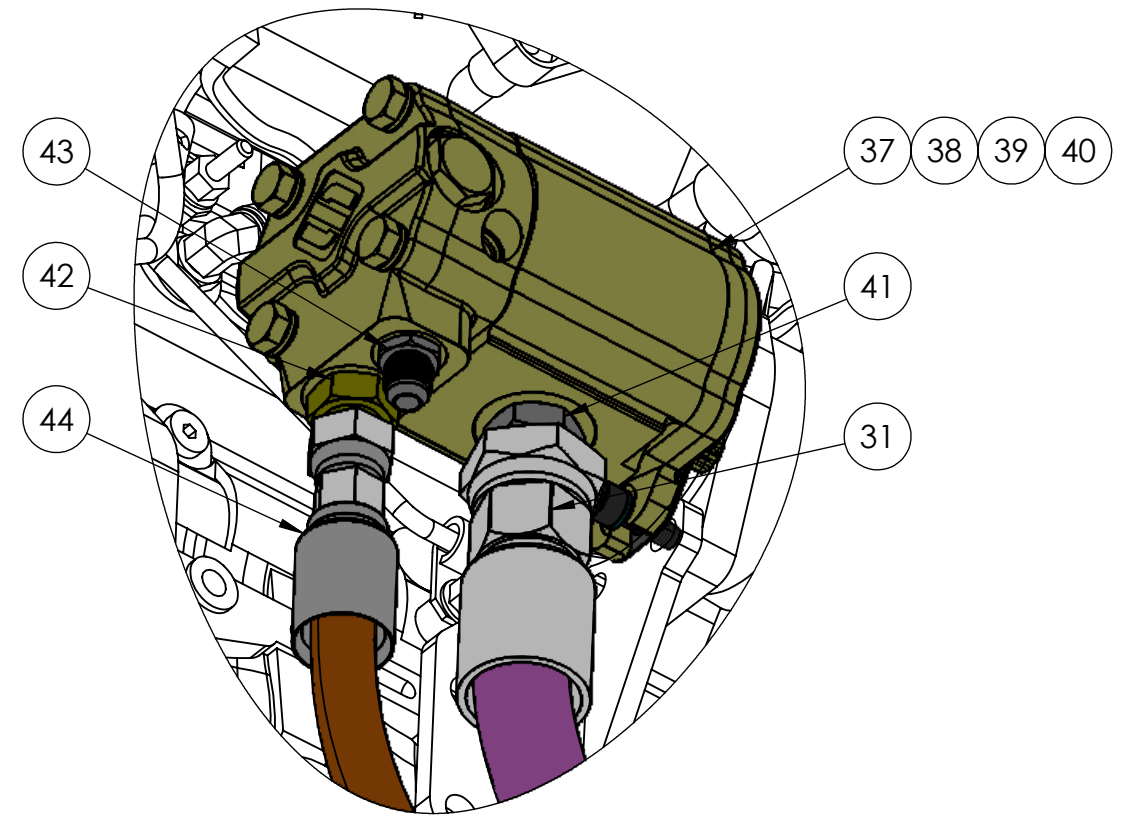
DIMENSIONS ARE IN INCHES TOLERANCES: DECIMAL: X.X ± 0.06 X.XX ± 0.03 X.XXX ± 0.005 ANGULAR: ± 0.5° FRACTIONAL ± 1/32"	NAME	DATE	 TICO/TERMINAL SERVICE 66 CYPRESS RIDGE DR. RIDGELAND, SC 29936 (843) 717-2226	
	DRAWN	MPC		09/19/2017
	CHECKED			
	APPROVED			
INTERPRET GEOMETRIC TOLERANCING PER: ASME 14.5M-1994	DO NOT SCALE DRAWING		TITLE: ASSEMBLY, HYDRAULIC SYSTEM	
MATERIAL	THE SUBJECT MATTER SHOWN AND DESCRIBED IN THIS DRAWING AND ANY OTHER INFORMATION ADVANCED IN CONNECTION THEREWITH, IS PROPRIETARY PROPERTY AND IS TO BE HELD IN STRICT CONFIDENCE BY YOU. ALL RIGHTS TO ANY INVENTIONS, DESIGNS, TRADE MARKS, TRADE NAMES AND COPYRIGHTS DISCLOSED ARE RESERVED TO TICO TERMINAL SERVICES, INC.		SIZE: <b>B</b>	
FINISH			DWG. NO. 721420-A1	
THICKNESS			REV <b>A</b>	
	SCALE: 1:11	WEIGHT:	SHEET 2 OF 4	

8 7 6 5 4 3 2 1


8 7 6 5 4 3 2 1

D  
C  
B  
A

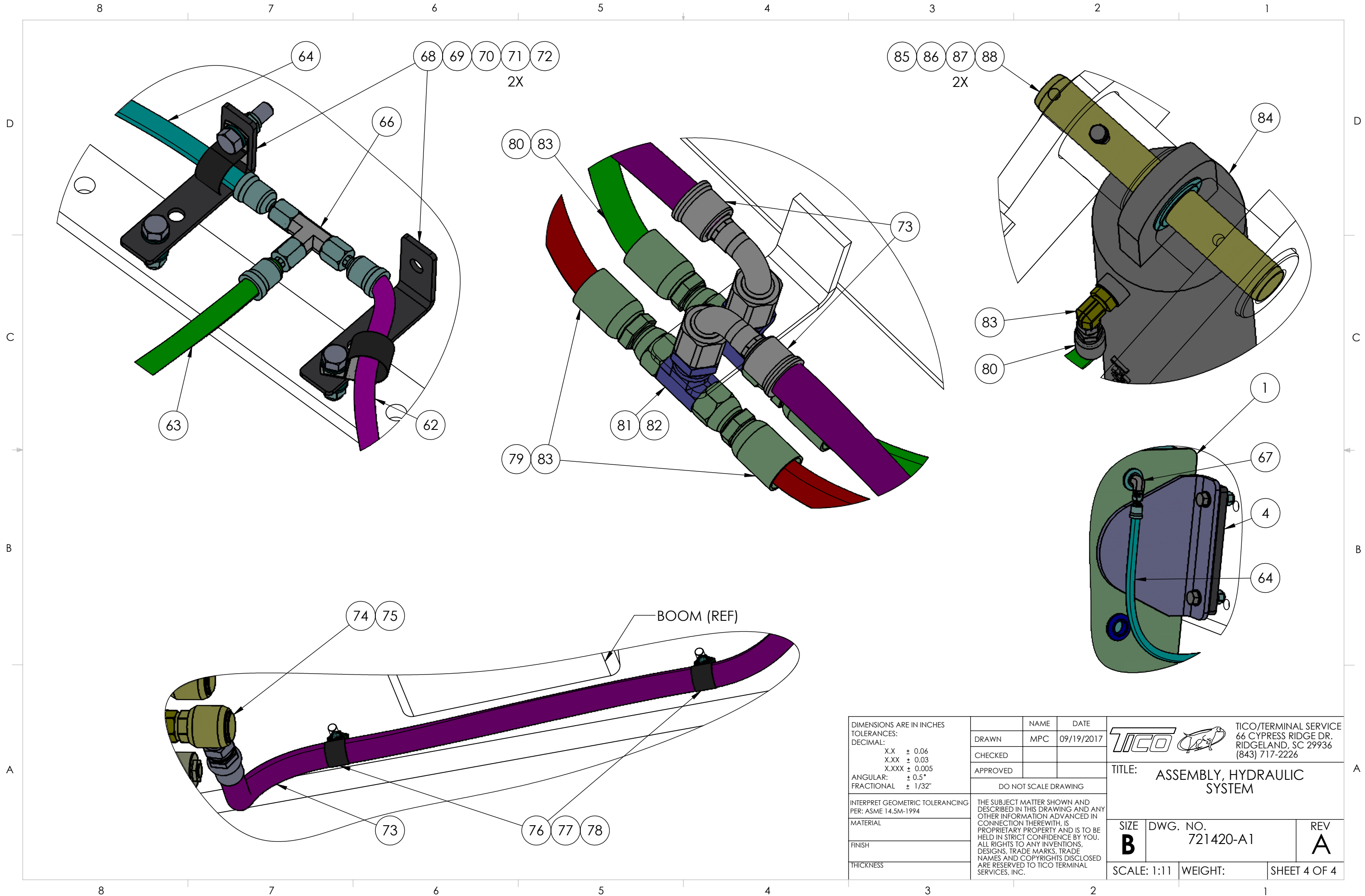
D  
C  
B  
A



46 47 50 51 52  
2X

DIMENSIONS ARE IN INCHES TOLERANCES: DECIMAL: X.X ± 0.06 X.XX ± 0.03 X.XXX ± 0.005 ANGULAR: ± 0.5° FRACTIONAL ± 1/32"	DRAWN MPC	NAME MPC	DATE 09/19/2017	 TICO/TERMINAL SERVICE 66 CYPRESS RIDGE DR. RIDGELAND, SC 29936 (843) 717-2226
	CHECKED			
	APPROVED			
	DO NOT SCALE DRAWING			
INTERPRET GEOMETRIC TOLERANCING PER: ASME 14.5M-1994	THE SUBJECT MATTER SHOWN AND DESCRIBED IN THIS DRAWING AND ANY OTHER INFORMATION ADVANCED IN CONNECTION THEREWITH, IS PROPRIETARY PROPERTY AND IS TO BE HELD IN STRICT CONFIDENCE BY YOU. ALL RIGHTS TO ANY INVENTIONS, DESIGNS, TRADE MARKS, TRADE NAMES AND COPYRIGHTS DISCLOSED ARE RESERVED TO TICO TERMINAL SERVICES, INC.			TITLE: ASSEMBLY, HYDRAULIC SYSTEM
MATERIAL	SIZE <b>B</b>	DWG. NO. 721420-A1	REV <b>A</b>	
FINISH	SCALE: 1:11	WEIGHT:	SHEET 3 OF 4	
THICKNESS				

8 7 6 5 4 3 2 1



DIMENSIONS ARE IN INCHES  
TOLERANCES:  
DECIMAL:  
X.X ± 0.06  
X.XX ± 0.03  
X.XXX ± 0.005  
ANGULAR:  
± 0.5°  
FRACTIONAL ± 1/32"


INTERPRET GEOMETRIC TOLERANCING PER: ASME 14.5M-1994

MATERIAL

FINISH

THICKNESS

	NAME	DATE
DRAWN	MPC	09/19/2017
CHECKED		
APPROVED		
DO NOT SCALE DRAWING		
<small>THE SUBJECT MATTER SHOWN AND DESCRIBED IN THIS DRAWING AND ANY OTHER INFORMATION ADVANCED IN CONNECTION THEREWITH, IS PROPRIETARY PROPERTY AND IS TO BE HELD IN STRICT CONFIDENCE BY YOU. ALL RIGHTS TO ANY INVENTIONS, DESIGNS, TRADE MARKS, TRADE NAMES AND COPYRIGHTS DISCLOSED ARE RESERVED TO TICO TERMINAL SERVICES, INC.</small>		

 TICO/TERMINAL SERVICE 66 CYPRESS RIDGE DR. RIDGELAND, SC 29936 (843) 717-2226		
<b>TITLE:</b> ASSEMBLY, HYDRAULIC SYSTEM		
<b>SIZE</b> <b>B</b>	<b>DWG. NO.</b> 721420-A1	<b>REV</b> <b>A</b>
<b>SCALE:</b> 1:11	<b>WEIGHT:</b>	<b>SHEET</b> 4 OF 4

TICO PRO-SPOTTER			
HYDRAULIC SYSTEM			721419
ITEM	PART #	QTY/M	DESCRIPTION
1	42098	1	TANK-HYDRAULIC, 18.5 GAL NON-VENTED CAP
2	420334	1	EXTENSION-HYDRAULIC FILLER CAP
3	420335	1	GASKET-CORK, HYDRAULIC FILLER CAP
4	30174	1	SPACER-TANK MOUNT
5	82418	4	BOLT-12-13NC X 2LG
6	85104	4	WASHER
7	85027	4	NUT
8	60556-1	1	FILTER, HYD
9	1026037	1	SEAL
10	60556-2	1	BASE-FILTER, HYD
11	40933	1	FITTING-90°, 1 1/4 NPT/#16 JIC
12	82371	1	BOLT-5/16-18NC X 1"LG
13	20100	2	U-BOLT (3/8" DIA x 2" ID x 3-5/8" OAL)
14	85112	2	WASHER-5/16
15	85091	4	WASHER, 3/8" HRDN
16	85134	2	L-WASHER-5/16
17	85035	1	NUT-5/16NC
18	11004	3 ft	TUBING-NYLON AIR BRAKE 3/8 BK
19	40823	1	FITTING, BRASS 3/8 TUBE, 3/8NPT-90°
20	41218	1	HOSE, HYD 1" X 30 1/16" OAL, FILTER TO TANK
21	40961	1	FITTING-STR, 1 NPT/ #16
22	40146	1	VALVE-SHUT OFF-1 NPT
23	41120	1	FITTING-NIPPLE-1 NPT
24	41119	1	FITTING-ELBOW-90°, 1 NPT
25	40748	1	HOSE, HYD 1" X 68 1/2 "OAL, FILTER TO CONTR VALVE
26	10623	1	FITTING-ELBOW - 90° DEG - 3/4 ORING TO #16 JIC
27	40593	3	P-CLAMP, 1"
28	82371	1	BOLT, HEX HEAD, 5/16-18 X 1 LONG
29	85090	2	WASHER, FLAT, 5/16
30	85024	1	LOCKNUT, NYLON, 5/16-18
31	41101	1	HOSE, HYD 1 1/4" X 29 1/4"OAL SUCT, TANK TO PUMP
32	40806	2	FITTING-NIPPLE-1 1/4 NPT
33	42042	1	FITTING-90°, 1" "O"-RING/1 1/4" JIC, SUCTION
34	40218	1	VALVE-SHUT OFF-1 1/4 NPT
35	41117	1	FITTING-REDUCER-1 1/4 NPT TO 1 NPT
36	40593	1	P-CLAMP, 1"
REV	DATE	BY	SHEET
A	6/17/2020	BRN	1 OF 1

TICO PRO-SPOTTER				
HYDRAULIC SYSTEM				721419
ITEM	PART #	QTY/M	DESCRIPTION	
37	60943	1	PUMP-16 GPM	
38	60953-1	1	GASKET-PUMP	
39	82418	1	BOLT-1/2-13NC X 2LG	
40	85091	2	WASHER, FLAT, 3/8	
41	40964	1	FITTING-STR, 1 1/4 NPT/ 1 1/4 NPT	
42	40471	1	FITTING, STRAIGHT, STEEL, 3/4 O-RING X 3/4 JIC	
43	42007	1	FITTING-STR, 1/2" "O"-RING/#12 JIC	
44	41219	1	HOSE ASS'Y, HYD 1" X 28 1/2" OAL, VALVE TO PUMP	
45	10623	1	FITTING-90°, 3/4" "O"-RING/1" JIC, PRESSURE	
46	40593	1	P-CLAMP, 1"	
47	12469	2	SPACER, PIPE, 1"	
48	62244	2	BRACKET- STANDOFF, PTO	
49	82383	1	BOLT, HEX HEAD, 3/8-16 X 1-1/4 LONG	
50	82427	1	BOLT, HEX HEAD, 3/8-16 X 2-1/4 LONG	
51	85091	4	WASHER, FLAT, 3/8	
52	85025	2	LOCKNUT, NYLON, 3/8-16	
53	62302	1	VALVE-DIRECTION CONTROL - ELEC	
54	62299	1	BRACKET - DCV SPACER	
55	61758-3	1	MOUNT PLATE - VALVE	
56	82440	1	BOLT-1/2-13 UNC X 2.5LG	
57	80171	2	SOC HD SCREW, 3/8 x 2 Lg	
58	85137	1	L'WASHER-1/2	
59	85113	2	WASHER-3/8	
60	85016	1	NUT- NYLOCK 1/2-13 UNC	
61	85036	2	LOCKNUT-3/8-16NC	
62	40320	1	HOSE ASS'Y- NO 4, STR/STR, 28 1/4 OAL, TANK/TEE	
63	41103	1	HOSE ASS'S- NO.4, STR/STR, 9 1/4 OAL, TEE/VALVE	
64	41058	1	HOSE ASS'Y- NO 4, STR/90°, 14 9/16 OAL, TEE/VALVE	
65	40472	2	FITTING-90°, 1/8 NPT"/#4 JIC	
66	42083	1	FITTING-TEE-JIC, NO. 4	
67	40805	1	FITTING-ELBOW-90°, 1 1/4 NPT	
68	62244	2	BRACKET- STANDOFF, PTO	
69	41273	2	P-CLAMP, 1/2"	
70	82383	3	BOLT, HEX HEAD, 3/8-16 X 1-1/4 LONG	
71	85091	6	WASHER, FLAT, 3/8	
72	85025	3	LOCKNUT, NYLON, 3/8-16	
REV	DATE	BY		SHEET
A	6/17/2020	BRN		2 OF

