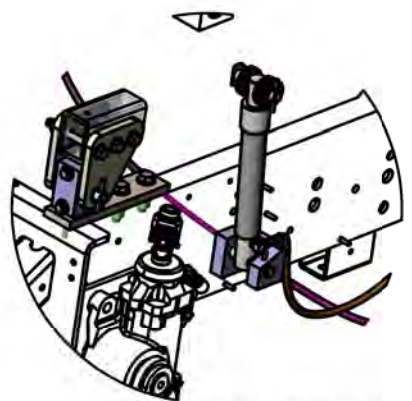
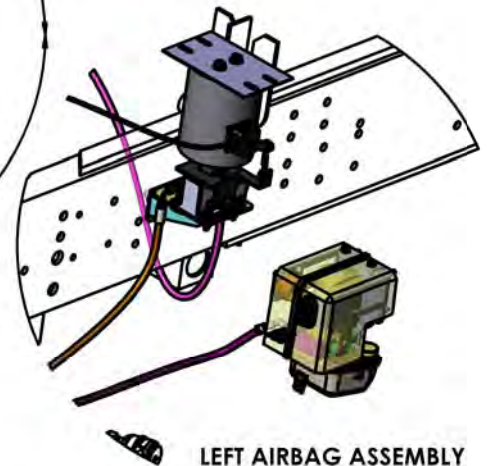
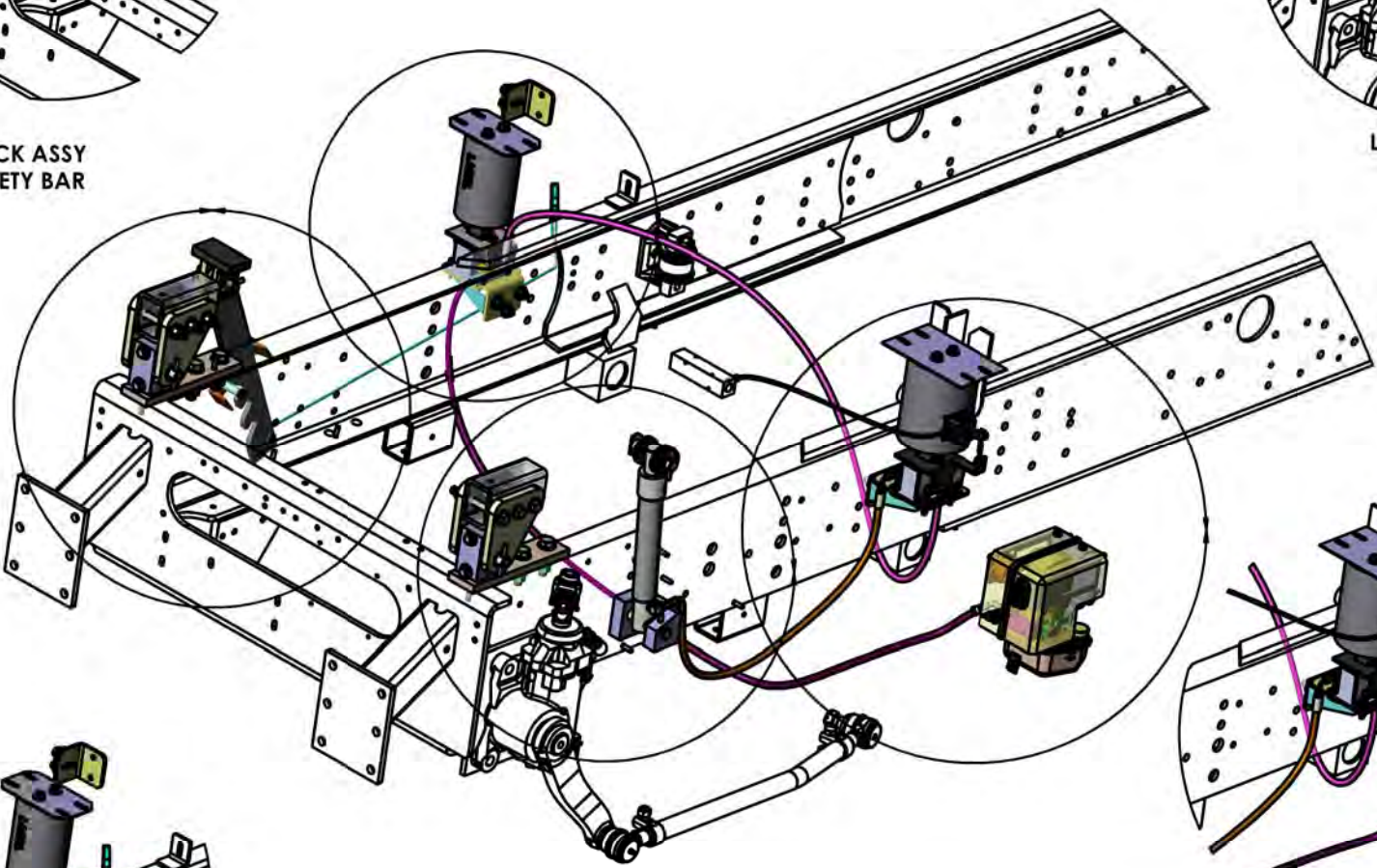


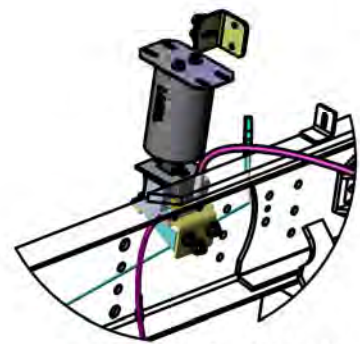
**RIGHT BLOCK ASSY
& CAB SAFETY BAR**



**LEFT BLOCK ASSEMBLY
& LIFT CYLINDER**

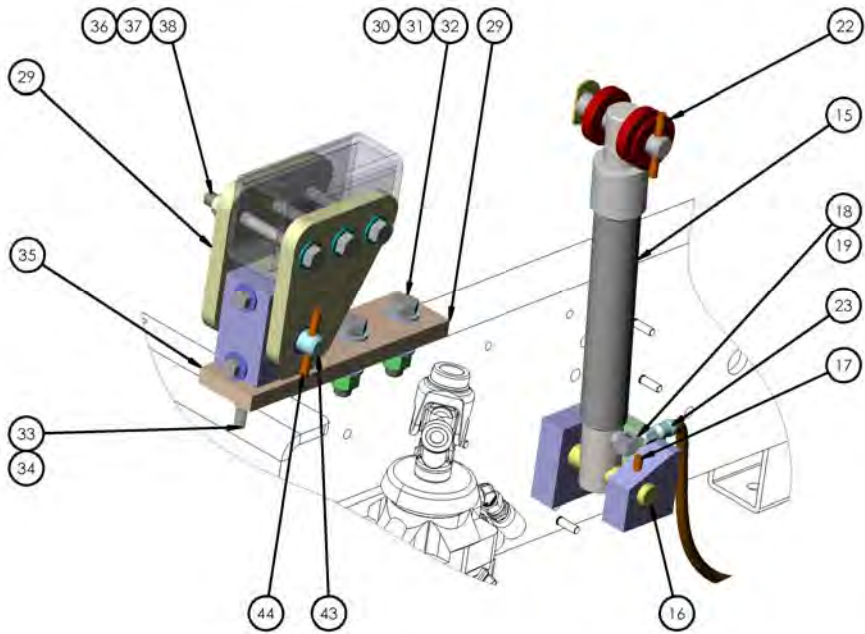


**LEFT AIRBAG ASSEMBLY
& PUMP**

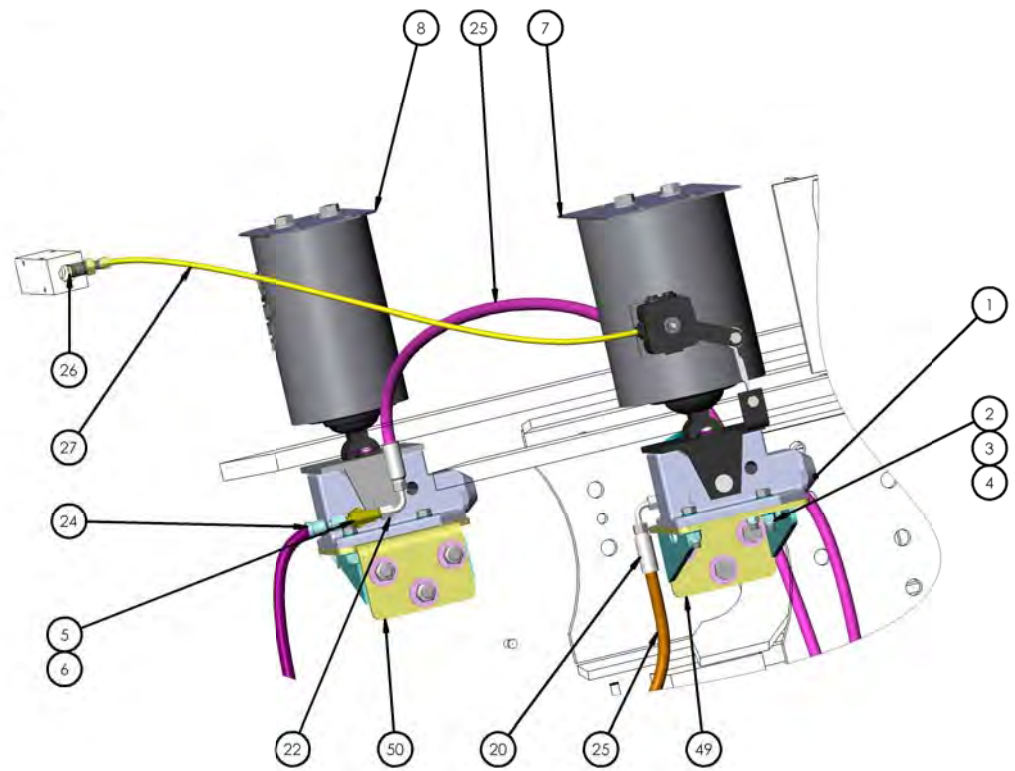


RIGHT AIRBAG ASSEMBLY

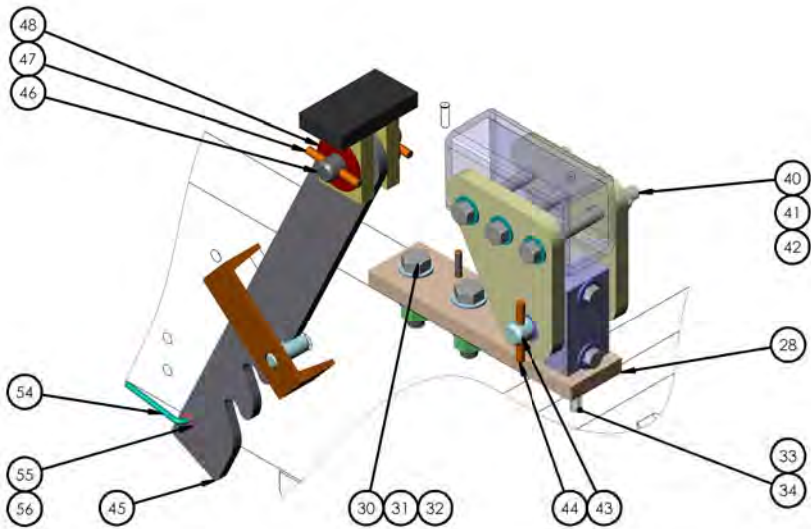
DIMENSIONS ARE IN INCHES TOLERANCES: DECIMALS: A.X. ± 0.06 A.S. ± 0.03 K.KKK ± 0.005 ANGULAR: FRAC TIONAL: ± 1/32		NAME: _____ DATE: _____	TICO/TERMINAL SERVICE 86 CYPRESS RIDGE DR. RIDGELAND, SC 29936 (843) 717-2226
PREFERRED GEOMETRIC TOLERANCING PER: ASME Y14.5M-1994		DRAWN: MAAL 01/23/2017	
MATERIAL: 11/A		CHECKED: _____	TITLE: CAB SUSPENSION, PSI 8.8L LIFT PUMP ASSEMBLY
FINISH: SEE NOTE		APPROVED: _____	
REVISIONS: N/A		DO NOT SCALE DRAWING	
THE SUBJECT MATTER SHOWN AND DESCRIBED IN THIS DRAWING AND ANY OTHER INFORMATION ADVANCED BY CONNECTION THEREWITH, IS PROPRIETARY PROPERTY AND IS TO BE HELD IN STRICT CONFIDENCE BY YOU. ALL RIGHTS TO ANY INVENTIONS, DESIGN, TRADE MARKS, TRADE NAMES AND COPYRIGHTS DECLARED ARE RESERVED TO TICO TERMINAL SERVICE, INC.		SIZE: C	DWG. NO.: 721418-B1
		REV: _____	
SCALE: 1:32 WEIGHT: 5313.65 SHEET 1 OF 1			



LEFT BLOCK ASSEMBLY & LIFT CYLINDER

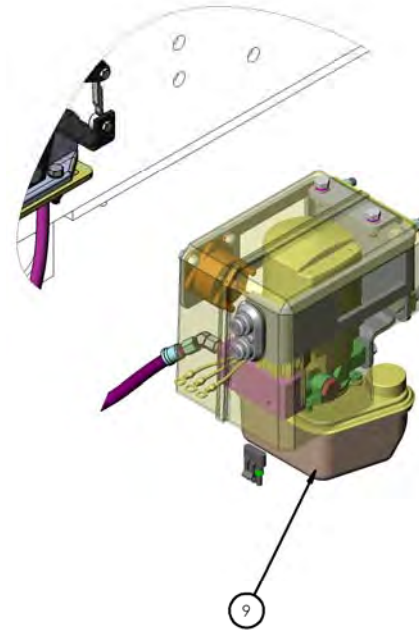
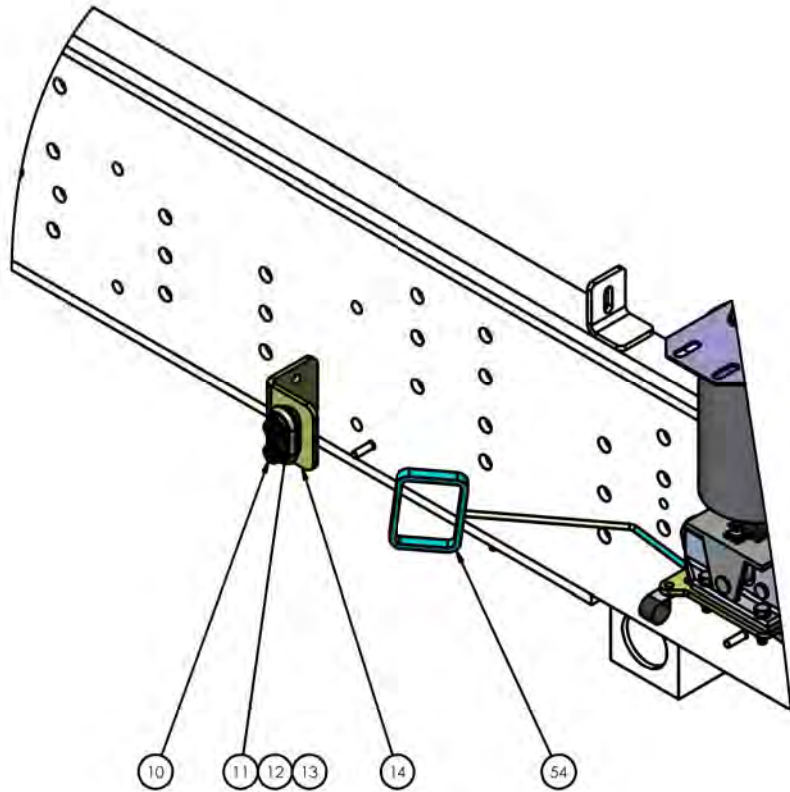


CAB LATCH AND AIRBAG VIEW



RIGHT BLOCK ASSEMBLY & CAB SAFETY BAR

DIMENSIONS ARE IN INCHES		NAME	DATE
TOLERANCES:		DRAWN	MAAL
DECIMAL:		CHECKED	
XXX ± 0.06		APPROVED	
XXXX ± 0.03		DO NOT SCALE DRAWING	
XXXXX ± 0.005		THE SUBJECT MATTER SHOWN AND DESCRIBED IN THIS DRAWING AND ANY OTHER INFORMATION ADVANCED IN CONNECTION THEREWITH IS TO BE HELD IN STRICT CONFIDENCE BY YOU. ALL RIGHTS TO ANY INVENTIONS, DESIGN, TRADE MARKS, TRADE NAMES AND COPYRIGHTS DECLARED ARE RESERVED TO TICO TERMINAL SERVICES, INC.	
ANGULAR: ± 0.5°		TICO/TERRINAL SERVICE 66 CYPRESS RIDGE DR. RIDGELAND, SC 29936 (843) 717-2226	
FRACTIONAL: 1/32"		TITLE: CAB SUSPENSION, PSI 8.8L LIFT PUMP ASSEMBLY	
INTERPRET GEOMETRIC TOLERANCING PER: ASME Y14.5M-1994		SIZE	DWG. NO.
MATERIAL: N/A		C	721418-B1
FINISH: SEE NOTE		REV	
THICKNESS: N/A		SCALE: 1:32 WEIGHT: 5313.65 SHEET 1 OF 1	



DIMENSIONS ARE IN INCHES		NAME	DATE
TOLERANCES:		DRAWN	MAL 01/25/2017
DECIMAL:		CHECKED	
XX	± 0.06	APPROVED	
XXX	± 0.03	DO NOT SCALE DRAWING	
XXXX	± 0.005	THE SUBJECT MATTER SHOWN AND DESCRIBED IN THIS DRAWING AND ANY OTHER INFORMATION ADVANCED IN CONNECTION THEREWITH IS TO BE HELD IN STRICT CONFIDENCE BY YOU. ALL RIGHTS TO ANY INVENTIONS, DESIGN, TRADE MARKS, TRADE NAMES AND COPYRIGHTS DECLARED ARE RESERVED TO TICO TERMINAL SERVICES, INC.	
ANGULAR:	± 0.5°	TICO/TERRMINAL SERVICE 66 CYPRESS RIDGE DR. RIDGELAND, SC 29936 (843) 717-2226	
FRACTIONAL:	1/32"	TITLE: CAB SUSPENSION, PSI 8.8L LIFT PUMP ASSEMBLY	
INTERPRET GEOMETRIC TOLERANCING PER: ASME Y14.5M-1994		SIZE	DWG. NO.
MATERIAL	N/A	C	721418-B1
FINISH	SEE NOTE	REV	
THICKNESS	N/A	SCALE: 1:32	WEIGHT: 5313.65 SHEET 1 OF 1

TICO PRO-SPOTTER

CAB SUSPENSION, PSI 8.8L, LIFT PUMP ASEMBLY REAR MOUNTED SEALED ELEC. SYSTEM

721418

ITEM	PART #	QTY/M	DESCRIPTION	
	721418-B1	REF	ASSEMBLY, CAB AUSHION, PIVOT, LIFT AND LATCH	
1	30096-1	2	LATCH,CAB CUSHION AIR RIDE	
NOT SHOWN	30096-5	2	WASHER, BUSHING RETAINER CAB CUSHION	
2	82394	8	BOLT, HEX 3/8-16 X 1 1/2	
3	85091	16	WASHER, FLAT 3/8 HRDN	
4	85025	8	LOCKNUT, NYLON, 3/8-16	
5	40473	2	FITTING, STEEL	
6	10625	2	FITTING, ADAPTER BRASS STRAIGHT 1/4 X 1/4	
7	30096-2	1	ASSEMBLY, AIRBAG, LARGE	
8	30096-3	1	ASSEMBLY, AIRBAG, SMALL	
NOT SHOWN	30096-5	2	WASHER, BUSHING RETAINER CAB CUSHION	
NOT SHOWN	82383	8	BOLT, HEX, 3/8-16 X 1 1/4	
NOT SHOWN	85091	16	WASHER, 3/8 FLAT HRDN	
NOT SHOWN	85025	8	LOCKNUT, NYLON 3/8-16	
9	200392	1	ASSEMBLY, CAB LIFT PUMP	
NOT SHOWN	20193	1	CAB LIFT PUMP BRACKET REAR MOUNTED	
NOT SHOWN	20191	1	CAB PUMP BRACKET, REAR MOUNTED	
NOT SHOWN	85003	2	NUT, 3/8"-16	
NOT SHOWN	20117	2	SPACER-CAB LIFT BRACKET	
NOT SHOWN	81558	4	BOLT 3/8"-16 X 1-1/2"	
NOT SHOWN	85124	4	3/8" FLAT WASHER	
NOT SHOWN	85025	4	LOCK NUT - NYLOCK COARSE 3/8"-16	
NOT SHOWN	420347	1	PUMP-CAB LIFT, ELECTRIC SEALED, 1 QT RESERVOIR	
NOT SHOWN	81536	4	BOLT, HEX 3/8"-16 X 1"	
NOT SHOWN	85135	4	L' WASHER 3/8	
NOT SHOWN	60015	1	SOLENOID-12V, PLASTICEZED & POTTED	
NOT SHOWN	81523	2	BOLT, HEX 1/4"-20 X 3/4"	
NOT SHOWN	85111	2	WASHER, 1/4"	
NOT SHOWN	85023	2	LOCK NUT - NYLOCK COARSE 1/4" - 20	
NOT SHOWN	20192	1	CAB PUMP COVER	
NOT SHOWN	81536	2	BOLT, HEX 3/8"-16 X 1"	
NOT SHOWN	85124	4	3/8" FLAT WASHER	
NOT SHOWN	61986	1	HARNESS-CAB LIFT PUMP W/ TRIM SWITCH	
NOT SHOWN	61821	1	WIRE ASS'Y-CAB LIFT	
NOT SHOWN	420309	1	FITTING, ELBOW 90°, STEEL #4 JIC FEMALE X #4 JIC	
NOT SHOWN	420306	1	VALVE, RESTRICTED POPPET, 1/4 ORB X #4 JIC	
NOT SHOWN	82372	4	BOLT, HEX 3/8-16 x 1	
NOT SHOWN	85113	8	WASHER, FLAT	
NOT SHOWN	85036	4	LOCK NUT 3/8-16	
REV	DATE	BY		SHEET
B	01/25/2017	MAL		1 OF 4

TICO MANUFACTURING - RIDGELAND, SC 29936

TICO PRO-SPOTTER

CAB SUSPENSION, PSI 8.8L, LIFT PUMP ASEMBLY REAR MOUNTED SEALED ELEC. SYSTEM

721418

ITEM	PART #	QTY/M	DESCRIPTION	
28	121021	1	BLOCK ASS'Y, LH CAB PIVOT, GALV	
NOT SHOWN	121019	1	BLOCK SUB-ASS'Y, LH CAB PIVOT	
NOT SHOWN	121016	1	CAP, FWD CAB PIVOT	
NOT SHOWN	80223	1	FLHD SOC 1/2"-20X2 1/2" lg	
NOT SHOWN	80349	1	STUD, 5/16"-18 x 1" Lg	
29	121020	1	BLOCK ASS'Y, RH CAB PIVOT, GALV	
NOT SHOWN	121018	1	BLOCK SUB-ASS'Y, RH CAB PIVOT	
NOT SHOWN	121016	1	CAP, FWD CAB PIVOT	
NOT SHOWN	80223	1	FLHD SOC 1/2"-20X2 1/2" lg	
NOT SHOWN	80349	2	STUD, 5/16"-18 x 1" Lg	
NOT SHOWN	90688	2	BUSHING, MOD RUBBER CAB PIVOT 2.06 OD	
NOT SHOWN	82539	4	BOLT, HEX 1/2"-13 x 4-3/4" Lg	
NOT SHOWN	85093	8	WASHER, 1/2" FLAT HRDN	
NOT SHOWN	85027	4	NUT, 1/2"-13 NYLOK	
30	82464	4	BOLT, HEX 3/4"-10 x 3" Lg	
31	85095	8	WASHER, 3/4" FLAT HRDN	
32	85029	4	NUT, 3/4"-10 NYLOK	
33	85093	2	WASHER, 1/2" FLAT HRDN	
34	85071	2	NUT, 1/2"-20 UNF NYLOK	
35	121013	2	PLATE ASS'Y, RH GALV CAB PIVOT	
NOT SHOWN	121012	2	PLATE, RH CAB PIVOT POST-MACHINING	
NOT SHOWN	121011	2	PLATE, CAB PIVOT PRE-MACHINING	
NOT SHOWN	10986	2	BUSHING CAB PIVOT 1" ID	
36	82595	3	BOLT, HEX 5/8"-11 x 6" Lg	
37	85094	6	WASHER, 5/8" FLAT HRDN	
38	85028	3	NUT, 5/8"-11 NYLOK	
39	121015	2	PLATE ASS'Y, LH GALV CAB PIVOT	
NOT SHOWN	121014	2	PLATE, LH CAB PIVOT POST-MACHINING	
NOT SHOWN	121011	2	PLATE, CAB PIVOT PRE-MACHINING	
NOT SHOWN	10986	2	BUSHING CAB PIVOT 1" ID	
40	82595	3	BOLT, HEX 5/8"-11 x 6" Lg	
41	85094	6	WASHER, 5/8" FLAT HRDN	
42	85028	3	NUT, 5/8"-11 NYLOK	
REV	DATE	BY		SHEET
B	01/25/2017	MAL		3 OF 4

TICO PRO-SPOTTER

CAB SUSPENSION, PSI 8.8L, LIFT PUMP ASEMBLY REAR MOUNTED SEALED ELEC. SYSTEM

721418

ITEM	PART #	QTY/M	DESCRIPTION	
43	121010	2	PIN, CAB PIVOT	
44	40018	4	PIN, 3/8 ROLL x 2"	
45	12361	1	LATCH, CAB SAFETY BAR	
46	10945-3	1	PIN, 1" CAB SAFETY LATCH BAR	
47	40018	2	PIN, 3/8 ROLL x 2"	
48	85119	2	WASHER, FLAT 1"	
NOT SHOWN	12168	1	DECAL-CAB PUMP INSTRUCTIONS	
49	20157	1	BRACKET, CAB CUSHION WELDMENT, LH	
NOT SHOWN	20157-1	2	GUSSET, CAB CUSHION BRACKET, LH	
NOT SHOWN	20157-2	1	ANGLE, CAB CUSHION BRACKET, LH	
NOT SHOWN	12351	REF	SHIM PLATE CAB PIVOT NOTE: USE AS REQUIRED	
50	20158	1	BRACKET, CAB CUSHION WELDMENT, RH	
NOT SHOWN	20158-1	2	GUSSET, CAB CUSHION BRACKET, RH	
NOT SHOWN	20158-2	1	ANGLE, CAB CUSHION BRACKET, RH	
51	82396	6	BOLT 1/2-13 X 1-1/2 Lg	
52	85038	6	LOCK NUT 1/2-13	
53	85115	12	WASHER, FLAT 1/2	
54	121807	1	HANDLE ASSEMBLY, 45° CNG CAB LATCH	
NOT SHOWN	121807-1	1	ROD, 45° CNG CAB LATCH HANDLE	
NOT SHOWN	10017-2	1	TUBE HANDLE	
55	85111	2	WASHER, FLAT 1/2	
56	80148	1	COTTER PIN, 1/8	
57	40593	1	CLAMP, P 1" ID	
NOT SHOWN	12815	1	BRACKET - CAB FLOOR FENDER, STUD ADAPTER (CAB LATCH HANDLE)	
NOT SHOWN	82371	1	BOLT, 5/16-18 X 1 LG	
NOT SHOWN	85024	1	LOCK NUT, 5/16-18	
NOT SHOWN	85090	2	WASHER, FLAT 5/16	
NOT SHOWN	41273	1	CLAMP, P 1/2" ID	
NOT SHOWN	82359	1	BOLT, 1/4-20 X 3/4 Lg	
NOT SHOWN	85023	1	LOCK NUT, 1/4-20	
NOT SHOWN	85089	2	WASHER , FLAT 1/4	
REV	DATE	BY		SHEET
B	01/25/2017	MAL		4 OF 4