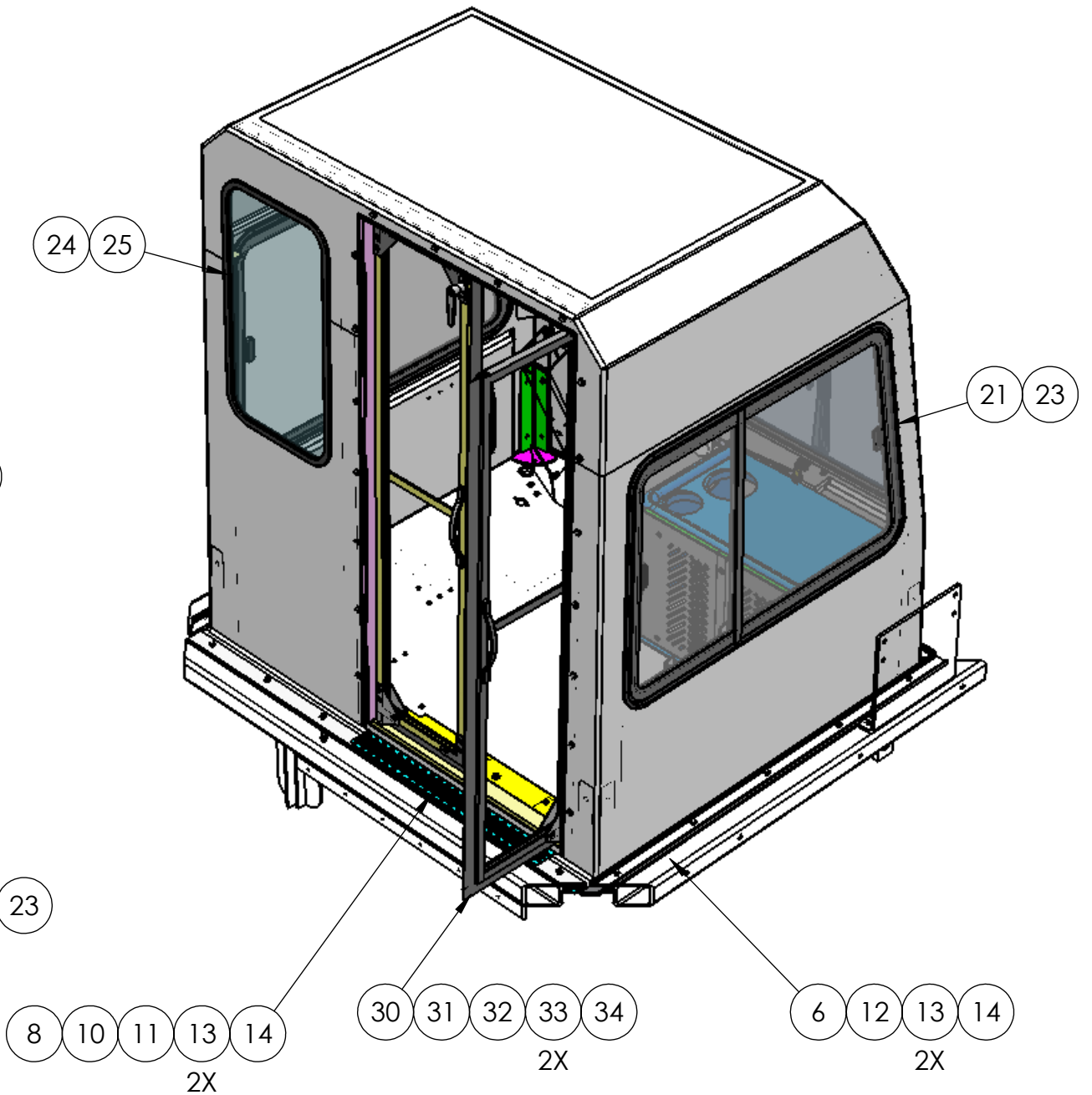
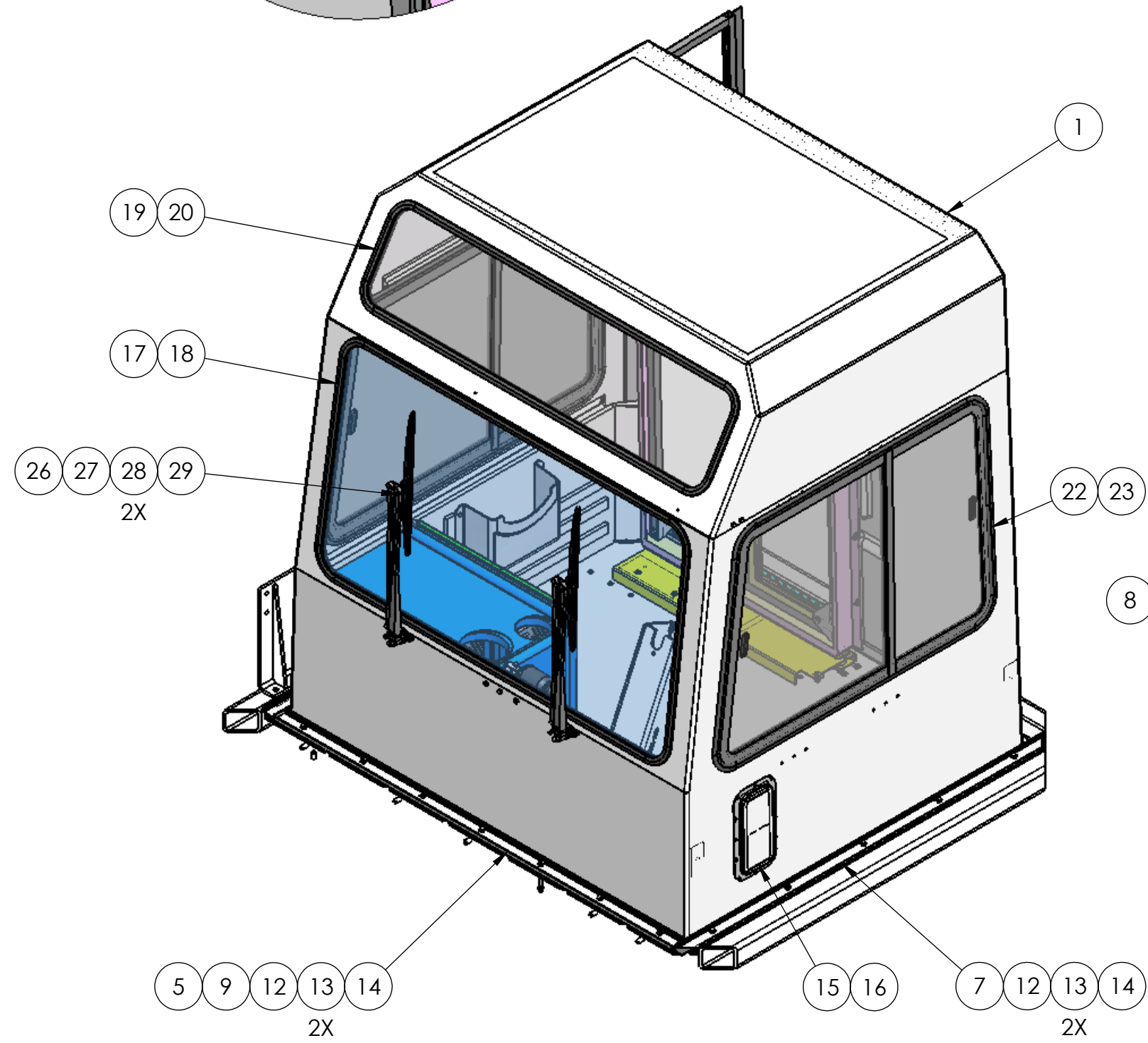
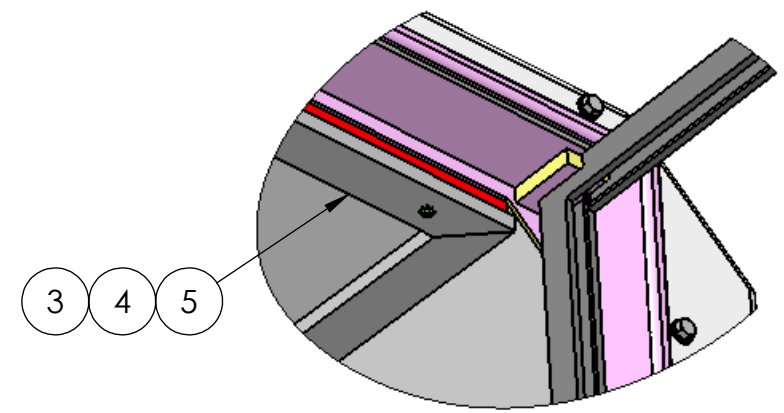



8 7 6 5 4 3 2 1

D
C
B
A

D
C
B
A

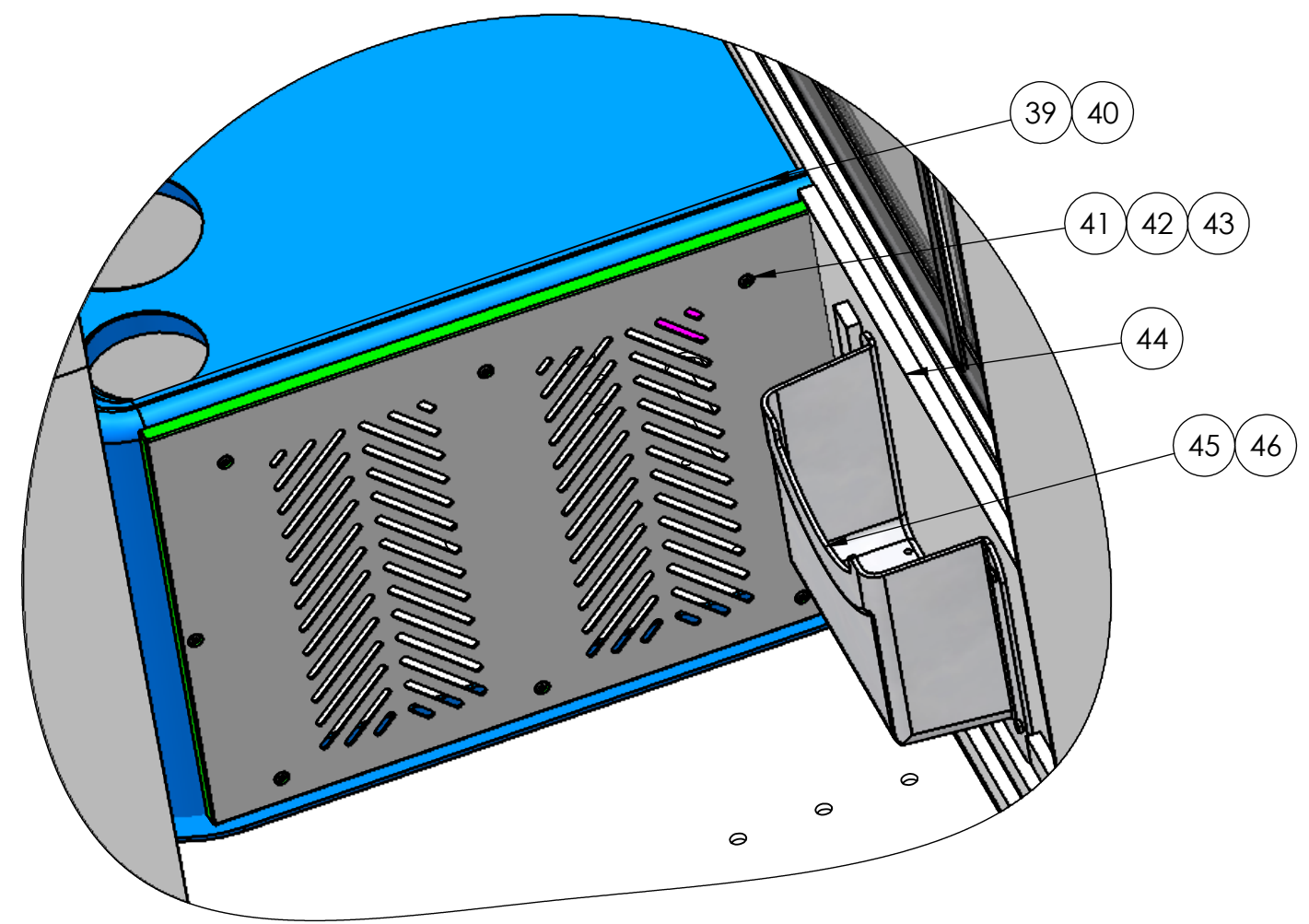


DIMENSIONS ARE IN INCHES TOLERANCES: DECIMAL: X.X ± 0.06 X.XX ± 0.03 X.XXX ± 0.005 ANGULAR: ± 0.5° FRACTIONAL ± 1/32"	NAME	DATE	 TICO/TERMINAL SERVICE 66 CYPRESS RIDGE DR. RIDGELAND, SC 29936 (843) 717-2226	
	DRAWN	MPC		09/08/2017
	CHECKED			
	APPROVED			
INTERPRET GEOMETRIC TOLERANCING PER: ASME 14.5M-1994	DO NOT SCALE DRAWING		TITLE: ASSEMBLY, CAB, 65" DOOR	
MATERIAL FINISH THICKNESS	THE SUBJECT MATTER SHOWN AND DESCRIBED IN THIS DRAWING AND ANY OTHER INFORMATION ADVANCED IN CONNECTION THEREWITH, IS PROPRIETARY PROPERTY AND IS TO BE HELD IN STRICT CONFIDENCE BY YOU. ALL RIGHTS TO ANY INVENTIONS, DESIGNS, TRADE MARKS, TRADE NAMES AND COPYRIGHTS DISCLOSED ARE RESERVED TO TICO TERMINAL SERVICES, INC.		SIZE B	
	DWG. NO.	REV		
	721414-B1	B		
	SCALE: 1:15	WEIGHT:	SHEET 1 OF 2	

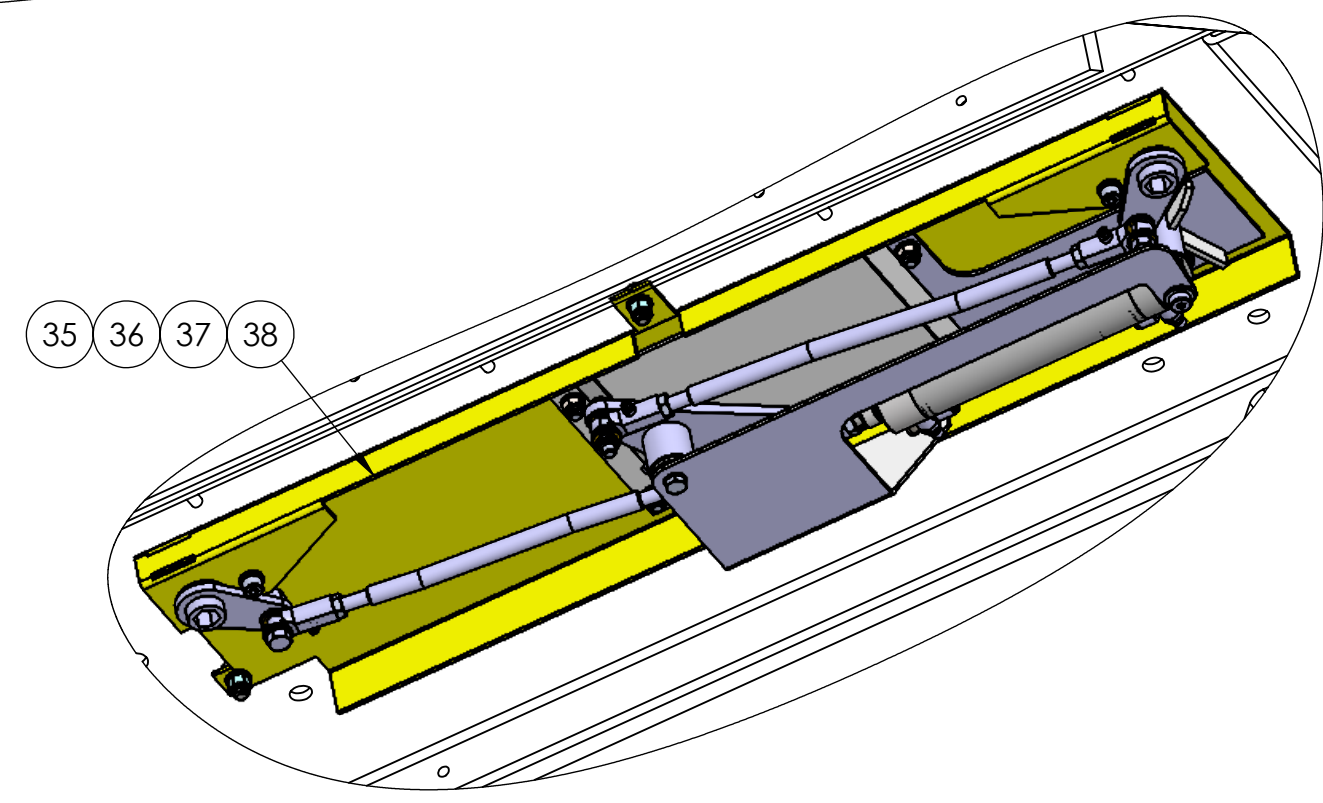
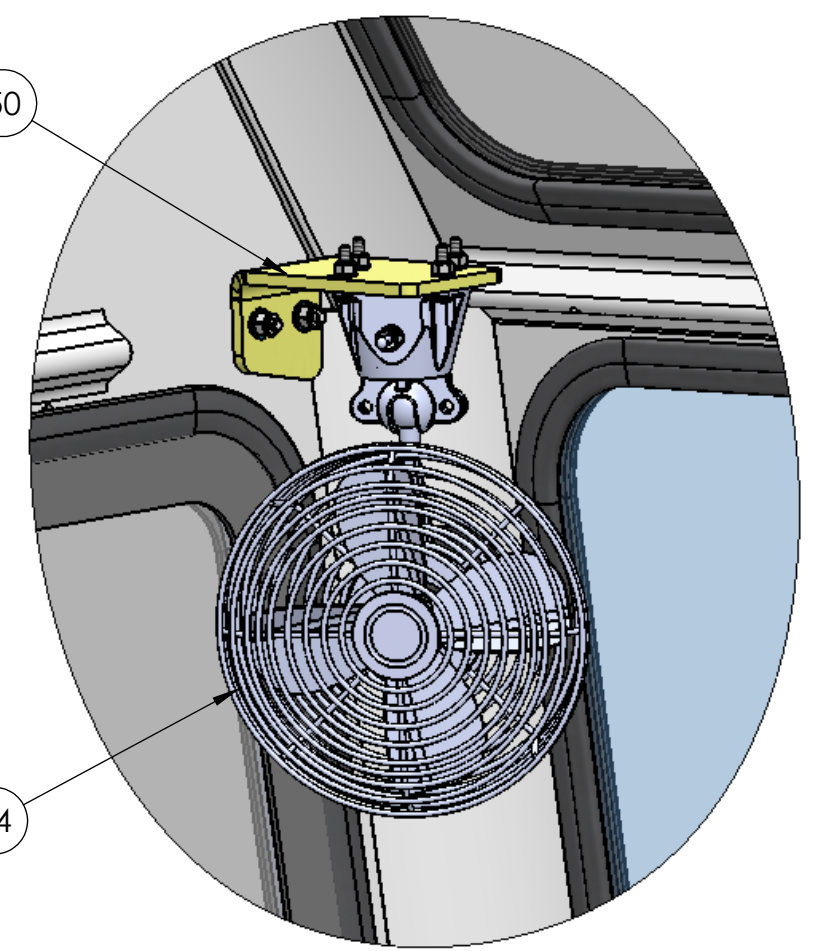
8 7 6 5 4 3 2 1

8 7 6 5 4 3 2 1

D
C
B
A



47 48 49 50
2X



DIMENSIONS ARE IN INCHES
TOLERANCES:
DECIMAL:
X.X ± 0.06
X.XX ± 0.03
X.XXX ± 0.005
ANGULAR:
± 0.5°
FRACTIONAL ± 1/32"

INTERPRET GEOMETRIC TOLERANCING PER: ASME 14.5M-1994

MATERIAL

FINISH

THICKNESS

NAME	DATE
MPC	09/08/2017
CHECKED	
APPROVED	
DO NOT SCALE DRAWING	
THE SUBJECT MATTER SHOWN AND DESCRIBED IN THIS DRAWING AND ANY OTHER INFORMATION ADVANCED IN CONNECTION THEREWITH, IS PROPRIETARY PROPERTY AND IS TO BE HELD IN STRICT CONFIDENCE BY YOU. ALL RIGHTS TO ANY INVENTIONS, DESIGNS, TRADE MARKS, TRADE NAMES AND COPYRIGHTS DISCLOSED ARE RESERVED TO TICO TERMINAL SERVICES, INC.	



TICO/TERMINAL SERVICE
66 CYPRESS RIDGE DR.
RIDGELAND, SC 29936
(843) 717-2226

TITLE: ASSEMBLY, CAB, 65" DOOR

SIZE B	DWG. NO. 721414-B1	REV B
------------------	-----------------------	-----------------

SCALE: 1:15 WEIGHT: SHEET 2 OF 2

8 7 6 5 4 3 2 1

TICO PRO-SPOTTER				
			ASSEMBLY, CAB, 65" DOOR	721414
ITEM	PART #	QTY	DESCRIPTION	NOTE
	721414-B1	REF	ASSEMBLY, CAB, 65" DOOR	
1	920007	1	CAB ASSEMBLY, RAISED ROOF, 65" DOOR, 122" MIRROR	
2	90819	1	FRAME, HEADLINER	
3	90795	1	HEADLINER, 1 X 48-1/2 X 31-1/2	
4	80262	14	SCREW, WOOD, 5-20 X 3/4 LONG	
5	90193-1	1	CHANNEL, CAB HOLD DOWN, FRONT	
6	91842	1	CHANNEL, CAB HOLD DOWN, RIGHT	
7	90193-3	1	CHANNEL, CAB HOLD DOWN, LEFT	
8	91899	1	CHANNEL, CAB HOLD DOWN, NON SLIP, REAR	
9	82492	1	BOLT, HEX HEAD, 5/16-18 X 3-3/4 LONG	
10	82481	1	BOLT, HEX HEAD, 5/16-18 X 3-1/2 LONG	
11	82393	3	BOLT, HEX HEAD, 5/16-18 X 1-1/2 LONG	
12	82382	16	BOLT, HEX HEAD, 5/16-18 X 1-1/4 LONG	
13	85090	42	WASHER, FLAT, 5/16	
14	85024	21	LOCKNUT, NYLON, 5/16-18	
NOT SHOWN	90007-1	1	ASSEMBLY, RUBBER STRIP, 1/8"	
NOT SHOWN	90007-3	1	ASSEMBLY, RUBBER STRIP, 1/4"	
15	90180	1	VENT, DOOR	
16	80196	12	SCREW, PAN HEAD, 10-32 X 1/2 LONG	
17	90420	1	WINDOW, WINDSHIELD, FRONT	
18	90521-5	1	RUBBER, WINDOW, FRONT, 164"	
19	90421	1	WINDOW, FRONT, TOP	
20	90521-2	1	RUBBER, FRONT WINDOW, TOP, 130"	
21	91931	1	WINDOW, SLIDER, 60/40 (RIGHT-HAND)	
22	920290	1	WINDOW, SLIDER, 50/50, NON-GLARE/TINTED, DOT (LEFT-HAND)	
23	90521-4	2	RUBBER, BOTTOM WINDOW, SIDE, 142"	
24	90425	1	BACK WINDOW	
25	90521-1	1	RUBBER, BACK WINDOW, 88"	
NOT SHOWN	90522	70 FT	LOCK STRIP, WINDOW RUBBER	
26	91632	1	WIPER KIT, CAB	
27	82381	6	BOLT, HEX HEAD, 1/4-20 X 1-1/4 LONG	
28	85089	12	WASHER, FLAT, 1/4	
29	85023	6	LOCKNUT, NYLON, 1/4-20	
REV	DATE	BY		SHEET
B	09/14/2017	MPC		1
				OF
				2

TICO MANUFACTURING - RIDGELAND, SC 29936

