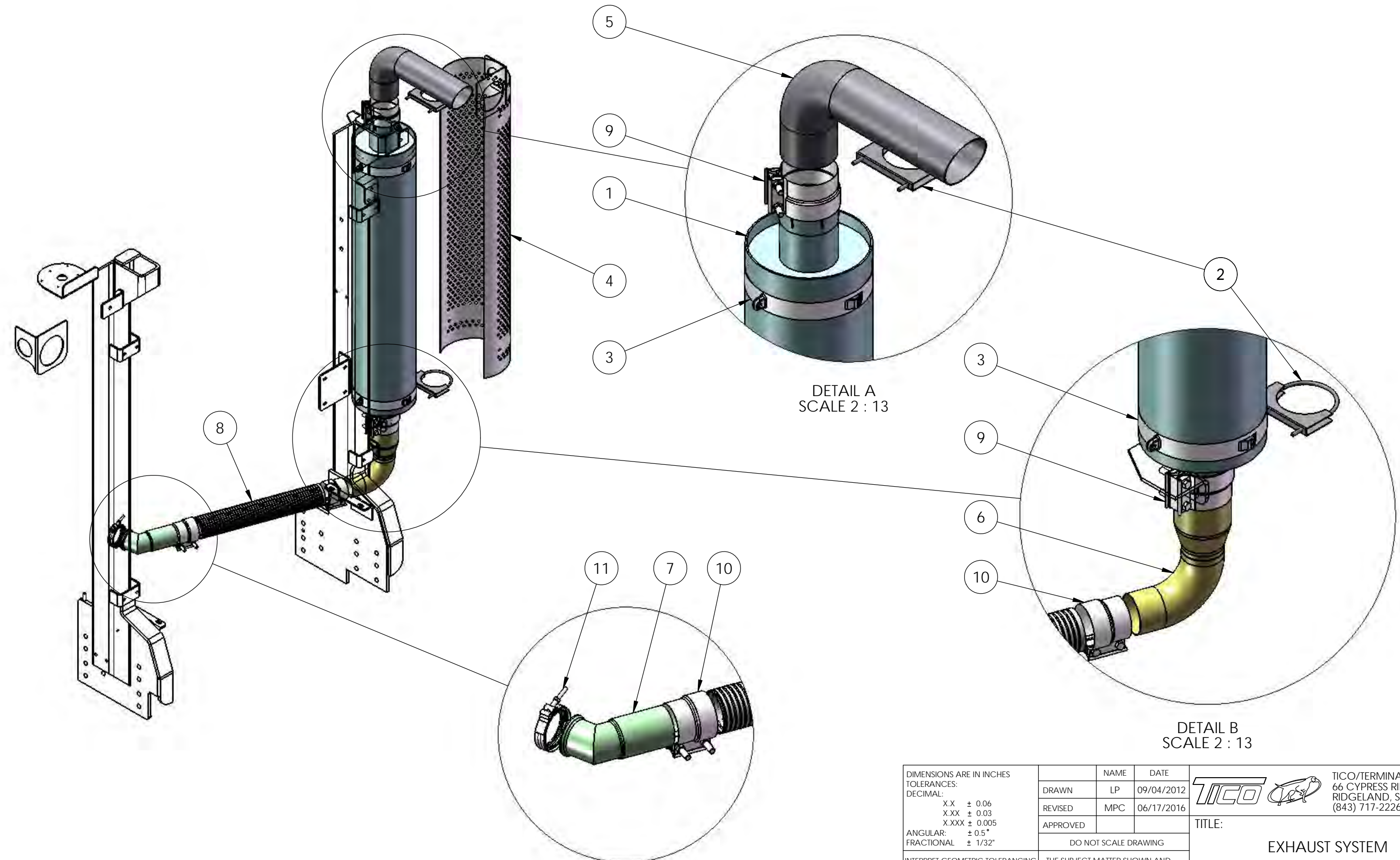


8 7 6 5 4 3 2 1

D
C
B
A


D
C
B
A



DETAIL A
SCALE 2 : 13

DETAIL B
SCALE 2 : 13

DETAIL C
SCALE 2 : 13

DIMENSIONS ARE IN INCHES		NAME	DATE	 TICO/TERMINAL SERVICE 66 CYPRESS RIDGE DR. RIDGELAND, SC 29936 (843) 717-2226	
TOLERANCES:		DRAWN	LP		09/04/2012
DECIMAL:		REVISED	MPC		06/17/2016
X.X ± 0.06 X.XX ± 0.03 X.XXX ± 0.005		APPROVED			
ANGULAR:		DO NOT SCALE DRAWING			TITLE:
FRACTIONAL ± 1/32"					EXHAUST SYSTEM
INTERPRET GEOMETRIC TOLERANCING PER: ASME 14.5M-1994		THE SUBJECT MATTER SHOWN AND DESCRIBED IN THIS DRAWING AND ANY OTHER INFORMATION ADVANCED IN CONNECTION THEREWITH, IS PROPRIETARY PROPERTY AND IS TO BE HELD IN STRICT CONFIDENCE BY YOU. ALL RIGHTS TO ANY INVENTIONS, DESIGNS, TRADE MARKS, TRADE NAMES AND COPYRIGHTS DISCLOSED ARE RESERVED TO TICO TERMINAL SERVICES, INC.			SIZE
MATERIAL		SIZE B			DWG. NO.
FINISH		DWG. NO. 72138-B1			REV
THICKNESS		SHEET 1 OF 1			

8 7 6 5 4 3 2 1

