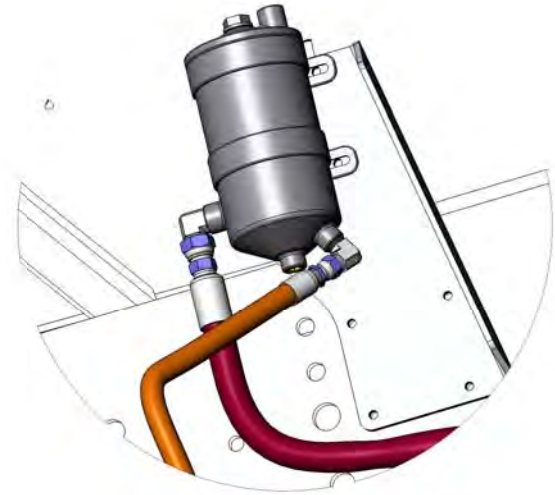
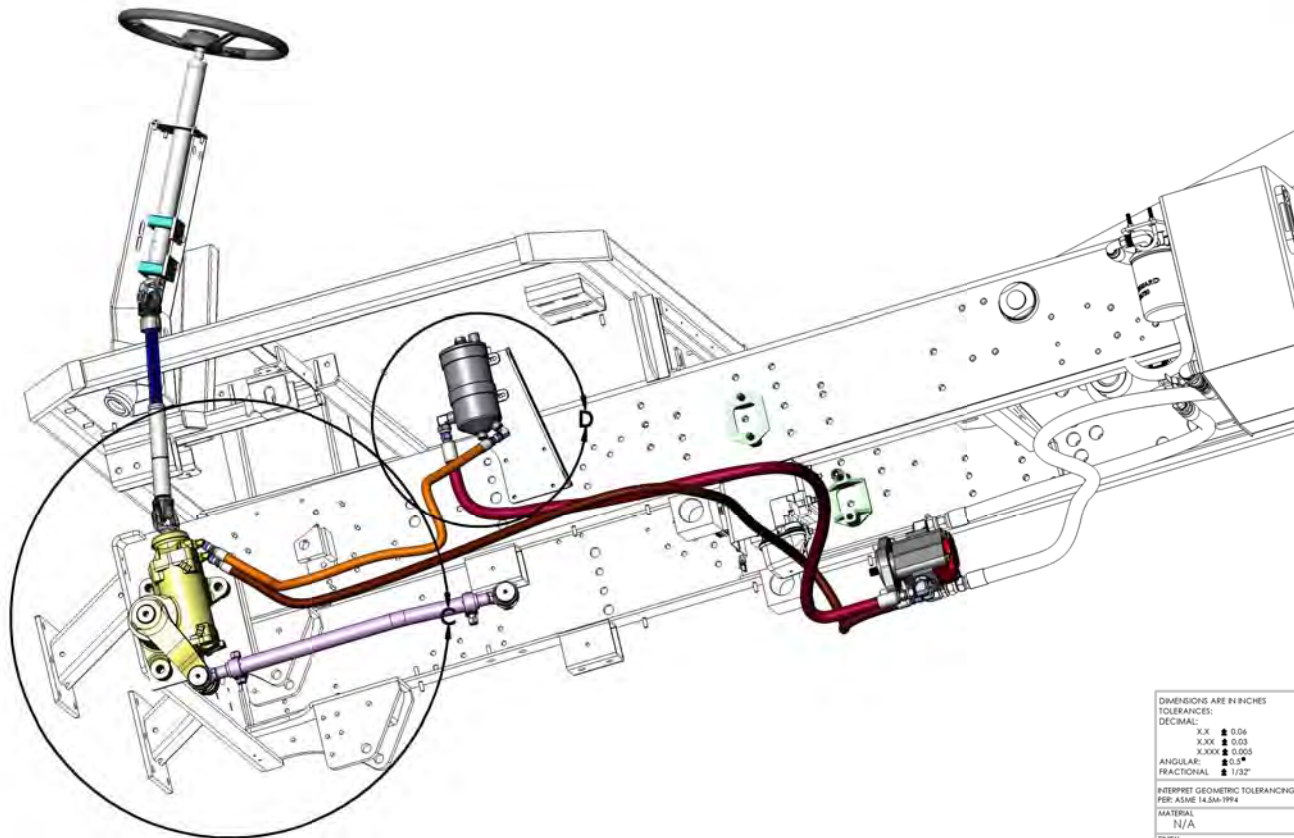


PAGE 2



PAGE 2



DIMENSIONS ARE IN INCHES

TOLERANCES:  
DECIMAL:

XX	± 0.06
XXX	± 0.03
XXXX	± 0.005
ANGULAR:	± 0.5°
FRACTIONAL:	± 1/32"

INTERPRET GEOMETRIC TOLERANCING PER: ASME Y14.5M-1994

MATERIAL: N/A

FINISH: SEE NOTE

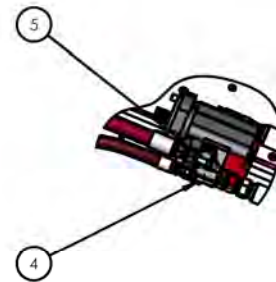
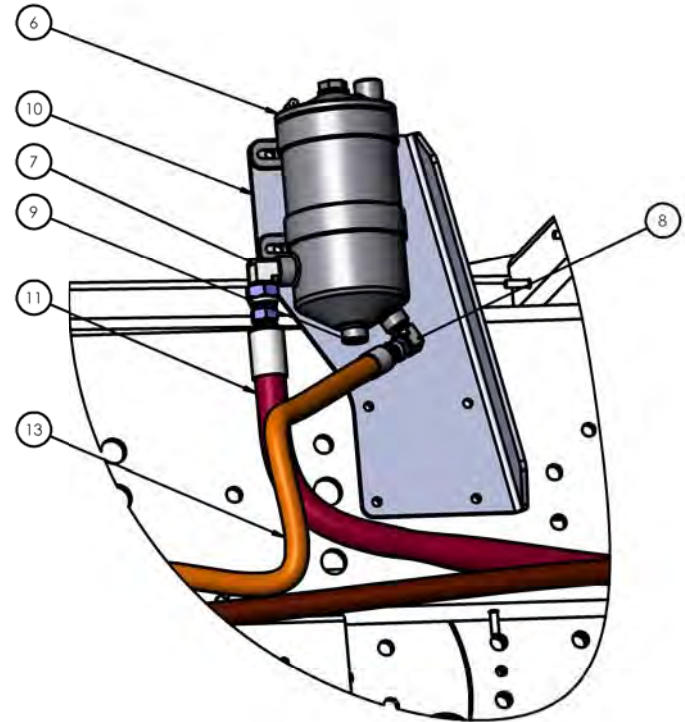
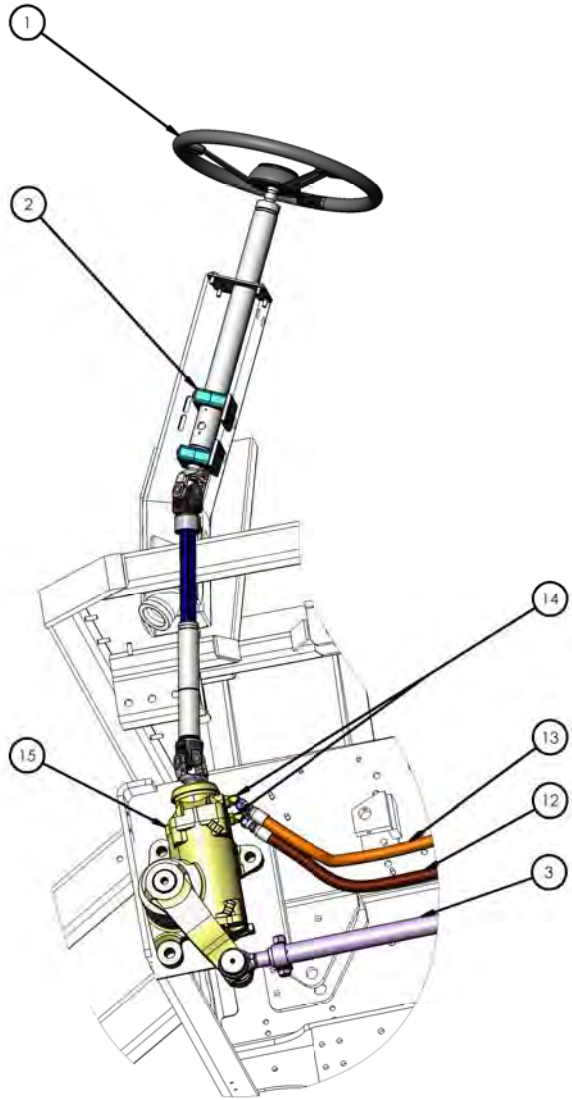
THICKNESS: N/A

NAME	DATE
DRAWN: MAL	01/23/2017
CHECKED:	
APPROVED:	

DO NOT SCALE DRAWING

THE SUBJECT MATTER SHOWN AND DESCRIBED IN THIS DRAWING AND ANY OTHER INFORMATION ADVANCED IN CONNECTION THEREWITH IS PROPRIETARY PROPERTY AND IS TO BE HELD IN STRICT CONFIDENCE BY YOU. ALL RIGHTS TO ANY INVENTIONS, DESIGN, TRADE MARKS, TRADE NAMES AND COPYRIGHTS DECLARED ARE RESERVED TO TICO TERMINAL SERVICES, INC.

		TICO/TERMINAL SERVICE 66 CYPRESS RIDGE DR. RIDGELAND, SC 29936 (843) 717-2226
TITLE: STEERING SYSTEM, SHEPPARD M 100 GEAR		
SIZE: C	DWG. NO. 721371-B1	REV
SCALE: 1:32   WEIGHT: 5172.60   SHEET 1 OF 1		



DIMENSIONS ARE IN INCHES		NAME	DATE	 TICO/TERMINAL SERVICE 66 CYPRESS RIDGE DR. RIDGELAND, SC 29936 (843) 717-2226	
TOLERANCES:		DRAWN	MAL		01/23/2017
DECIMAL:		CHECKED			
.XX ± 0.06 .XXX ± 0.03 .XXXX ± 0.005 ANGULAR: ± 0.5° FRACTIONAL: ± 1/32"		APPROVED			
INTERPRET GEOMETRIC TOLERANCING PER: ASME Y14.5M-1994		DO NOT SCALE DRAWING			TITLE: STEERING SYSTEM, SHEPPARD M 100 GEAR
MATERIAL	N/A	THE SUBJECT MATTER SHOWN AND DESCRIBED IN THIS DRAWING AND ANY OTHER INFORMATION ADVANCED IN CONNECTION THEREWITH IS PROPRIETARY PROPERTY AND IS TO BE HELD IN STRICT CONFIDENCE BY YOU. ALL RIGHTS TO ANY INVENTIONS, DESIGNS, TRADE MARKS, TRADE NAMES AND COPYRIGHTS DECLARED ARE RESERVED TO TICO TERMINAL SERVICES, INC.			SIZE DWG. NO. REV
FINISH	SEE NOTE	SCALE: 1:32   WEIGHT: 5172.60   SHEET 1 OF 1			C 721371-B1
THICKNESS	N/A				



