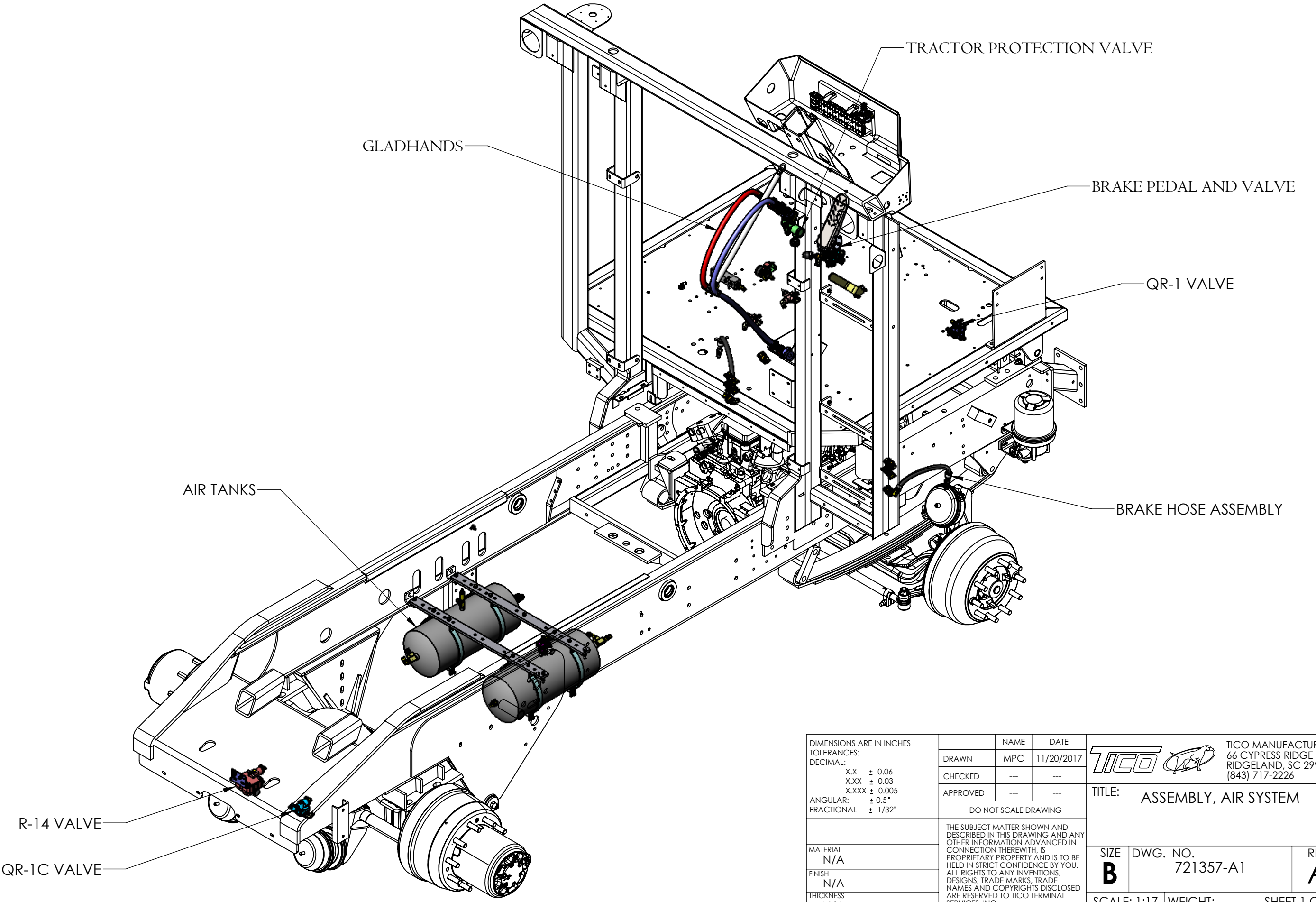



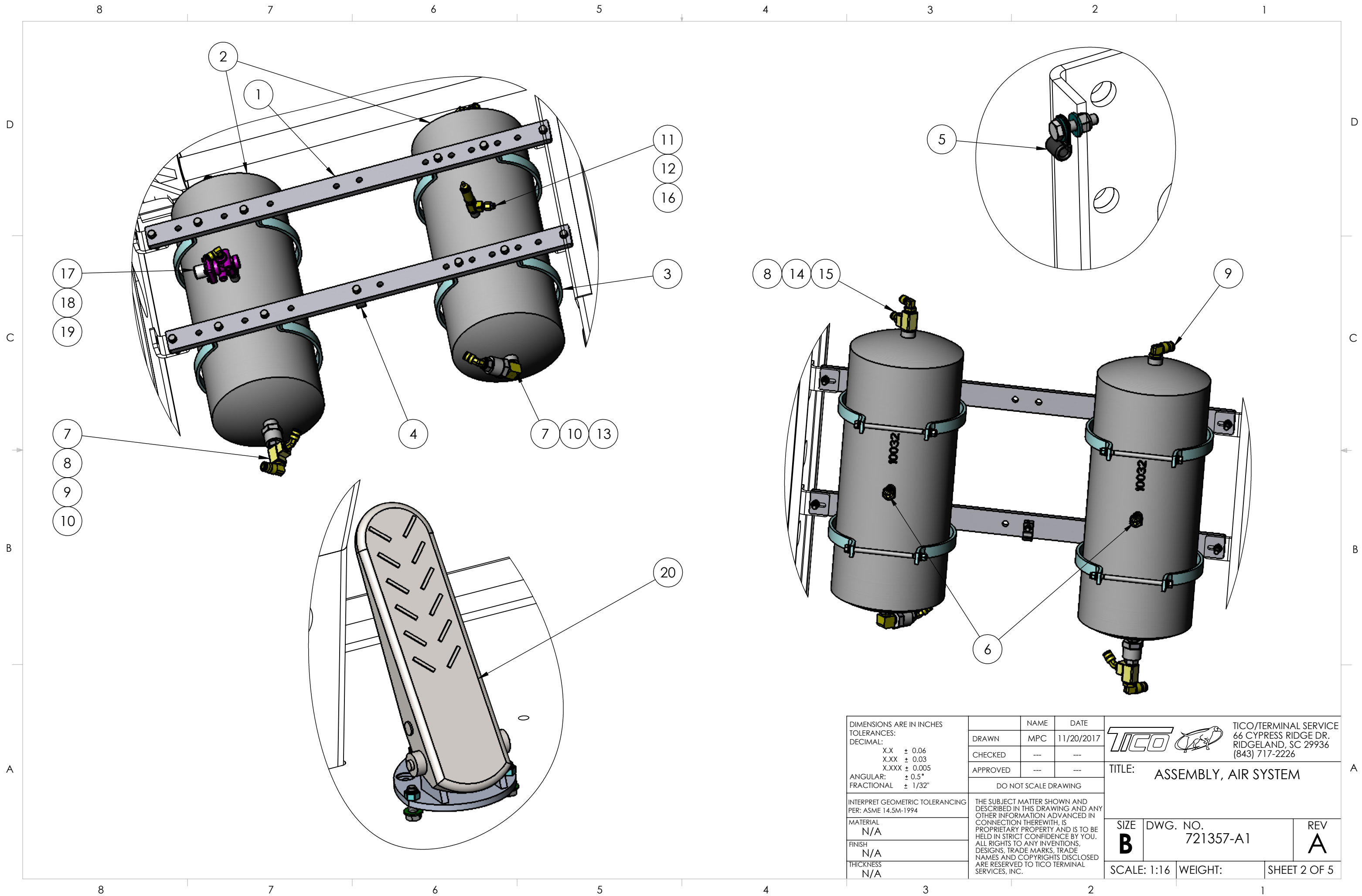
8 7 6 5 4 3 2 1

D  
C  
B  
A




DIMENSIONS ARE IN INCHES TOLERANCES: DECIMAL: X.X ± 0.06 X.XX ± 0.03 X.XXX ± 0.005 ANGULAR: ± 0.5° FRACTIONAL ± 1/32"	NAME	DATE	 TICO MANUFACTURING 66 CYPRESS RIDGE DR. RIDGELAND, SC 29936 (843) 717-2226	
	DRAWN	MPC		11/20/2017
	CHECKED	---		---
	APPROVED	---		---
DO NOT SCALE DRAWING			TITLE: ASSEMBLY, AIR SYSTEM	
MATERIAL	THE SUBJECT MATTER SHOWN AND DESCRIBED IN THIS DRAWING AND ANY OTHER INFORMATION ADVANCED IN CONNECTION THEREWITH, IS PROPRIETARY PROPERTY AND IS TO BE HELD IN STRICT CONFIDENCE BY YOU. ALL RIGHTS TO ANY INVENTIONS, DESIGNS, TRADE MARKS, TRADE NAMES AND COPYRIGHTS DISCLOSED ARE RESERVED TO TICO TERMINAL SERVICES, INC.		SIZE <b>B</b>	
FINISH			DWG. NO. 721357-A1	
THICKNESS			REV <b>A</b>	
SCALE: 1:17		WEIGHT:	SHEET 1 OF 5	

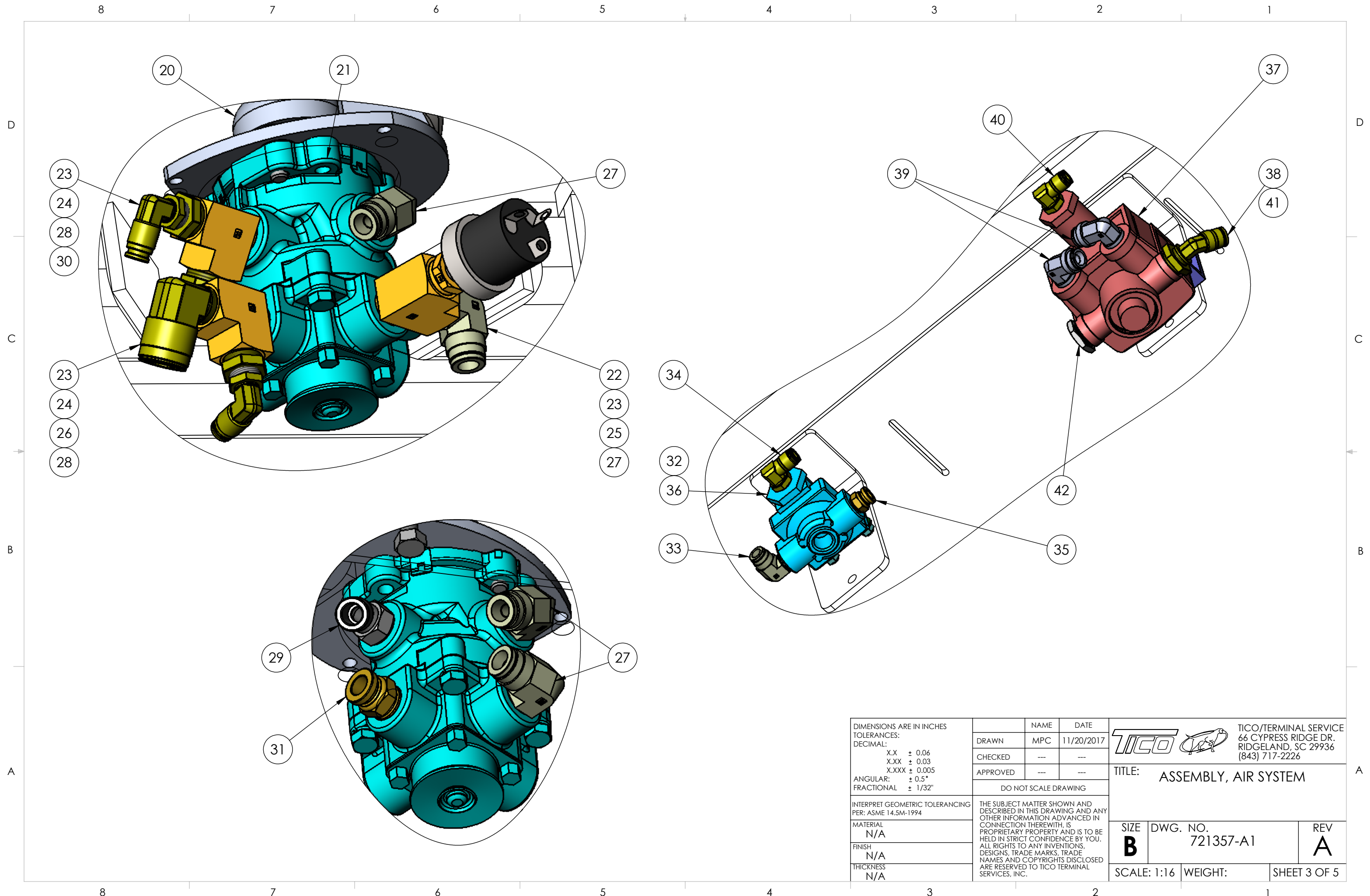
8 7 6 5 4 3 2 1




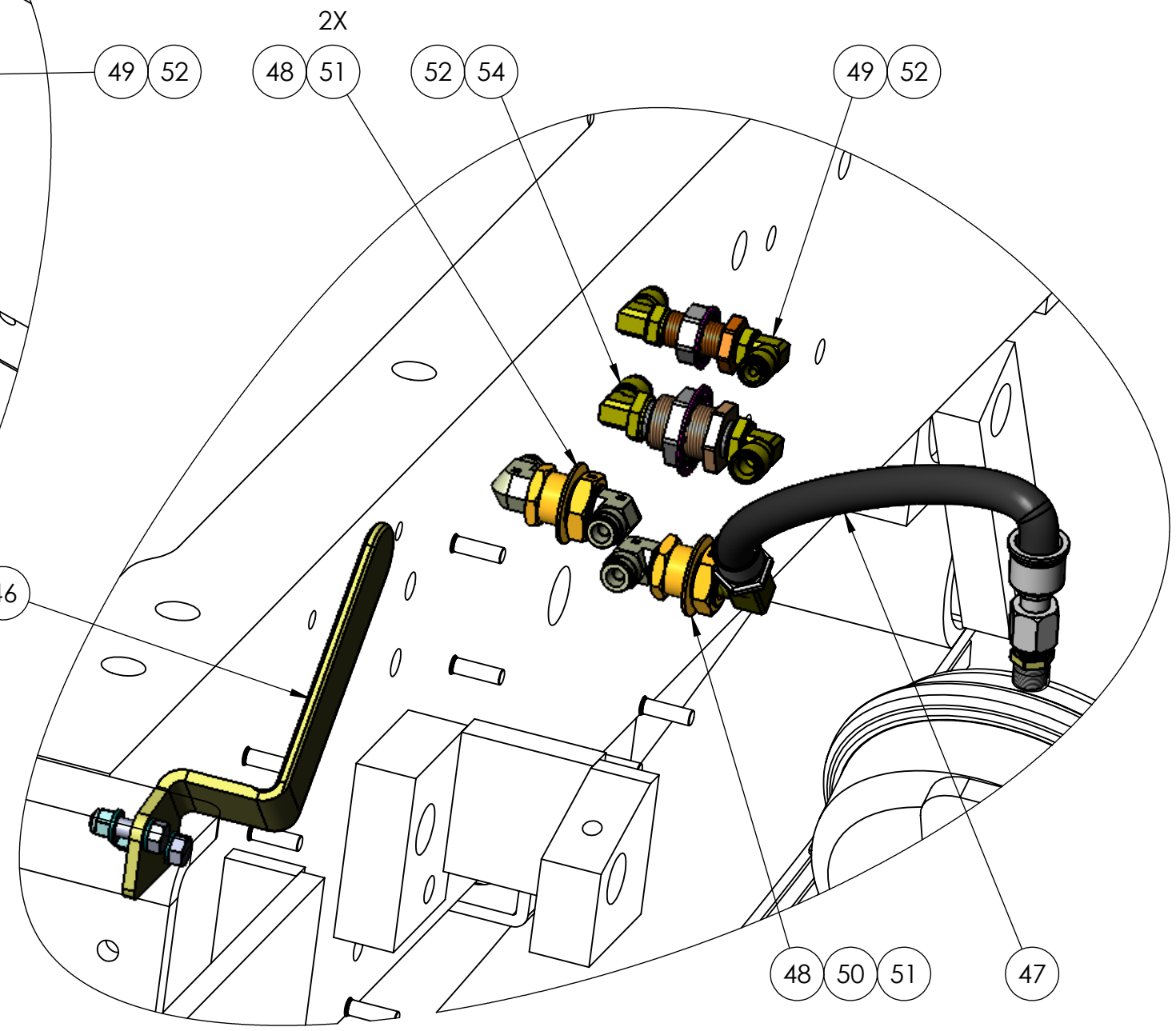
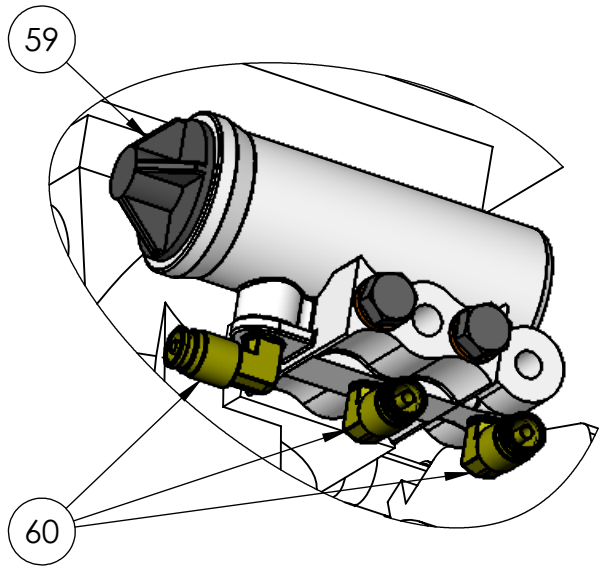
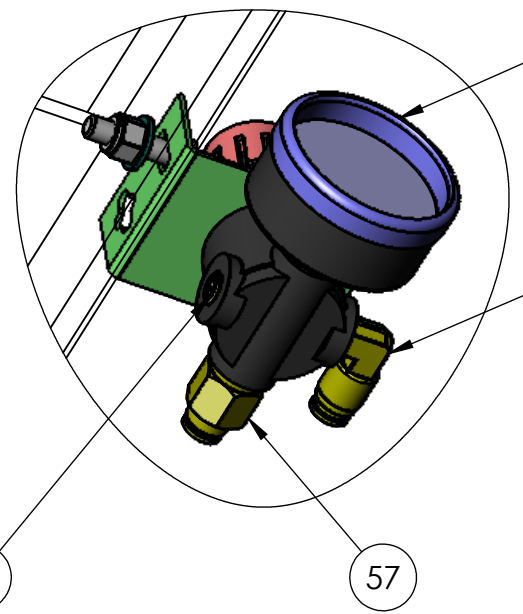
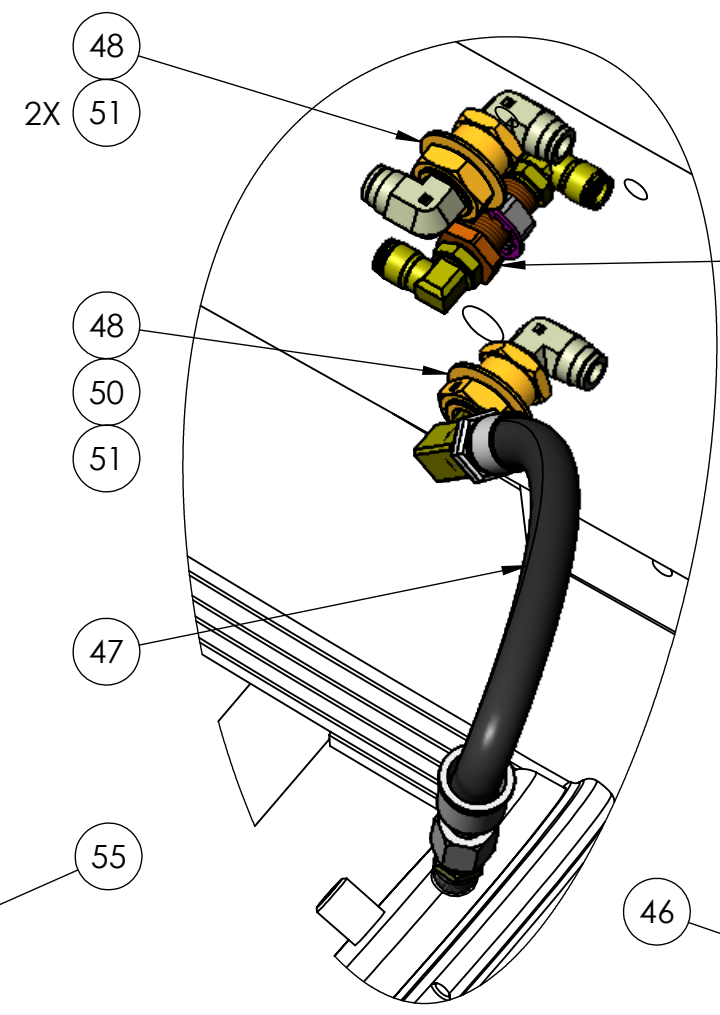
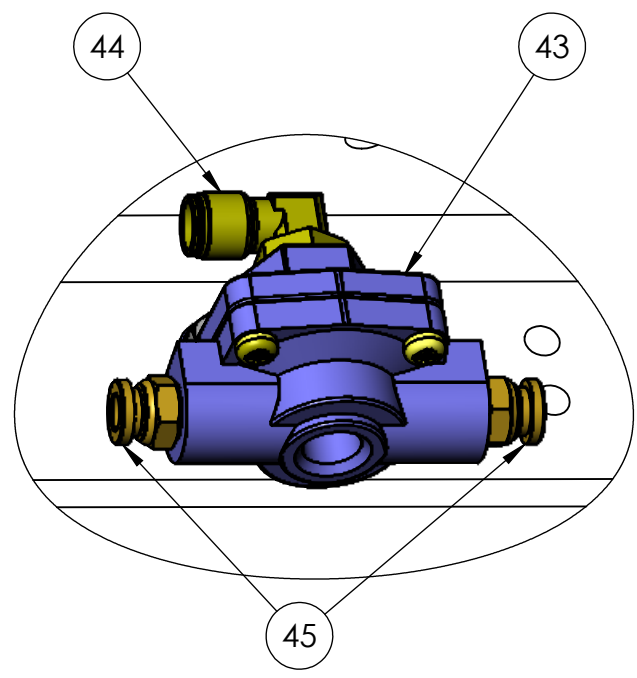
DIMENSIONS ARE IN INCHES	
TOLERANCES:	
DECIMAL:	
X.X	± 0.06
X.XX	± 0.03
X.XXX	± 0.005
ANGULAR:	
	± 0.5°
FRACTIONAL	
	± 1/32"
INTERPRET GEOMETRIC TOLERANCING PER: ASME 14.5M-1994	
MATERIAL	N/A
FINISH	N/A
THICKNESS	N/A


	NAME	DATE
DRAWN	MPC	11/20/2017
CHECKED	---	---
APPROVED	---	---
DO NOT SCALE DRAWING		
THE SUBJECT MATTER SHOWN AND DESCRIBED IN THIS DRAWING AND ANY OTHER INFORMATION ADVANCED IN CONNECTION THEREWITH, IS PROPRIETARY PROPERTY AND IS TO BE HELD IN STRICT CONFIDENCE BY YOU. ALL RIGHTS TO ANY INVENTIONS, DESIGNS, TRADE MARKS, TRADE NAMES AND COPYRIGHTS DISCLOSED ARE RESERVED TO TICO TERMINAL SERVICES, INC.		

 TICO/TERMINAL SERVICE 66 CYPRESS RIDGE DR. RIDGELAND, SC 29936 (843) 717-2226	
TITLE: ASSEMBLY, AIR SYSTEM	
SIZE <b>B</b>	DWG. NO. 721357-A1
SCALE: 1:16	WEIGHT:
REV <b>A</b>	SHEET 2 OF 5



DIMENSIONS ARE IN INCHES TOLERANCES: DECIMAL: X.X ± 0.06 X.XX ± 0.03 X.XXX ± 0.005 ANGULAR: ± 0.5° FRACTIONAL ± 1/32"	NAME	DATE	 TICO/TERMINAL SERVICE 66 CYPRESS RIDGE DR. RIDGELAND, SC 29936 (843) 717-2226		
	DRAWN	MPC		11/20/2017	
	CHECKED	---		---	
	APPROVED	---		---	
INTERPRET GEOMETRIC TOLERANCING PER: ASME 14.5M-1994	DO NOT SCALE DRAWING		TITLE: ASSEMBLY, AIR SYSTEM		
MATERIAL N/A	THE SUBJECT MATTER SHOWN AND DESCRIBED IN THIS DRAWING AND ANY OTHER INFORMATION ADVANCED IN CONNECTION THEREWITH, IS PROPRIETARY PROPERTY AND IS TO BE HELD IN STRICT CONFIDENCE BY YOU. ALL RIGHTS TO ANY INVENTIONS, DESIGNS, TRADE MARKS, TRADE NAMES AND COPYRIGHTS DISCLOSED ARE RESERVED TO TICO TERMINAL SERVICES, INC.		SIZE <b>B</b>		
FINISH N/A			DWG. NO. 721357-A1	REV <b>A</b>	
THICKNESS N/A			SCALE: 1:16	WEIGHT:	SHEET 3 OF 5

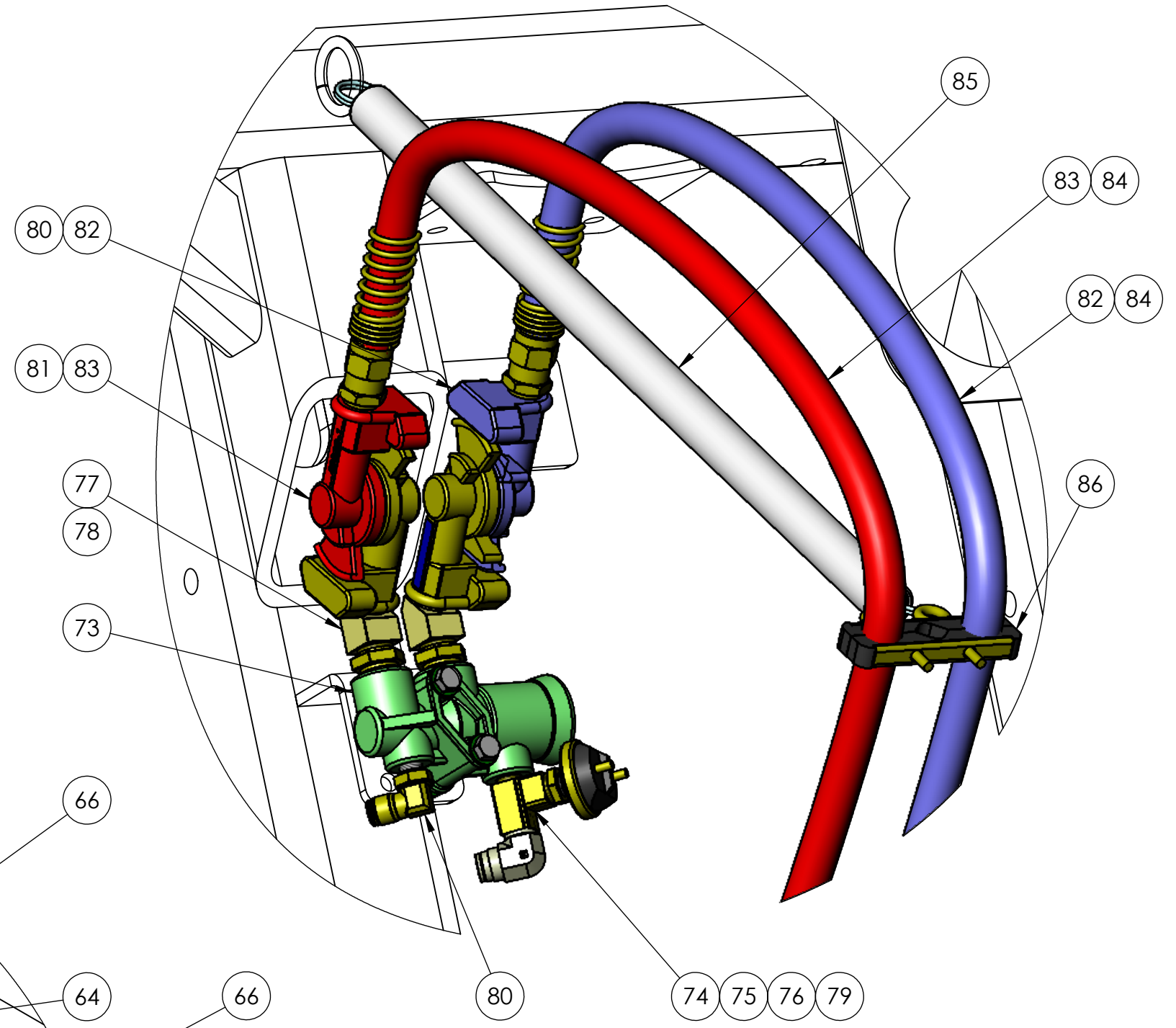
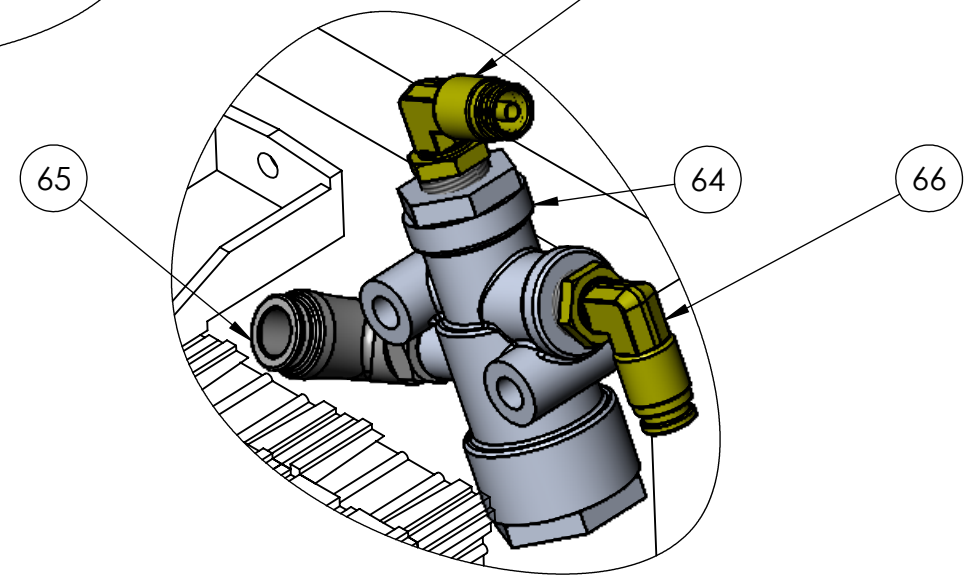
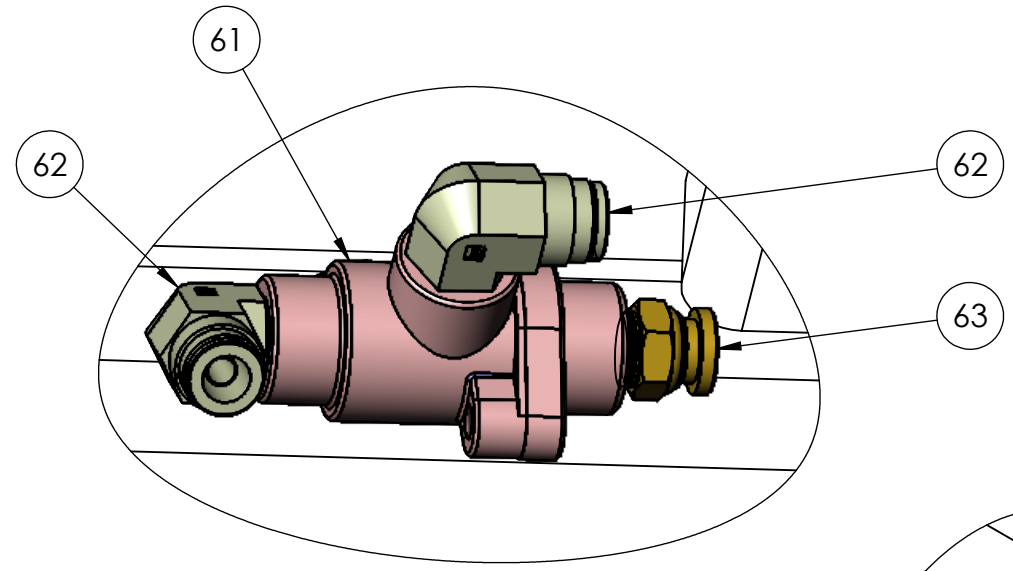
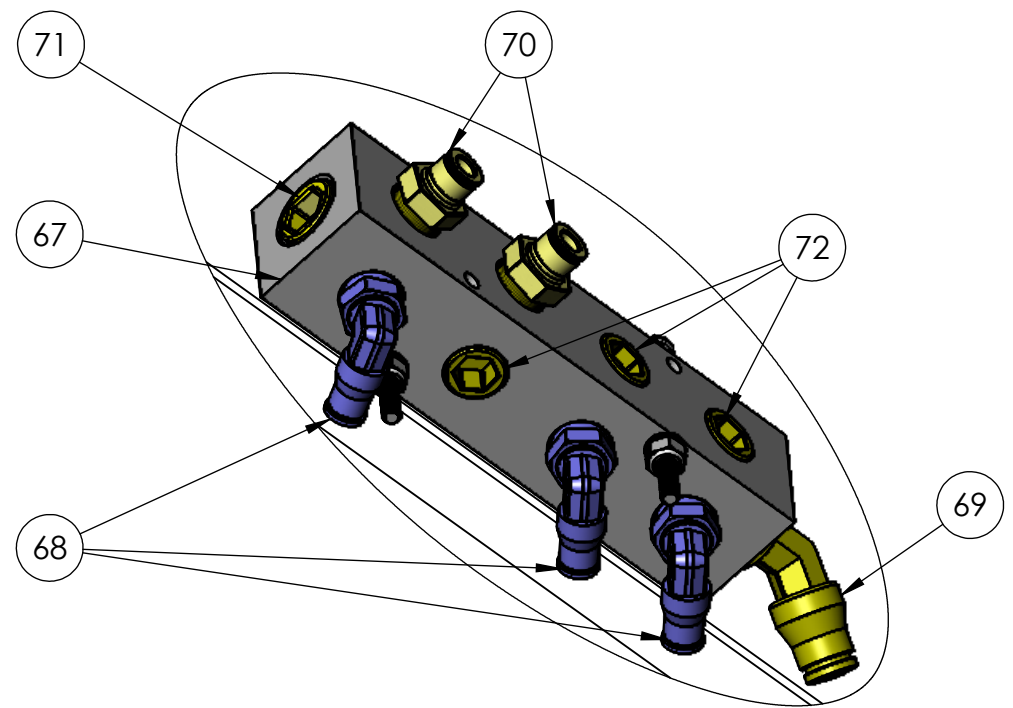



DIMENSIONS ARE IN INCHES TOLERANCES: DECIMAL: X.X ± 0.06 X.XX ± 0.03 X.XXX ± 0.005 ANGULAR: ± 0.5° FRACTIONAL ± 1/32"	DRAWN MPC	NAME MPC	DATE 11/20/2017	 TICO/TERMINAL SERVICE 66 CYPRESS RIDGE DR. RIDGELAND, SC 29936 (843) 717-2226			
	CHECKED ---	APPROVED ---	TITLE: ASSEMBLY, AIR SYSTEM				
	DO NOT SCALE DRAWING				SIZE <b>B</b>	DWG. NO. 721357-A1	REV <b>A</b>
	INTERPRET GEOMETRIC TOLERANCING PER: ASME 14.5M-1994	THE SUBJECT MATTER SHOWN AND DESCRIBED IN THIS DRAWING AND ANY OTHER INFORMATION ADVANCED IN CONNECTION THEREWITH, IS PROPRIETARY PROPERTY AND IS TO BE HELD IN STRICT CONFIDENCE BY YOU. ALL RIGHTS TO ANY INVENTIONS, DESIGNS, TRADE MARKS, TRADE NAMES AND COPYRIGHTS DISCLOSED ARE RESERVED TO TICO TERMINAL SERVICES, INC.			SCALE: 1:16	WEIGHT:	SHEET 4 OF 5
MATERIAL N/A	FINISH N/A	THICKNESS N/A					

8 7 6 5 4 3 2 1

D  
C  
B  
A

D  
C  
B  
A



DIMENSIONS ARE IN INCHES TOLERANCES: DECIMAL: X.X ± 0.06 X.XX ± 0.03 X.XXX ± 0.005 ANGULAR: ± 0.5° FRACTIONAL ± 1/32"	DRAWN MPC	NAME MPC	DATE 11/20/2017	 TICO/TERMINAL SERVICE 66 CYPRESS RIDGE DR. RIDGELAND, SC 29936 (843) 717-2226			
	CHECKED ---	APPROVED ---	TITLE: ASSEMBLY, AIR SYSTEM				
	DO NOT SCALE DRAWING				SIZE <b>B</b>	DWG. NO. 721357-A1	REV <b>A</b>
	INTERPRET GEOMETRIC TOLERANCING PER: ASME 14.5M-1994	THE SUBJECT MATTER SHOWN AND DESCRIBED IN THIS DRAWING AND ANY OTHER INFORMATION ADVANCED IN CONNECTION THEREWITH, IS PROPRIETARY PROPERTY AND IS TO BE HELD IN STRICT CONFIDENCE BY YOU. ALL RIGHTS TO ANY INVENTIONS, DESIGNS, TRADE MARKS, TRADE NAMES AND COPYRIGHTS DISCLOSED ARE RESERVED TO TICO TERMINAL SERVICES, INC.			SCALE: 1:16	WEIGHT:	SHEET 5 OF 5
MATERIAL N/A							
FINISH N/A							
THICKNESS N/A							

8 7 6 5 4 3 2 1

TICO PRO-SPOTTER				
			ASSEMBLY, AIR SYSTEM	721357
ITEM	PART #	QTY	DESCRIPTION	NOTE
	721357-A1	REF	ASSEMBLY, AIR SYSTEM	
	620591	REF	SCHEMATIC, DUAL BRAKE SYSTEM, 2 TANKS, R-14	
			NOTE: SET AIR GOVERNOR AT 120 PSI	
NOT SHOWN	11000	20 FT	TUBING, NYLON, AIR BRAKE, 1/4 YELLOW	
NOT SHOWN	11020	20 FT	TUBING, NYLON, AIR BRAKE, 1/4 WHITE	
NOT SHOWN	11021	20 FT	TUBING, NYLON, AIR BRAKE, 1/4 BLUE	
NOT SHOWN	11003	20 FT	TUBING, NYLON, AIR BRAKE, 1/4 BLACK	
NOT SHOWN	11007	20 FT	TUBING, NYLON, AIR BRAKE, 3/8 RED	
NOT SHOWN	11023	20 FT	TUBING, NYLON, AIR BRAKE, 3/8 GREEN	
NOT SHOWN	11001	20 FT	TUBING, NYLON, AIR BRAKE, 3/8 BLUE	
NOT SHOWN	11026	20 FT	TUBING, NYLON, AIR BRAKE, 3/8 ORANGE	
NOT SHOWN	11004	20 FT	TUBING, NYLON, AIR BRAKE, 3/8 BLACK	
NOT SHOWN	11013	20 FT	TUBING, NYLON, AIR BRAKE, 3/8 YELLOW	
NOT SHOWN	11005	20 FT	TUBING, NYLON, AIR BRAKE, 1/2 BLACK	
NOT SHOWN	11009	20 FT	TUBING, NYLON, AIR BRAKE, 1/2 BLUE	
NOT SHOWN	11014	20 FT	TUBING, NYLON, AIR BRAKE, 1/2 YELLOW	
NOT SHOWN	11025	20 FT	TUBING, NYLON, AIR BRAKE, 5/8 BLACK	
NOT SHOWN	11024	20 FT	TUBING, NYLON, AIR BRAKE, 5/8 GREEN	
1	12357	2	SUPPORT BAR, AIR TANK	
NO BALLOON	82416	2	BOLT, HEX HEAD, 3/8-16 X 2 LONG	
NO BALLOON	82405	2	BOLT, HEX HEAD, 3/8-16 X 1-3/4 LONG	
NO BALLOON	85091	8	WASHER, FLAT, 3/8	
NO BALLOON	85025	4	LOCKNUT, NYLON, 3/8-16	
2	10032	2	TANK, AIR-10	
3	40393-1	8	BRACKET, AIR TANK	
4	40826	1	CLAMP, LOOM, 1/2"	
5	42202	1	P-CLAMP, 1/4"	
NO BALLOON	82370	1	BOLT, HEX HEAD, 1/4-20 X 1 LONG	
NO BALLOON	82603	4	BOLT, HEX HEAD, 3/8-16 X 6-1/2 LONG	
NO BALLOON	82394	9	BOLT, HEX HEAD, 3/8-16 X 1-1/2 LONG	
NO BALLOON	85089	2	WASHER, FLAT, 1/4	
NO BALLOON	85091	42	WASHER, FLAT, 3/8	
NO BALLOON	85023	1	LOCKNUT, NYLON, 1/4-20	
NO BALLOON	85025	13	LOCKNUT, NYLON, 3/8-16	
	FITTINGS		BOTH TANKS	
6	40148	2	VALVE, DRAIN, AIR TANK (WITH 5' LANYARD)	
7	40029-1	2	VALVE, CHECK, AIR TANK	
8	40848	2	FITTING, TEE, STREET, BRASS, 1/2 NPT	
9	40878	3	FITTING, ELBOW, 90°, 1/2 NPT X 5/8 TUBE	
10	40822	2	FITTING, ELBOW, 45°, 1/2 NPT X 1/2 TUBE	
<b>REV</b>	<b>DATE</b>	<b>BY</b>		<b>SHEET</b>
A	06/24/2020	AGW		1
				<b>OF</b>
				5

TICO MANUFACTURING - RIDGELAND, SC 29936

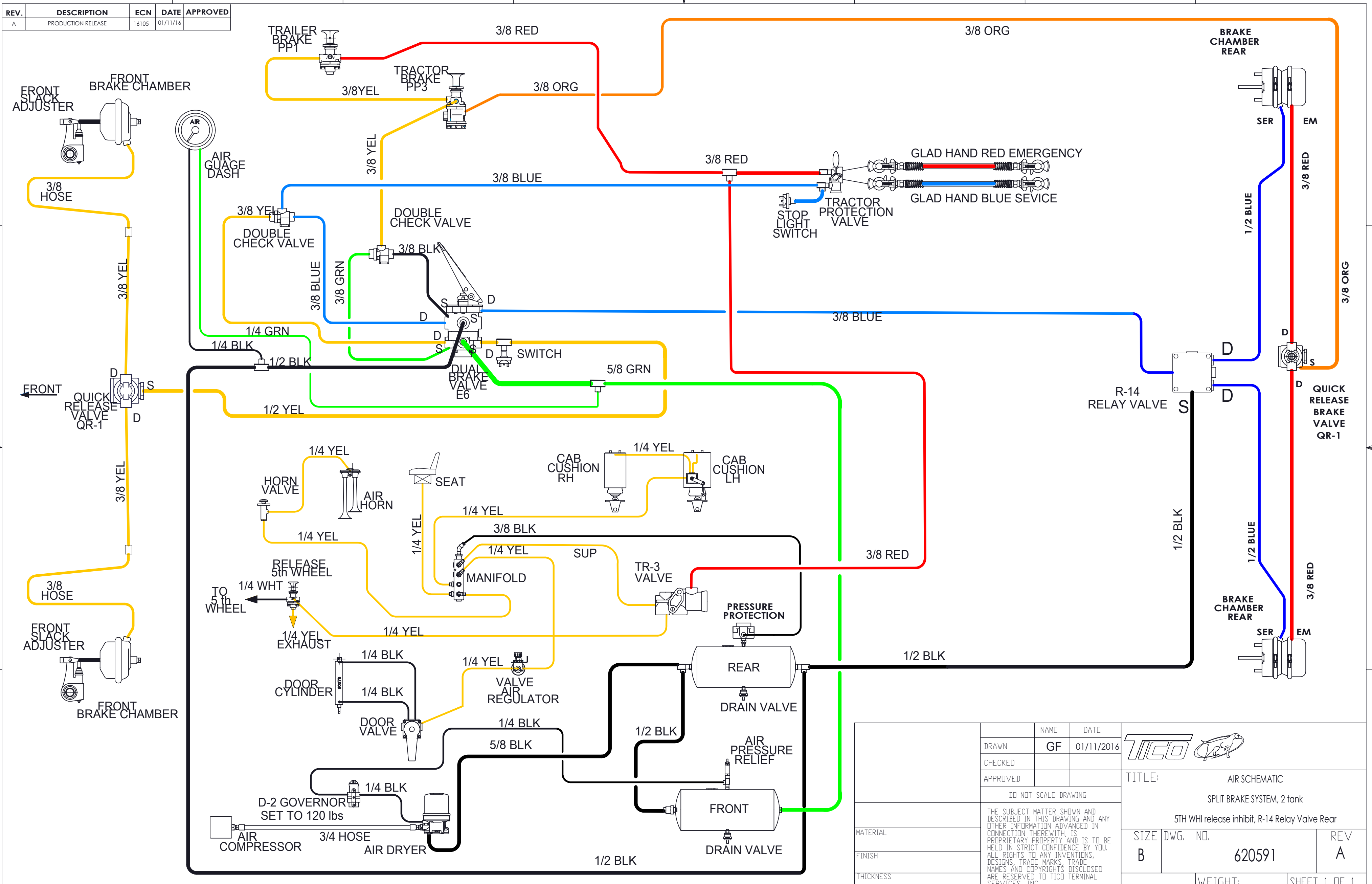








REV.	DESCRIPTION	ECN	DATE	APPROVED
A	PRODUCTION RELEASE	16105	01/11/16	



MATERIAL	NAME	DATE		
	DRAWN	GF		01/11/2016
	CHECKED			
	APPROVED			
DO NOT SCALE DRAWING			TITLE:	
THE SUBJECT MATTER SHOWN AND DESCRIBED IN THIS DRAWING AND ANY OTHER INFORMATION ADVANCED IN CONNECTION THEREWITH IS PROPRIETARY PROPERTY AND IS TO BE HELD IN STRICT CONFIDENCE BY YOU. ALL RIGHTS TO ANY INVENTIONS, DESIGNS, TRADE MARKS, TRADE NAMES AND COPYRIGHTS DISCLOSED ARE RESERVED TO TICO TERMINAL SERVICES, INC.			AIR SCHEMATIC SPLIT BRAKE SYSTEM, 2 tank 5TH WHI release inhibit, R-14 Relay Valve Rear	
SIZE	DWG. NO.	REV		
B	620591	A		
WEIGHT:		SHEET 1 OF 1		