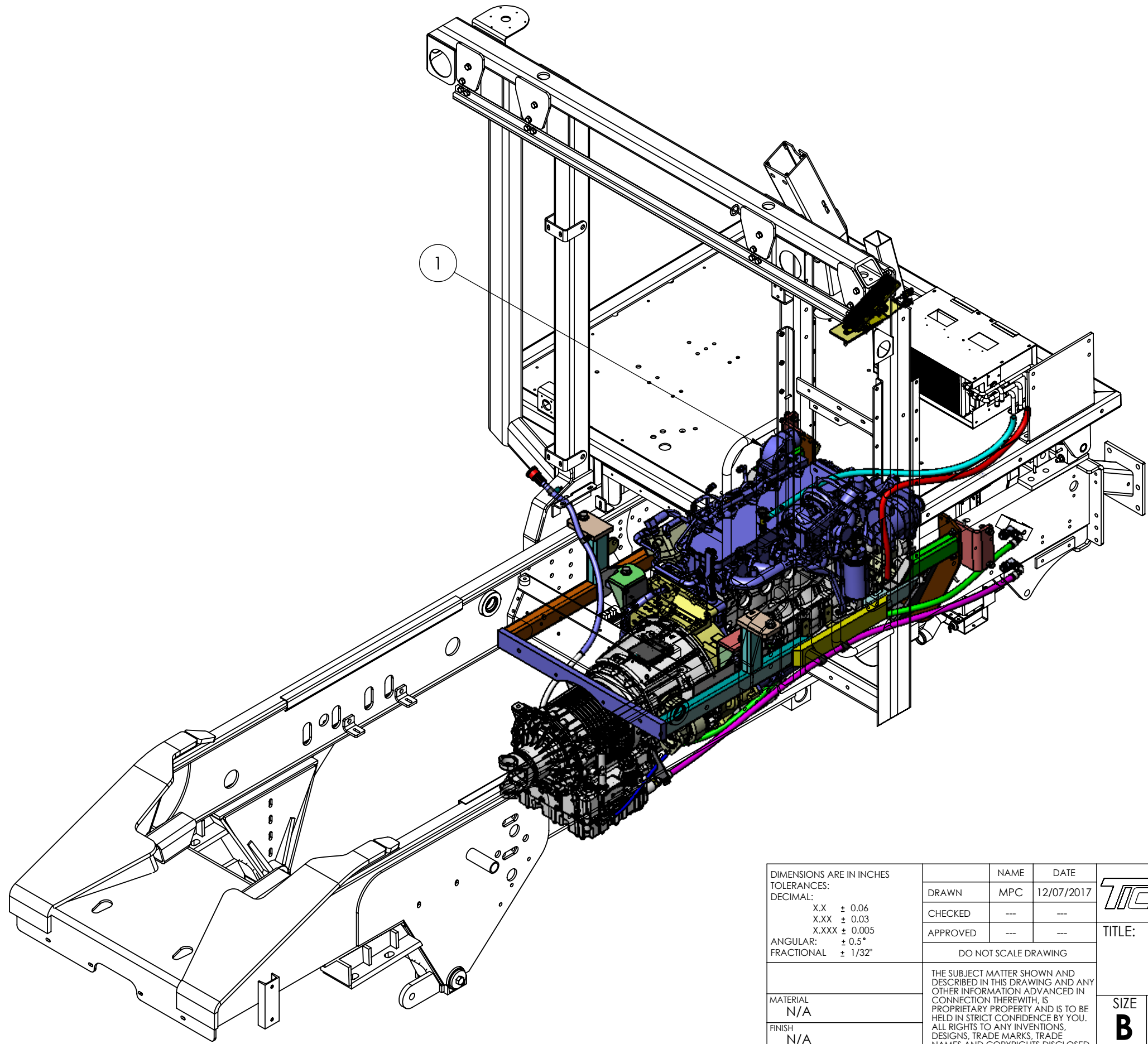


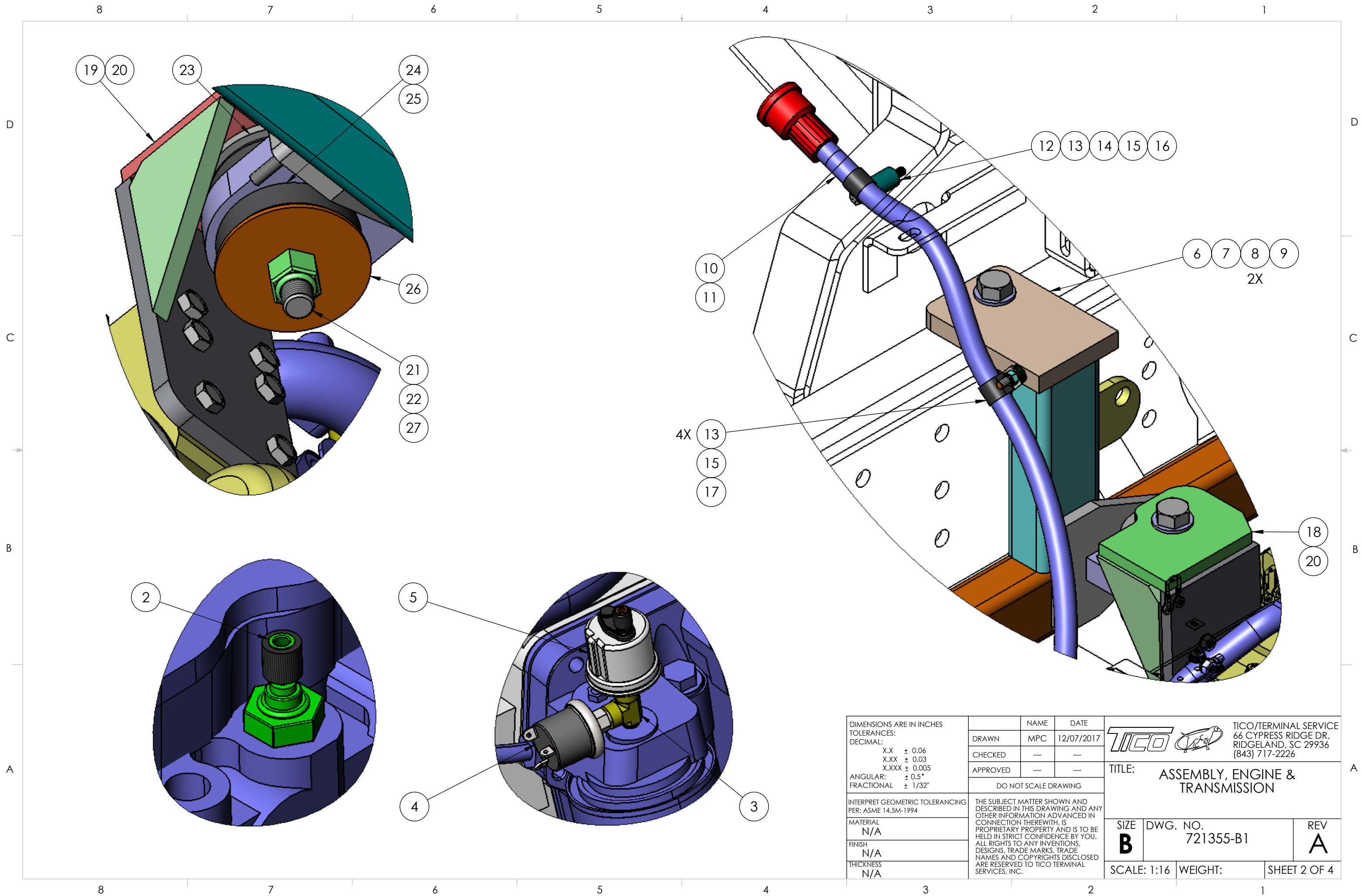
8 7 6 5 4 3 2 1

D  
C  
B  
A



DIMENSIONS ARE IN INCHES TOLERANCES: DECIMAL: X.X ± 0.06 X.XX ± 0.03 X.XXX ± 0.005 ANGULAR: ± 0.5° FRACTIONAL ± 1/32"	DRAWN	NAME	DATE
	CHECKED	MPC	12/07/2017
	APPROVED	---	---
	DO NOT SCALE DRAWING		
MATERIAL	THE SUBJECT MATTER SHOWN AND DESCRIBED IN THIS DRAWING AND ANY OTHER INFORMATION ADVANCED IN CONNECTION THEREWITH, IS PROPRIETARY PROPERTY AND IS TO BE HELD IN STRICT CONFIDENCE BY YOU. ALL RIGHTS TO ANY INVENTIONS, DESIGNS, TRADE MARKS, TRADE NAMES AND COPYRIGHTS DISCLOSED ARE RESERVED TO TICO TERMINAL SERVICES, INC.		
FINISH			
THICKNESS			
TICO MANUFACTURING 66 CYPRESS RIDGE DR. RIDGELAND, SC 29936 (843) 717-2226		TITLE: ASSEMBLY, ENGINE & TRANSMISSION	
SIZE	DWG. NO.	REV	
<b>B</b>	721355-B1	<b>A</b>	
SCALE: 1:16	WEIGHT:	SHEET 1 OF 4	

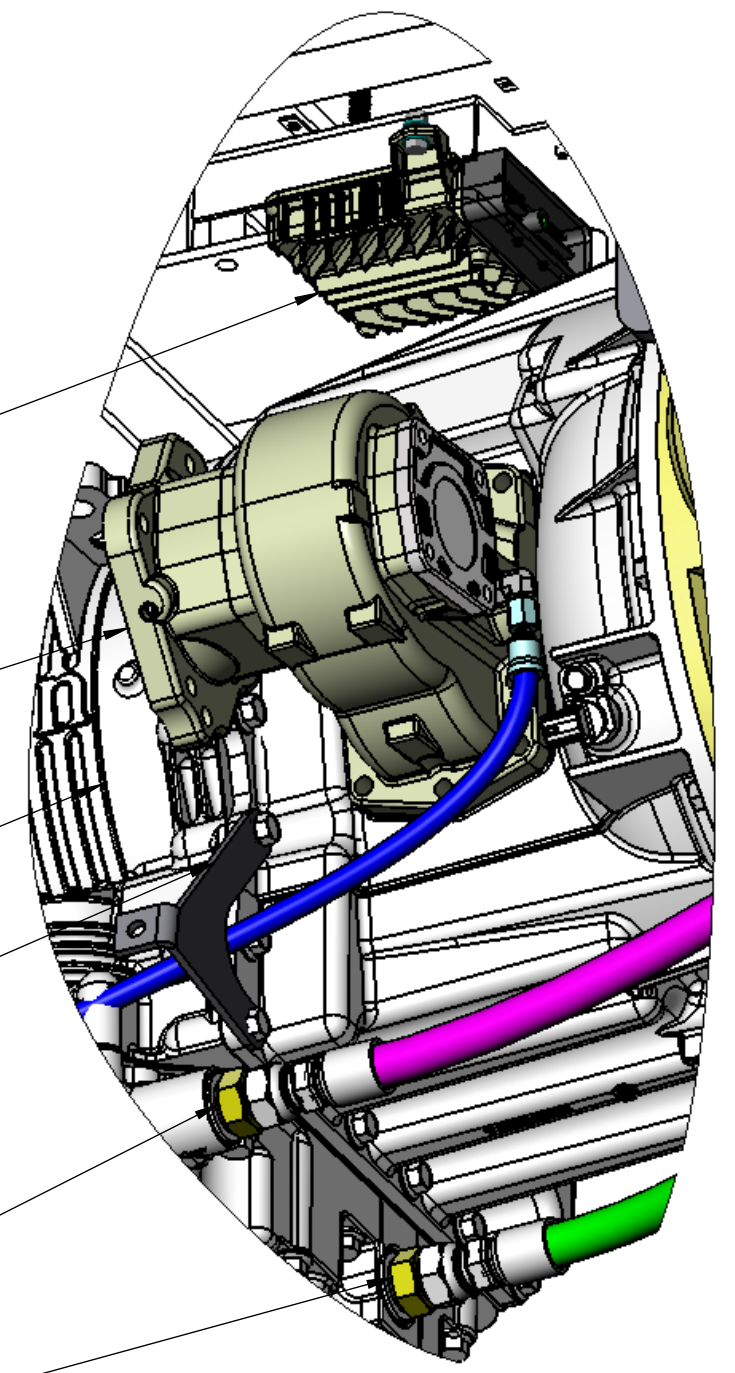
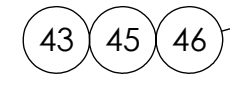
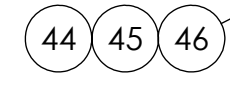
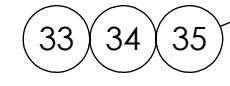
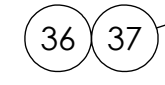
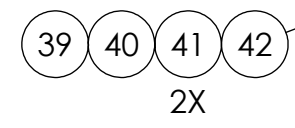
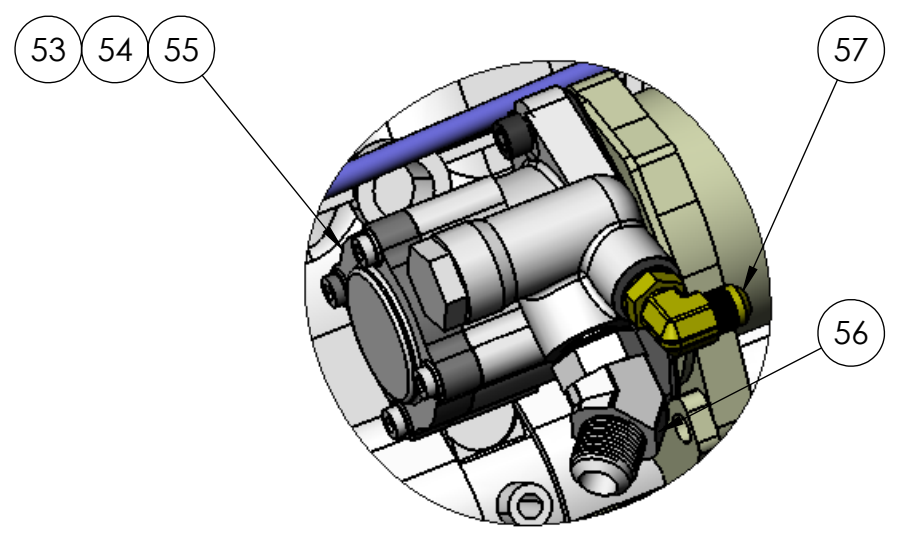
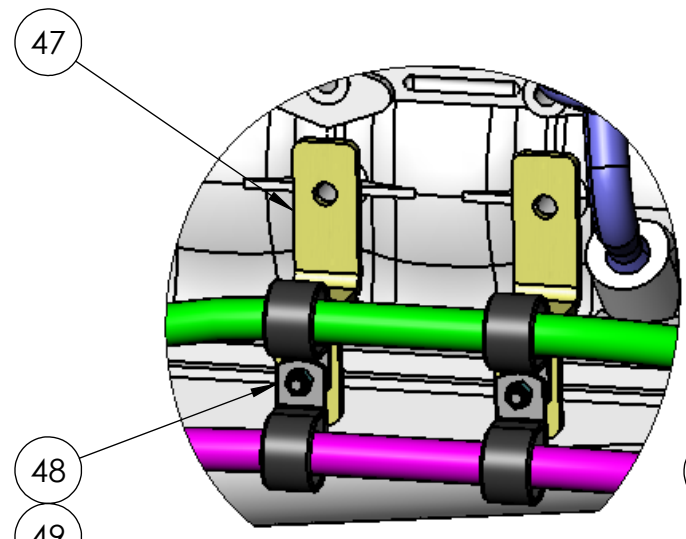
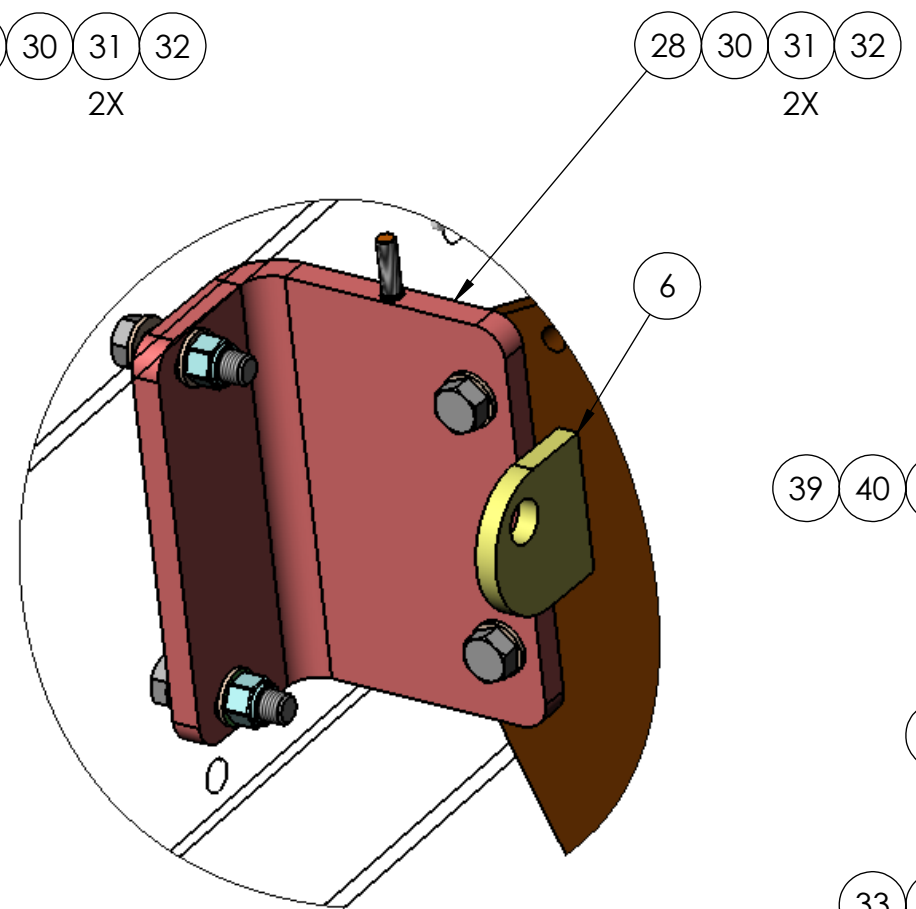
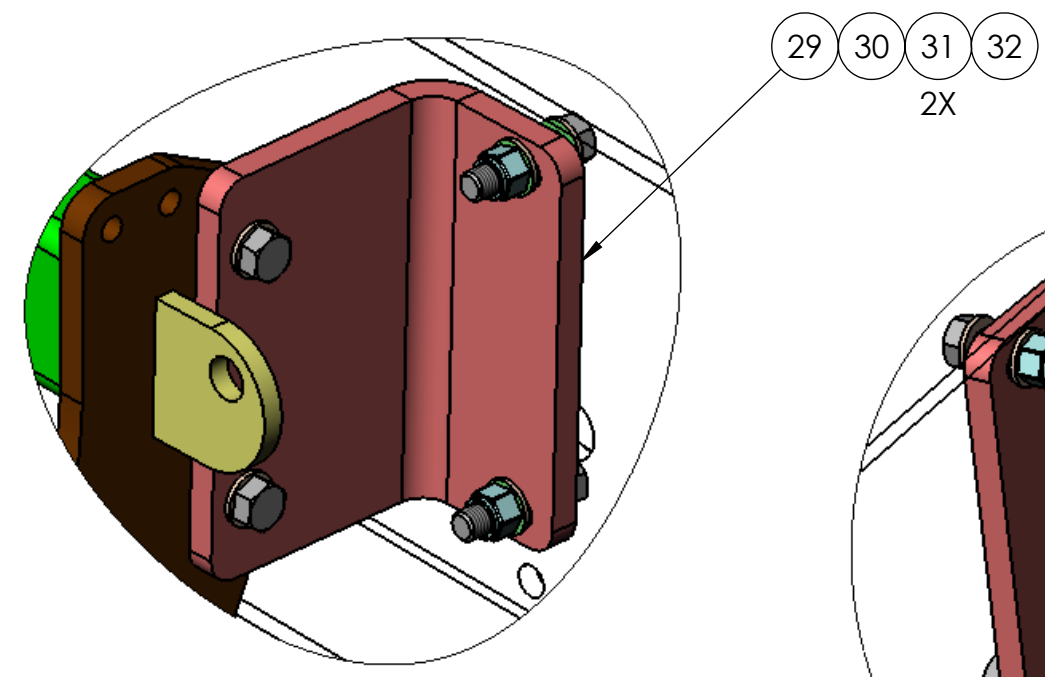
8 7 6 5 4 3 2 1



DIMENSIONS ARE IN INCHES TOLERANCES: DECIMAL: X.X ± 0.06 X.XX ± 0.03 X.XXX ± 0.005 ANGULAR: ± 0.5° FRACTIONAL ± 1/32"	DRAWN MPC	NAME MPC	DATE 12/07/2017
	CHECKED ---	---	---
	APPROVED ---	---	---
	DO NOT SCALE DRAWING		
INTERPRET GEOMETRIC TOLERANCING PER: ASME 14.5M-1994	THE SUBJECT MATTER SHOWN AND DESCRIBED IN THIS DRAWING AND ANY OTHER INFORMATION ADVANCED IN CONNECTION THEREWITH, IS PROPRIETARY PROPERTY AND IS TO BE HELD IN STRICT CONFIDENCE BY YOU. ALL RIGHTS TO ANY INVENTIONS, DESIGNS, TRADE MARKS, TRADE NAMES AND COPYRIGHTS DISCLOSED ARE RESERVED TO TICO TERMINAL SERVICES, INC.		
MATERIAL N/A	TITLE: ASSEMBLY, ENGINE & TRANSMISSION		TICO/TERMINAL SERVICE 66 CYPRESS RIDGE DR. RIDGELAND, SC 29936 (843) 717-2226
FINISH N/A	SIZE <b>B</b>	DWG. NO. 721355-B1	REV <b>A</b>
THICKNESS N/A	SCALE: 1:16	WEIGHT:	SHEET 2 OF 4

D  
C  
B  
A

D  
C  
B  
A



DIMENSIONS ARE IN INCHES  
TOLERANCES:  
DECIMAL:  
X.X ± 0.06  
X.XX ± 0.03  
X.XXX ± 0.005  
ANGULAR: ± 0.5°  
FRACTIONAL ± 1/32"

INTERPRET GEOMETRIC TOLERANCING PER: ASME 14.5M-1994

MATERIAL: N/A  
FINISH: N/A  
THICKNESS: N/A

	NAME	DATE
DRAWN	MPC	12/07/2017
CHECKED	---	---
APPROVED	---	---

DO NOT SCALE DRAWING

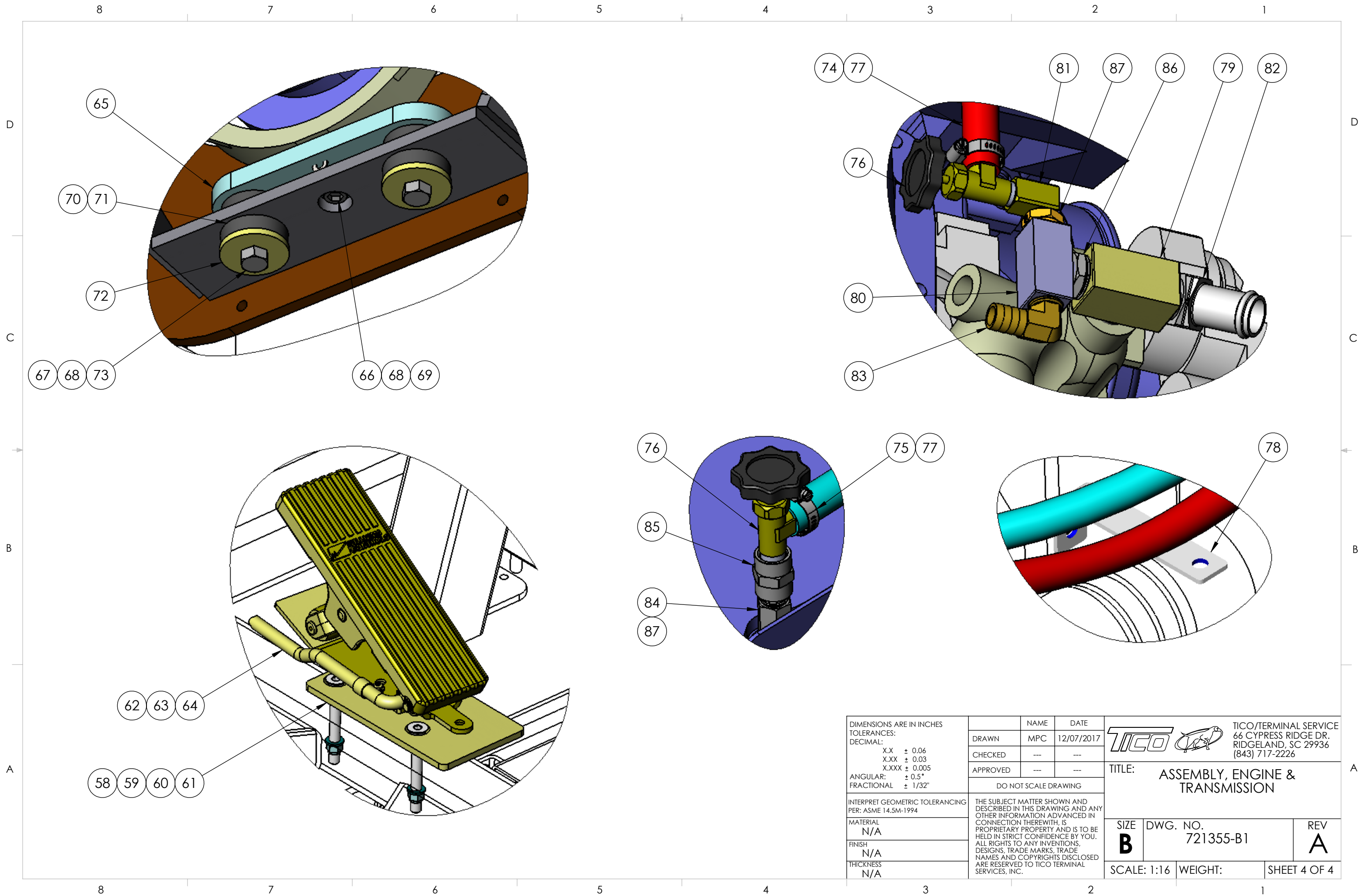


TICO/TERMINAL SERVICE  
66 CYPRESS RIDGE DR.  
RIDGELAND, SC 29936  
(843) 717-2226

TITLE: ASSEMBLY, ENGINE & TRANSMISSION

SIZE <b>B</b>	DWG. NO. 721355-B1	REV <b>A</b>
------------------	-----------------------	-----------------

SCALE: 1:16 WEIGHT: SHEET 3 OF 4



DIMENSIONS ARE IN INCHES		NAME	DATE
TOLERANCES:		DRAWN	MPC 12/07/2017
DECIMAL:		CHECKED	---
X.X ± 0.06		APPROVED	---
X.XX ± 0.03		DO NOT SCALE DRAWING	
X.XXX ± 0.005		THE SUBJECT MATTER SHOWN AND DESCRIBED IN THIS DRAWING AND ANY OTHER INFORMATION ADVANCED IN CONNECTION THEREWITH, IS PROPRIETARY PROPERTY AND IS TO BE HELD IN STRICT CONFIDENCE BY YOU. ALL RIGHTS TO ANY INVENTIONS, DESIGNS, TRADE MARKS, TRADE NAMES AND COPYRIGHTS DISCLOSED ARE RESERVED TO TICO TERMINAL SERVICES, INC.	
ANGULAR:			
± 0.5°			
FRACTIONAL ± 1/32"			
INTERPRET GEOMETRIC TOLERANCING PER: ASME 14.5M-1994		TITLE: ASSEMBLY, ENGINE & TRANSMISSION	
MATERIAL N/A		SIZE <b>B</b>	DWG. NO. 721355-B1
FINISH N/A		REV <b>A</b>	
THICKNESS N/A		SCALE: 1:16	WEIGHT: SHEET 4 OF 4


 TICO/TERMINAL SERVICE  
 66 CYPRESS RIDGE DR.  
 RIDGELAND, SC 29936  
 (843) 717-2226

TICO PRO-SPOTTER				
ENGINE & TRANS 2017 QSB-IV 158 HP @ 2100, (DR), RDS3000 1st-5th GEN V				721355
ITEM	PART #	QTY/M	DESCRIPTION	
1	620556	1	ENGINE-QSB6.7-IV-158HP@2100,12V,BLK HTR,DELCO START-ALT	
2	91069	1	SENDER-WATER TEMP. 1/2-14 NPT	
3	40467	1	FITTING, BRASS TEE	
4	60061	1	PRESSURE STAT 10 POUND	
5	91068	1	SENDER-OIL PRESSURE 1/8-27 NPT	
6	62115	1	ENGINE CRADLE ISB	
7	82519	2	BOLT, HEX HEAD, 3/4-16 X 4-1/4 LONG	
8	85095	4	WASHER, FLAT, 3/4	
9	85029	2	LOCKNUT, NYLON, 3/4-16	
10	61574	1	DIPSTICK,TRANSMISSION,SIDE CHECK ,3000/3500RDS	
11	62126	1	CLIP-DIPSTICK RETAINER	
NS	800458	1	M8-2.12 x 20MM HEX WASHER HEAD TAPPING SCREW	
12	82382	3	BOLT, HEX HD 5/16-18 x 1 1/4	
13	85112	8	WASHER, FLAT, 5/16", SAE, GRD 5, ZINC PLT	
14	85134	2	LOCKWASHER, HELICAL SPRING 5/16	
15	42197	2	P-CLAMP 3/4" ID, COATED	
16	12091	1	SPACER-DIPSTICK	
17	85029	1	LOCKNUT, NYLOCK, 3/4-10	
18	60981	1	MOUNT MOTOR BRACKET QSB-III L-H 2 DEG	
19	60982	1	MOTOR MOUNT BRACKET QSB3, RH 2DEG	
20	80240	12	BOLT, HEX HEAD, M12 x 15 x 35MM LG, GRD 10.9	
21	82574	2	BOLT, HEX HD 3/4-10 X 5 1/2" LG, GRD 8	
22	85095	2	WASHER, FLAT, 3/4", SAE, GRD 8, ZINC PLT	
23	60740	2	SPACER,REAR MOTOR MOUNT 1/4" THK,13/16IDX3.75OD	
24	61678	2	ISOLATOR REAR ENGINE	
25	61677-8	2	SPACER FOR REAR ENGINE ISOLATOR	
26	60740-1	2	SPACER,REAR MOTOR MOUNT 1/8" THK,13/16IDX3.75 OD	
27	85095	2	WASHER, FLAT, 3/4	
28	61572-5	1	MOUNT BRACKET-FRONT ENGINE FRAME	
29	61572-9	1	BRACKET FRONT ENGINE MOUNT	
30	82418	8	BOLT, HEX HD 1/2-13 x 2	
31	85093	16	WASHER, FLAT, 1/2", SAE, GRD 8, ZINC PLT	
32	85038	8	NUT, CROWN LOCK 1/2-13 UNC	
33	60799-17	1	TRANSMISSION-3000 RDS, TC-417	
34	60799-12	1	FLYWEEL HOUSING BOLT KIT	
35	60799-6	6	BOLT, M10 X 1.5, 30MM LONG, FLEXPLATE, 300RDS TRANS	
NS	62192	1	SHIFTER-PUSH BUTTON GEN-V	
<b>REV</b>	<b>DATE</b>	<b>BY</b>		<b>SHEET</b>
B	1/23/20	REB		1 OF 3

TICO PRO-SPOTTER				
ENGINE & TRANS 2017 QSB-IV 158 HP @ 2100, (DR), RDS3000 1st-5th GEN V				721355
ITEM	PART #	QTY/M	DESCRIPTION	
36	60953	1	PTO CHELSEA CONSTANT MESH WET SPLINE 3000RDS TRANS	
37	41037	1	HOSE - TRANS TO PTO	
38	90910	1	BRACKET, SUPPORT POS./NEG BATTERY CABLES	
39	62185	1	TCM-RDS3000, 1-5, QSB-III & QSBIV, 250K, 12/24 VOLT	
40	82359	3	BOLT, HEX HEAD, 1/4-20 X 3/4 LONG	
41	85089	6	WASHER, FLAT, 1/4	
42	85023	3	LOCKNUT, NYLON, 1/4-20	
43	41240	1	HOSE ASSY H239 #12 X 93 LG	
44	41026	1	HOSE 5/8" X 85",TRANS TO COOLER	
45	10624	2	FITTING, ELBOW 90 DEG, 3/4" MORB X 3/4" MJIC, VITON, STEEL	
46	40471	2	FITTING,ADAPTER, 3/4" SAE O-RING X 3/4" MALE JIC, STEEL, VITON O-RING	
47	60956	2	BRACKET, TRANSMISSION, COOLING LINE SUPPORT	
48	82382	3	BOLT, HEX HEAD, 5/16-18 X 1-1/4 LONG	
49	85013	2	JAM NUT, 5/16-18	
50	40593	4	P-CLAMP, 1"	
51	85090	2	WASHER, FLAT, 5/16", SAE, GRD 8, ZINC PLT	
52	85035	2	LOCKNUT, CROWNLOCK, COARSE, 5/16-18	
53	620505	1	PUMP-STEERING, TRW, 4 GPM, 2150 PSI,CCW	
54	60212	1	GASKET, HYDRAULIC PUMP	
55	80175	2	SCREW, HEX HD, M10 X 1.50 X 30MM LG, GRD 10.9, BLACK OXIDE	
56	60878	1	ELBOW, 45 Deg 3/4 O-RING to 3/4 JICM	
57	40460	1	ELBOW, 90 Deg 1/2 ORB to 1/2 JIC	
58	90632	1	MTG PLATE, ELE THROTTLE	
59	83318	1	SCREW, FLAT CS CAP 3/8-16 x 3 1/2	
60	85113	2	WASHER, FLAT, 3/8", SAE, GRD 5, ZINC PLT	
61	85036	2	LOCK NUT, CROWNLOCK COARSE 3/8-16	
62	61640	1	PEDAL ACCELERATOR ISB 2013	
63	85090	2	WASHER, FLAT, 5/16", SAE, GRD 8, ZINC PLT	
64	85035	2	LOCKNUT, CROWNLOCK, COARSE, 5/16-18	
NS	910393	1	CAP-ENGINE BLOCK HEATER	
NS	12067	1	BRACKET-STAND OFF	
NS	41273	2	P-CLAMP - 1/2" ID, COATED	
REV	DATE	BY		SHEET
B	1/23/20	REB		2 OF 3

TICO PRO-SPOTTER				
ENGINE & TRANS 2017 QSB-IV 158 HP @ 2100, (DR), RDS3000 1st-5th GEN V				721355
ITEM	PART #	QTY/M	DESCRIPTION	
65	60809	1	PLATE MTG FRONT ENGINE DUAL SYSTEM	
66	80342	1	SCREW, SOC HD, M16 x 2.0 x 45MM LG, W/ 1/8" HOLE	
67	82474	2	BOLT 5/8-11X3-1/4" HHCS	
68	85094	2	WASHER, FLAT, 5/8", SAE, GRD 8, ZINC PLT	
69	85138	1	LOCKWASHER, HELICAL SPRING 5/8	
70	60814	4	ISOLATOR,ENGINE FRONT DUAL	
71	10971	2	SPACER FRONT MOTOR MOUNT QSB-III/ISB-O7	
72	60113	2	WASHER 3X5/8	
73	85039	2	LOCK NUT, CROWNLOCK COARSE 5/8-11	
74	90804-1	2	HOSE, HEATER, 5/8 ID X 84 LONG	
75	90804-2	1	HOSE, HEATER, 5/8 ID X 96 LONG	
76	60031	2	VALVE, HEATER SHUT OFF	
77	42149	6	CLAMP, WORMGEAR, LINER, 5/8" HOSE	
78	620477	1	L-BRACKET, 1 X 1-3/4 X 5	
79	42050	1	FITTING-TEE,BRANCH, 3/4 NPT, BRASS	
80	42049	1	FITTING-TEE, BRANCH, 1/2" NPT, BRASS	
81	40844	1	FITTING-ELBOW,STREET, 90 DEG, 3/8 NPT, BRASS	
82	42055	1	FITTING-ELBOW, 1 HOSE BARB X 3/4 NPTM, 45 DEG, STEEL	
83	42178	1	HOSE BARB-BRASS-90 DEGREE 5/8 HOSE TO 1/2 PIPE	
84	42047	1	FITTING-STR ADAPTER, 3/8" NPTM X 5/8" HOSE BARB, STEEL	
85	40752	1	FITTING-REDUCER, 3/4" NPTM X 1/2" NPTF, BRASS	
86	42053	1	FITTING-REDUCER, 3/4" NPTM X 3/8" NPTF, BRASS	
87	40752	1	FITTING-REDUCER, 3/4" NPTM X 1/2" NPTF, BRASS	
NS	62405	1	HARNESS ENGINE TIER IV FINAL, BRAIDED	
NS	62375	1	HARNESS TRANS ALLISON GEN-V AUTO NEUTRAL W/PARKING BRAKE	
NS	91232	1	WIRE ASSY, 6GA, BLACK, 5/16-3/8 LUGS, ECM GRD/BATT 121" OAL	
NS	91171	1	WIRE ASSY-AIR INTAKE HEATER ISB-10	
NS	62377	1	HARNESS AUTO NEUTRAL W/PARKING BRAKE	
NS	61704	1	BRACKET-STAND-OFF	
NS	91222	1	CABLE 2 GA BLACK ALT TO STARTER 33"	
NS	90798	1	WIRE HARNESS 2-GA-RED	
NS	90078	1	SWITCH, STOP LIGHT, SINGLE POLE, N.O., 3-5 PSI ACT, (2) 10-32 TERM, 1/4-18 NPTM	
NS	420301	1	FITTING-TEE, BRANCH, 3/8" TUBE X 1/4" NPTF, BRASS	
NS	83340	1	SCREW, FLAT CS CAP GRD 8 COARSE 3/8-16 x 4 LG	
NS	40513	2	1/4X1/4 CRIMP FITTING(STRAIGHT)	
NS	85094	1	WASHER, FLAT, 5/8", SAE, GRD 8, ZINC PLT	
NS	80349	1	STUD 5/16"-18 X 1 LG	
NS	12091	1	SPACER-DIPSTICK	
REV	DATE	BY		SHEET
B	1/23/20	REB		3 OF 3