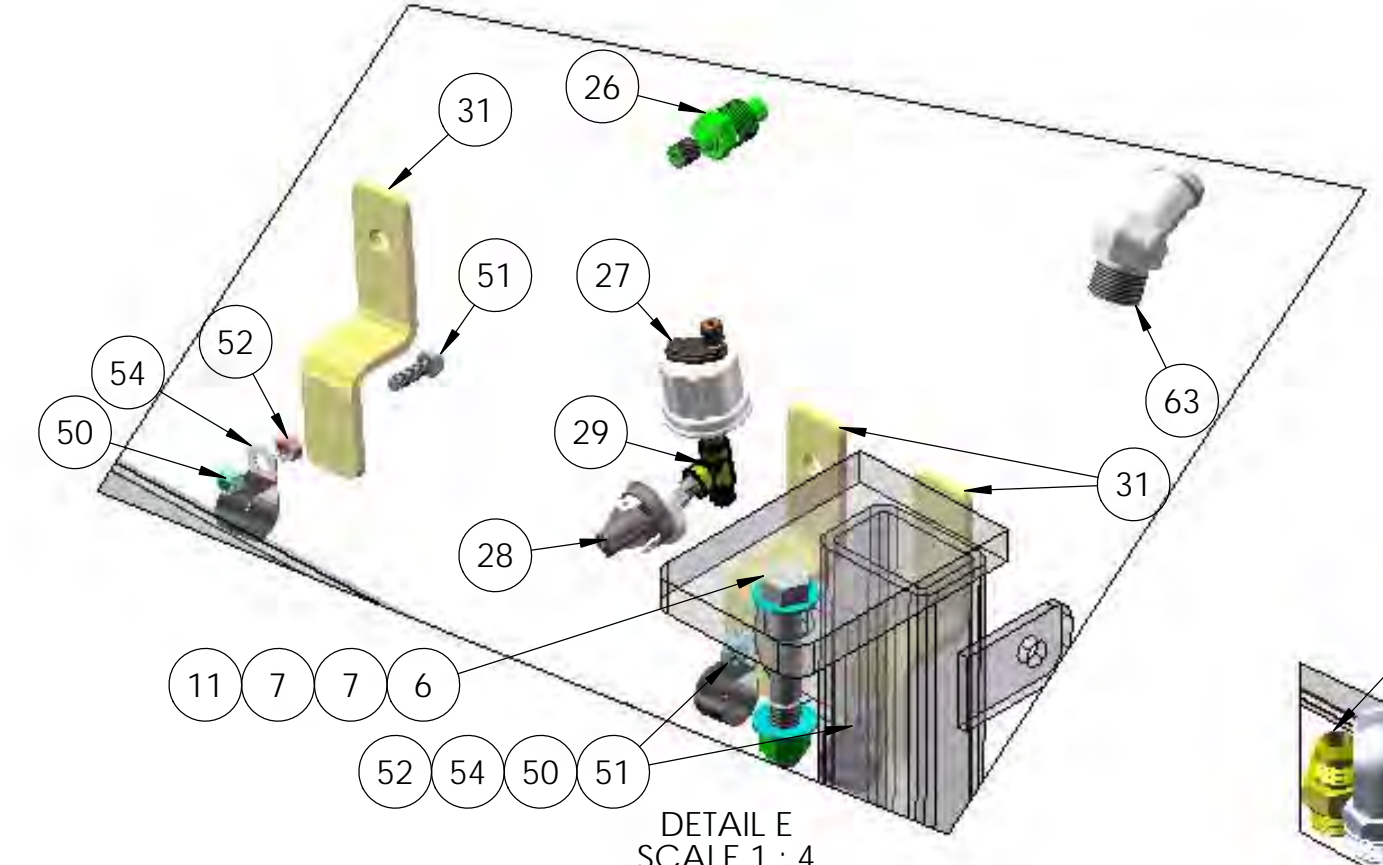
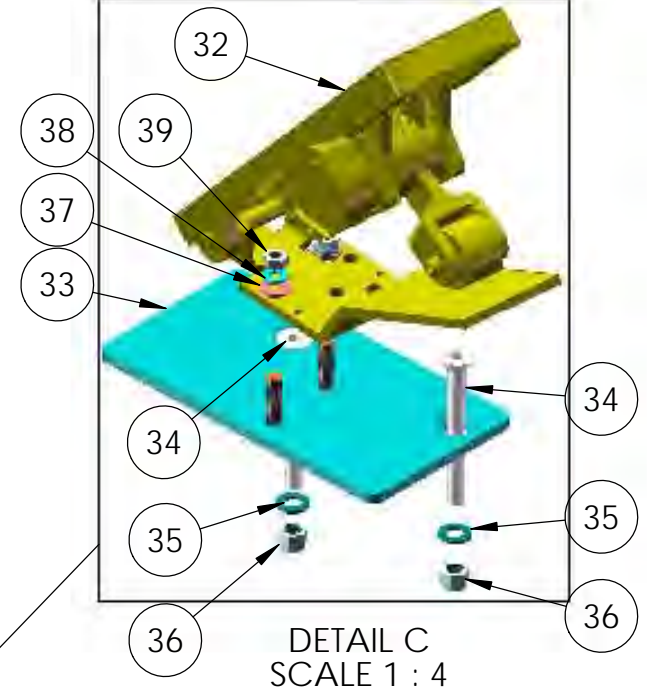


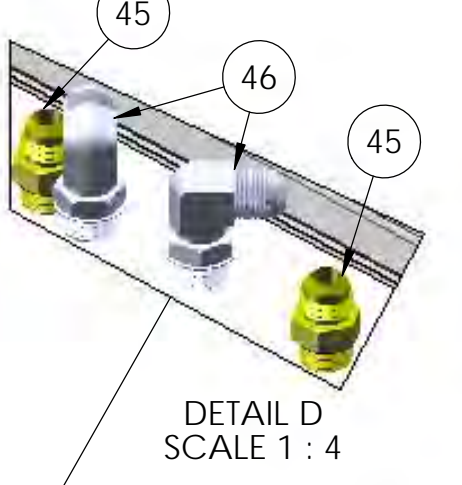
DETAIL F  
SCALE 1 : 4



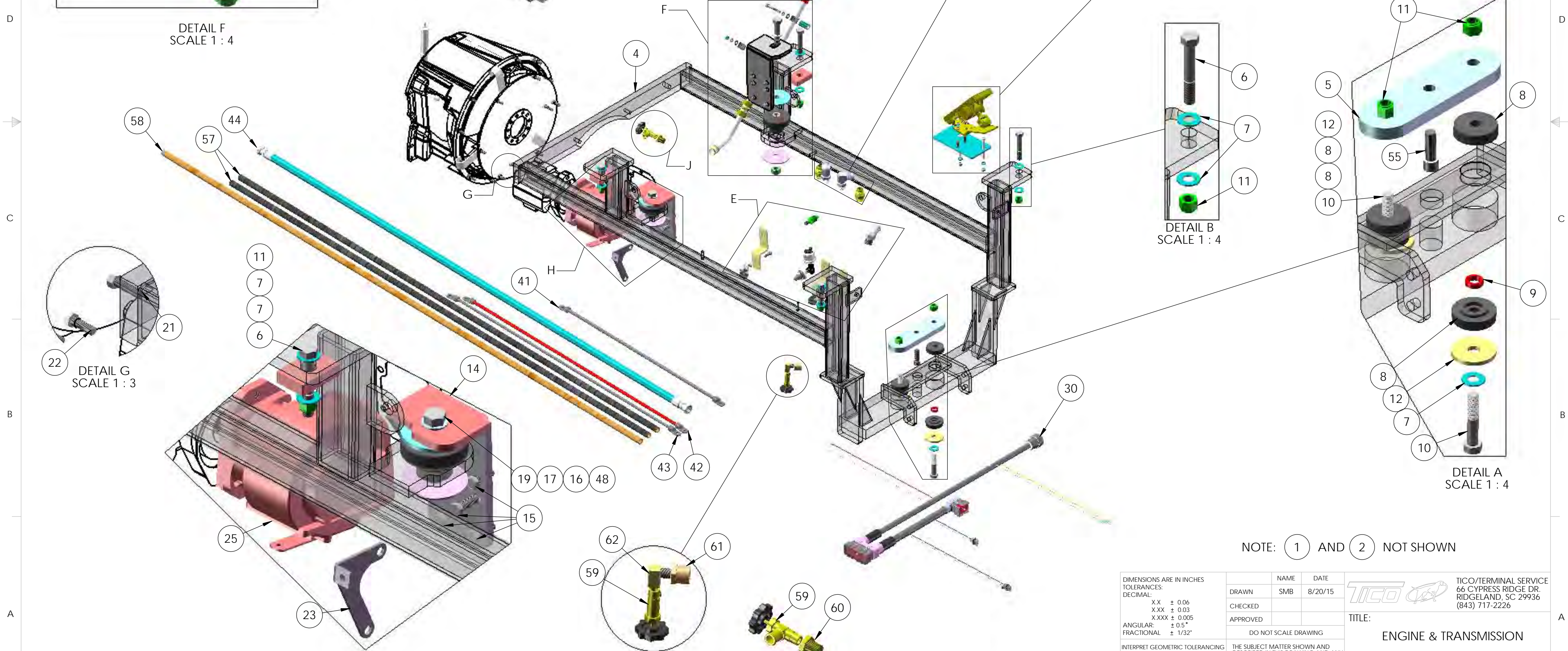
DETAIL E  
SCALE 1 : 4



DETAIL C  
SCALE 1 : 4



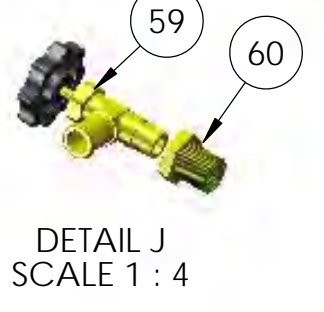
DETAIL D  
SCALE 1 : 4



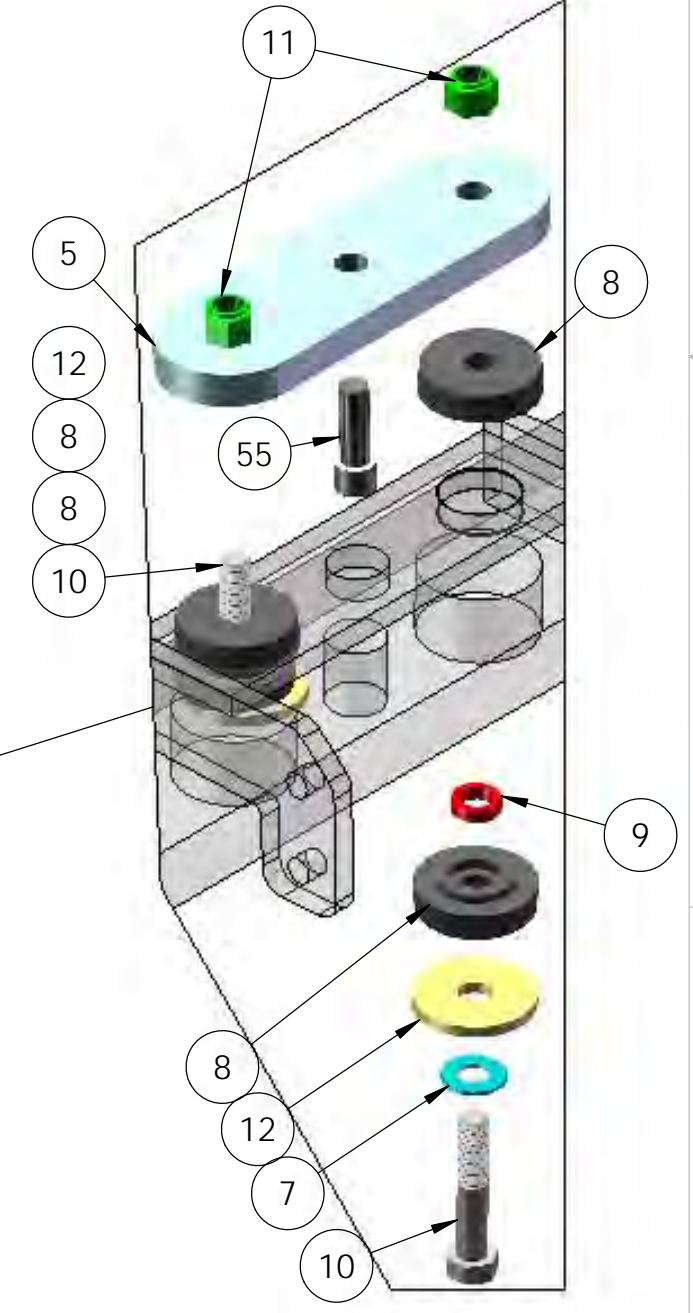
DETAIL H  
SCALE 1 : 4



DETAIL I  
SCALE 1 : 4



DETAIL J  
SCALE 1 : 4



DETAIL A  
SCALE 1 : 4

NOTE: ① AND ② NOT SHOWN

DIMENSIONS ARE IN INCHES		NAME	DATE	TICO/TERMINAL SERVICE 66 CYPRESS RIDGE DR. RIDGELAND, SC 29936 (843) 717-2226
TOLERANCES:		DRAWN	SMB 8/20/15	
DECIMAL:		CHECKED		
.XX ± 0.06 .XXX ± 0.03 .XXXX ± 0.005		APPROVED		
ANGULAR:		DO NOT SCALE DRAWING		TITLE:
FRACTIONAL				ENGINE & TRANSMISSION
± 0.5°				SIZE DWG. NO.
± 1/32"				C 72171-F1
INTERPRET GEOMETRIC TOLERANCING PER: ASME 14.5M-1994				REV
MATERIAL				E1
FINISH				SCALE: 1:16
THICKNESS				SHEET 1 OF 1

TICO PRO-SPOTTER				
ENGINE & TRANS				721349
ITEM	PART #	QTY/M	DESCRIPTION	
1	62195	1	ENGINE, QSB 6.7-215 HP @ 2100 RPM, 12V, HI-MTG COMP, AC	
2	60984	1	TRANS., ALLISON 3500 SERIES, TC-417	
3	62184	1	TCM-GEN V, RDS3500, 2nd-5th, QSB	
3	62192	1	SHIFTER-TRANSMISSION-GEN V, PUSH BUTTON	
4	62210	1	ENGINE CRADLE QSB3	
5	60809	1	MOUNTING PL-FRT ENG	
6	80341	1	BOLT-M16 X 2 X 45mm, 12 PT HD, 10.9	
7	85094	2	WASHER-5/8	
8	60814	4	ISOLATOR FRT ENG MOUNT	
9	10971	2	SPACER-FRT ENG MOUNT	
10	82474	2	BOLT-5/8-11UNC x 3 1/4 LG	
11	85028	2	NUT-5/8-11UNC CRLK	
12	60113	2	WASHER-5/8	
13	60981	1	MOUNT-REAR ENGINE LH	
14	60982	1	MOUNT-REAR ENGINE RH	
15	80240	12	BOLT-M12 x 1.5 x 35mm, HEX HD , 10.9	
16	60136	2	ISOLATOR-REAR ENGINE	
17	60740	2	WASHER-3/4 REAR ENGINE MOUNT	
18	85095	2	WASHER-3/4	
19	82530	2	BOLT-3/4-10UNC x 4 1/2 LG HEX HD	
20	85029	2	NUT-3/4-10UNC NYLK	
	60799-12	1	TRANS MOUNTING KIT	
21	60799-7	12	BOLT - TRANS MOUNTING	
NS	60799-20	12	WASHER - TRANS MOUNTING	
22	60799-6	6	BOLT, HEX, 10MM X 1.5 X 30MM LG	
23	62101	1	BRACKET - ANGLE FOR HOSE	
24	61574	1	TRANS-DIPSTICK	
25	60953	1	PTO, CONSTANT MESH, RDS3000	
26	91069	1	SENSOR-WATER TEMP GAUGE	
27	91068	1	SENSOR-OIL PRESS GAUGE	
28	60061	1	PRESSURE STAT 10 PSI	
29	40467	1	FITTING, TEE STREET, 1/8 NPT	
NS	60023	REF	GOVERNOR-AIR D-2	
<b>REV</b>	<b>DATE</b>	<b>BY</b>		<b>SHEET</b>
A	6/22/2020	BRN		1 OF 1

**TICO PRO-SPOTTER**

**ENGINE & TRANS**

**721349**

ITEM	PART #	QTY/M	DESCRIPTION	
NS	61680	1	HARNESS-ENGINE, CRADLE	
30	62375	1	HARNESS - TRANS ALLISON GEN V - W/ABS, AUTO-NUETRAL W/PARKING BRAKE	
NS	40877	1	FITTING, HOSE BARB - 90°, # 16 HOSE X 3/4 NPT	
31	60956	3	BRACKET-TRANS HOSE	
32	60747	1	PEDAL ACCELERATOR - ELECTRONIC QSB	
33	90632	1	MOUNTING PLATE ELECTRIC THROTTLE	
34	83318	2	SC HC SCREW 3/8-16 x 3 1/2" Lg	
35	85113	4	WASHER, FLAT 3/8	
36	85036	2	LOCKNUT, 3/8-16	
37	85111	2	WASHER, FLAT 1/4	
38	85133	2	LOCKWASHER, 1/4	
39	85012	2	NUT, HEX 1/4-20	
40	12091	1	SPACER - DIPSTICK CLIP	
41	91134	1	WIRE-6GA, GND 31 3/4", ENG/FRAME	
42	90798	1	CABLE - POS 2GA RED X 42" 5/16-3/8 ENDS	
43	91133	1	CABLE - GROUND ALTERNATOR TO STARTER	
44	41026	1	HOSE, HYD TRANS to COOLER	
45	40471	2	FITTING, ADAPTER STR, # 12 JIC X 3/4 NPT	
46	10624	2	FITTING, ADAPTER 90°, 3/4 O-RING X # 12 JIC	
46	40460	1	FITTING, ELBOW 90°, ADAPTER, 1/2 O-RING X #08 JIC	
47	42070	2	SPACER- ENG CRADLE	
48	60740-1	2	WASHER, 3/4" REAR ENGINE MT	
49	85095	4	WASHER-3/4	
50	85029	4	NUT-3/4-10NC NYLOCK	
51	82370	1	BOLT, HEX HD 1/4-20 X 1" LG	
52	85023	1	NUT, HEX NYLOCK 1/4 -20	
53	85111	2	WASHER, FLAT 1/4	
54	40593	1	CLAMP, P 1" ID	
55	82519	2	BOLT-3/4-16NC X 4 1/4LG	
56	82508	2	BOLT-3/4-16NC X 4 LG	
REV	DATE	BY		SHEET
A	6/22/2020	BRN		2 OF

