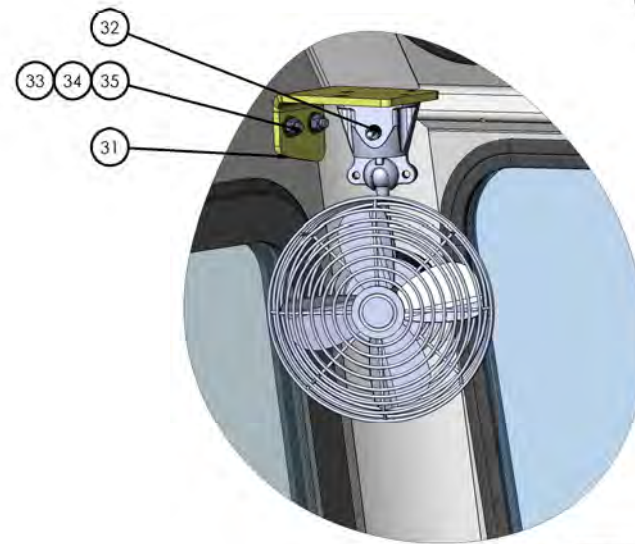
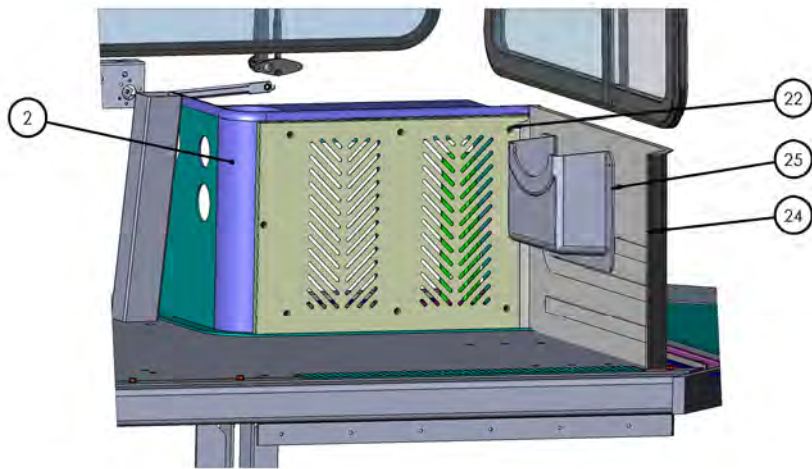
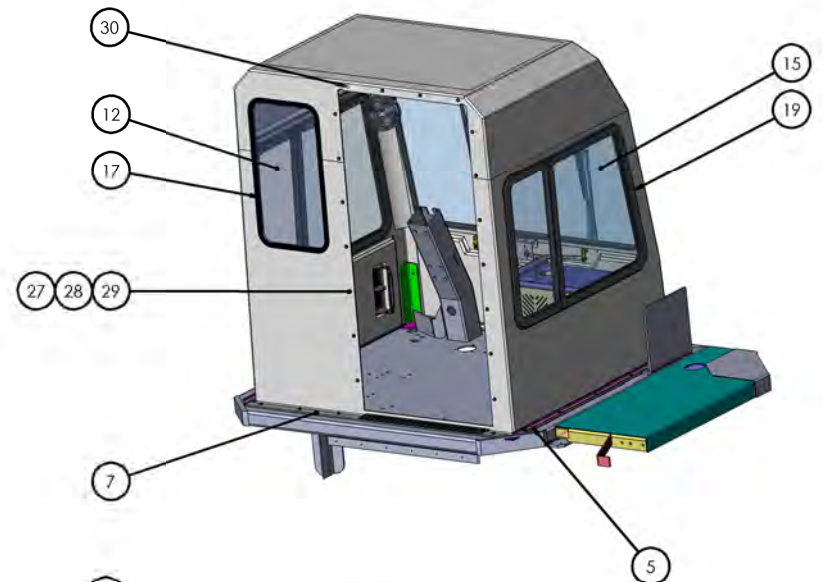
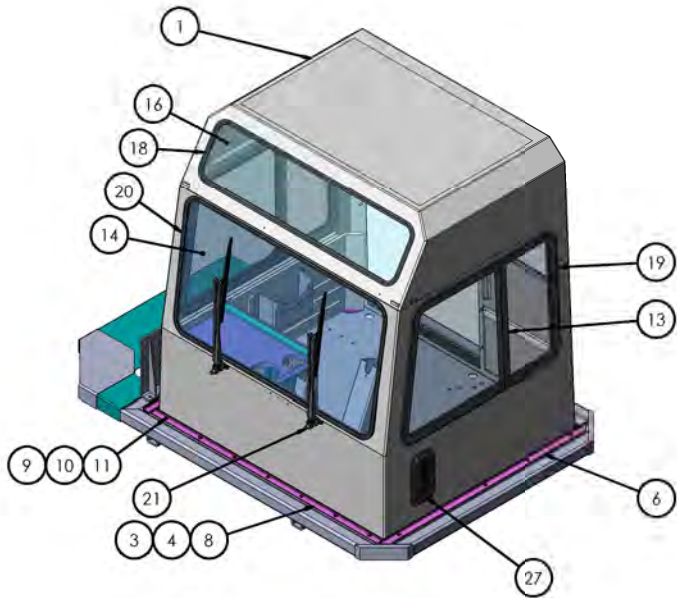




CAB ASSEMBLY
 PAGE 1 OVER VIEW
 PAGE 2 LH FRONT
 RH REAR
 HEATER BOX
 FAN
 PAGE 3-4 PARTLISTS

		TITLE: CAB, RAISED ROOF, 65" DOOR	
SCALE: 1:30 WEIGHT: 45734#		REV: 001	
SHEET: 1 OF 2		MANUFACTURED BY: TICO MANUFACTURING 4400 CYPRESS FORDS DR. ROCK HAVEN, NC 27686 (843) 717-2226	

D 721348-81



DESIGNED BY: [] DRAWN BY: [] CHECKED BY: [] APPROVED BY: [] DATE: [] TITLE: [] SHEET: [] OF []	SCALE: 1:30 WEIGHT: 1752.13 SHEET 2 OF 2	TITLE: CAB, RAISED ROOF, 65" DOOR DWG. NO.: 721348-81 REV: D	PROFESSIONAL SERVICE AN OFFICE OF THE REGISTERED PROFESSIONAL ENGINEER NO. 117,222
--	---	--	---

D 721348-81

TICO PRO-SPOTTER			
CAB ASSY 65" DOOR, 98" MIRRORS			721348
ITEM	PART #	QTY/M	DESCRIPTION
	721348-B1	REF	CAB ASSY 65" DOOR, 98" MIRRORS
1	920006	1	CAB ASSY - RAISED ROOF, 65" DOOR, 2015, 98" MIRROR
2	90817-3	1	DOG BOX ACC HEATER/AC
NOT SHOWN	91903	8	NUT, 10-32 TINNEMAN
3	90007-1	1	RUBBER STRIP-CAB SEAL 1 1/2"
4	90193-1	1	CHANNEL CAB HOLD DOWN FRONT
5	91842	1	CHANNEL, CAB HOLD DOWN RIGHT SIDE
6	90193-3	1	CHANNEL CAB HOLD DOWN LEFT
7	91899	1	WELDMENT, ISB 2015 NON SLIP REAR CAB HOLD DOWN
8	90007-3	1	RUBBER STRIP-CAB SEAL 1 1/4"
9	82382	21	BOLT-5/16 NC X 1 1/4 LG
10	85090	42	WASHER, FLAT 5/16 PLATED
11	85024	21	NUT, 5/16-18 HEX NYLOCK PLATED
12	90425	1	WINDOW-REAR
13	920290	1	WINDOW ASSY-LH SIDE, SLIDER, 50/50, DOT W/NON-GLARE GLASS, BLUE/GREEN TINT
14	90420	1	WINDOW-WINDSHIELD
15	91931	1	WINDOW ASSY-RH SIDE, SLIDER, 60/40
16	90421	1	WINDOW-UPPER FRONT
17	90521-1	1	WEATHERSTRIP-BACK WINDOW (88")
18	90521-2	1	WEATHERSTRIP-TOP FRNT WINDOW (130")
19	90521-4	2	WEATHERSTRIP-SIDE BOT WINDOW (2@142"EA)
20	90521-5	1	WEATHERSTRIP-WINDSHIELD (164")
NOT SHOWN	90522	70 FT	LOCK STRIP-WINDOW RUBBER
21	90438	1	WIPER KIT CAB-20"
22	91902	1	COVER, ACC HEATER BOX
23	90775	1	SIDE WALL PANEL
24	90778	1	REMOVEABLE DOCUMENT HOLDER
NOT SHOWN	90773-1	1	DASH HEATER BOX COVER COMPOSITE
25	90180	1	VENT-SIDE DOOR
26	91699	1	DOOR ASSY-65" SWING, BODE
27	82382	16	BOLT - 5/16 NC X 1 1/4 LG
28	85090	20	WASHER, FLAT 5/16
29	85035	20	NUT, 5/16 X 18 NC HEX
30	82371	4	BOLT - 5/16 NC X 1 LG
NOT SHOWN	91155	24 FT	SEAL - CLOSED CELL FOAM-DOOR
NOT SHOWN	91155	2 FT	SEAL - CLOSED CELL FOAM-DOOR
REV	DATE	BY	SHEET
B	12/6/2018	MAL	1 OF 2

