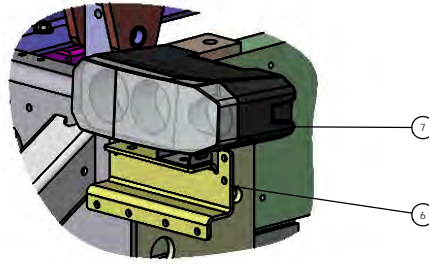
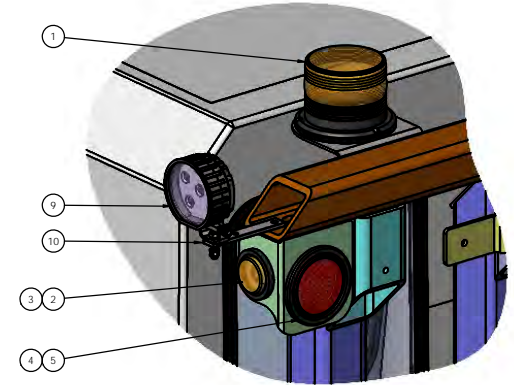


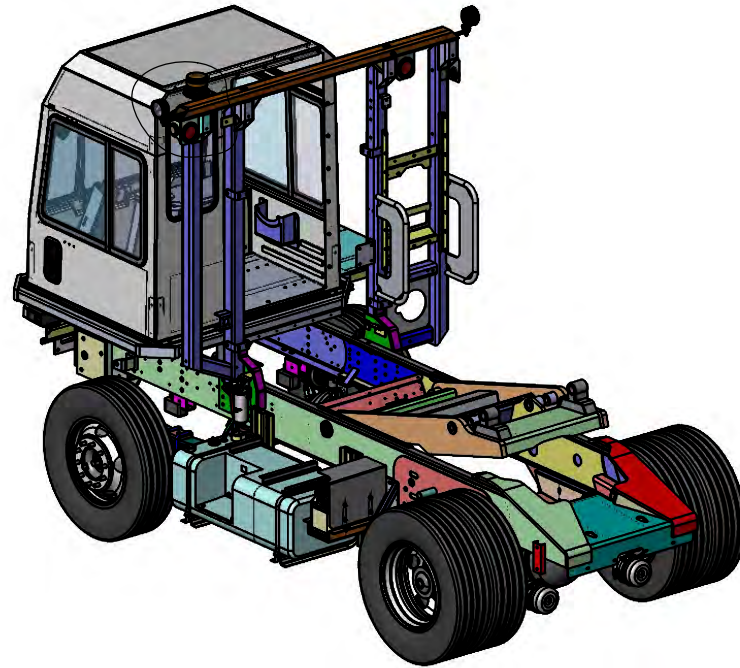
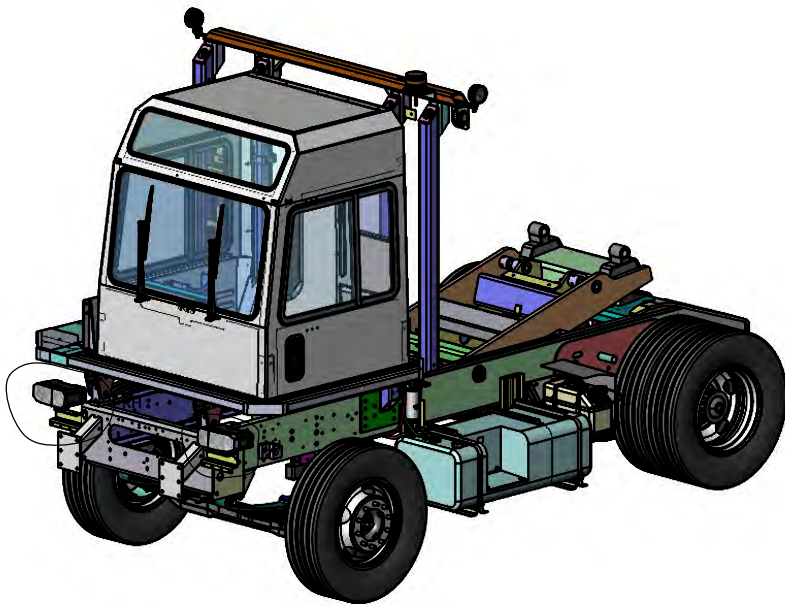
RH HEADLIGHT ASSEMBLY



LH HEADLIGHT ASSEMBLY



CAB BAR LIGHTING LAYOUT



DIMENSIONS ARE IN INCHES TOLERANCES: DECIMALS: .005 FRACTIONS: 1/32 ANGULAR: ±0.1° HORIZONTAL GEOMETRIC TOLERANCING PER ASME Y14.5-2014 UNLESS OTHERWISE SPECIFIED IN THIS DRAWING, THE SURFACE FINISH SHALL BE AS SHOWN IN THE DRAWING AND ANY OTHER FINISHES SHALL BE SPECIFIED BY THE CUSTOMER. ALL RIGHTS TO ANY PATENTED OR UNPATENTED INVENTIONS ARE RESERVED TO TICO MANUFACTURING, INC.	NAME: MAL DATE: 11/15/2019 DRAWN: MAL CHECKED: MAL APPROVED: MAL DOTTED SCALE DRAWING	TICO MANUFACTURING 66 CYPRUS ROAD DR. RIDGELAND, MS 39151 TICO@TRACTORS.COM
SEE NOTE N/A	TITLE: LIGHT & MOUNTING SIZE: D DWG. NO.: 721342-C1 SCALE: 1:32 WEIGHT: 457330	REV: 1 SHEET OF 1

721342-C1

TICO PRO-SPOTTER			
LIGHTS & MOUNTING, 12V, 2016, 65-72" CAB, 2			721342
ITEM	PART #	QTY/M	DESCRIPTION
1	91319	1	STROBE LIGHT ASS'Y, LED, TRUCKLITE
NS	80209	3	LOCKNUT, #10-32
NS	80196	3	SCREW, P H 10-32 x 1" LG
2	91561	2	LIGHT-SIDE MARKER 2-1/2" DIA - AMBER LED
3	40157-4	2	GROMMET-LIGHT 2-1/2" DIA
4	91773	2	LIGHT-STOP/TAIL/TURN- RED LED, SEALED 4"
5	91774	2	GROMMET-LED 4" D1A
NS	91215	1	DOME LIGHT-LED
NS	80196	3	SCREW, P H 10-32 x 1" LG
6	121800	2	BRACKET - HEADLIGHT, FORMED
NS	82394	4	BOLT, HEX 3/8-16 x 1 1/2" LG
NS	85113	8	WASHER, FLAT 3/8
NS	85025	4	LOCKNUT - NYLOCK, 3/8-16
7	920436	1	HEAD LAMP ASSY-LH, HAMSAR, LED TURN SIGNAL
8	920435	1	HEAD LAMP ASSY-RH, HAMSAR, LED TURN SIGNAL
NS	920018-1	REF	BULB, HIGH/LOW BEAM HEADLIGHT
NS	920028	REF	BULB, LED AMBER, 360° CONFIGURATION, HAMSAR
NS	85104	2	WASHER, 1/2 THRU HARDENED
NS	85027	2	NUT, NYLOCK, 1/2-13, GRD 8
9	91216	2	LIGHT, WORK 12V LED FLOOD
10	50185	2	BAR-LIGHT EXTENSION
NS	82383	2	BOLT, HEX 3/8-16 x 1 1/4" LG
NS	85113	4	WASHER, FLAT 3/8
NS	85025	2	LOCKNUT, 3/8-16 NYLOCK
NS	91685	1	FLASHER, LED SOLID STATE
NS	620544-1	REF	HARNES - CAB BAR 65-72" DOOR, SEPARATE WORK LIGHTS, ISB 16
REV	DATE	BY	SHEET
B	11/15/2019	MAL	1 OF 1