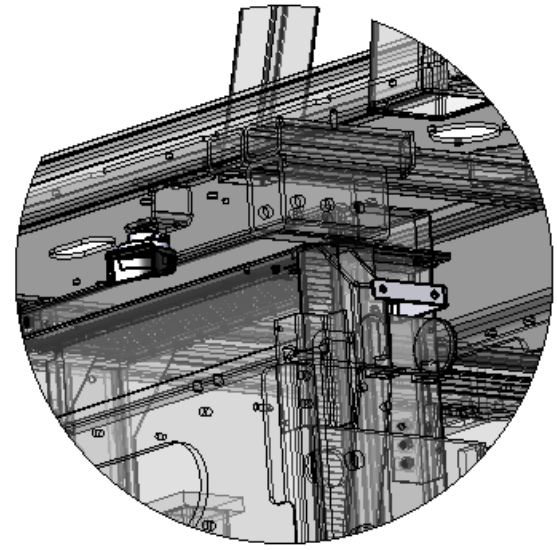
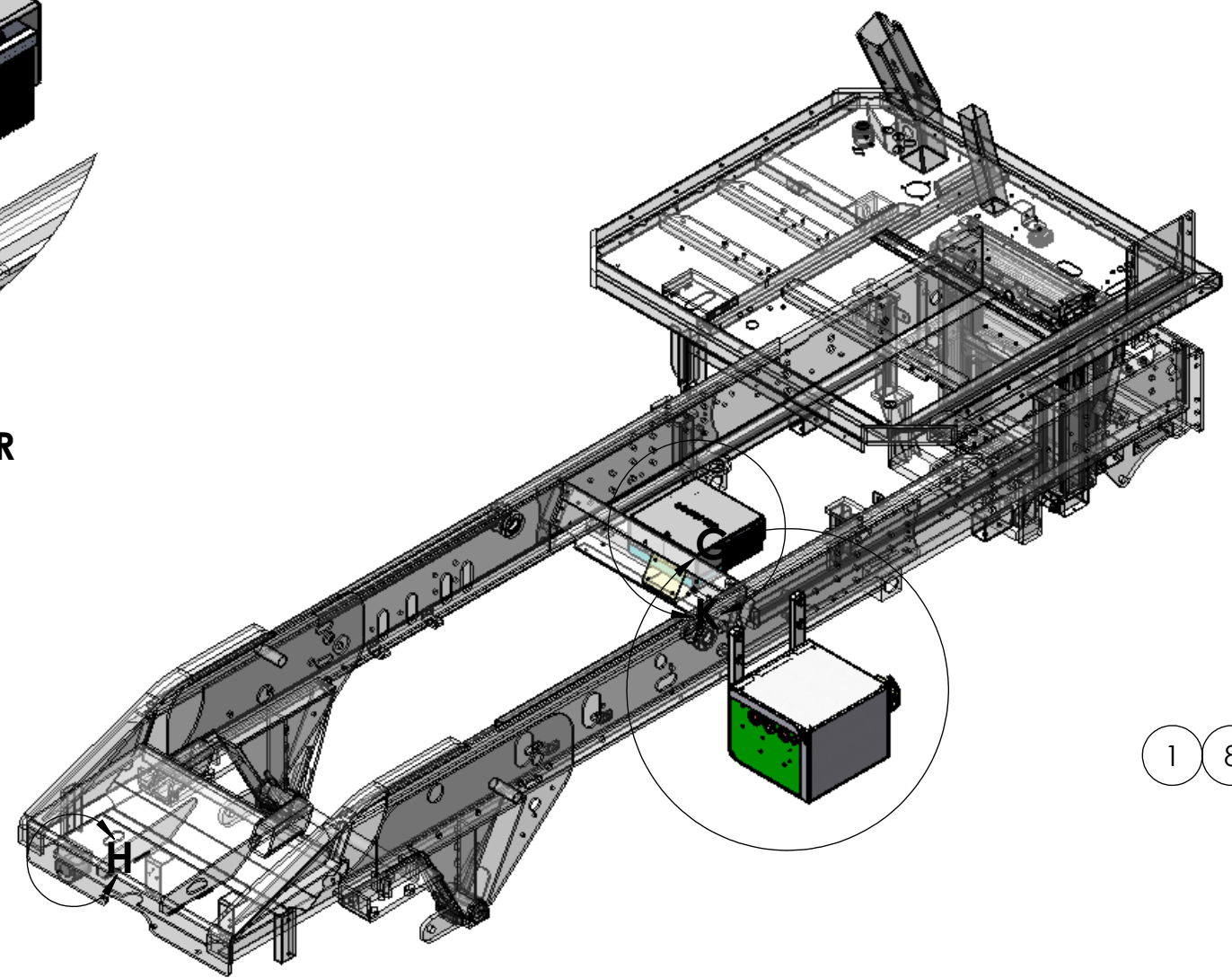


**CHASSIS PDC & COVER
PAGE 3**

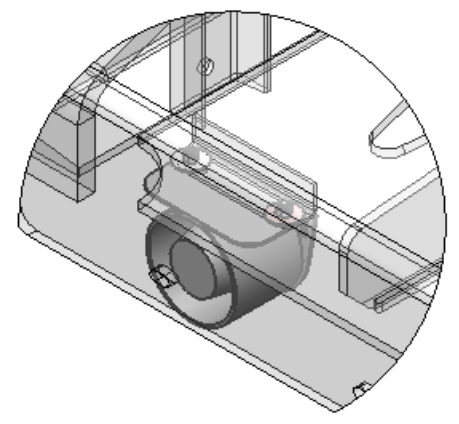


**HORN & WIRING BRACKET
PAGE 3**




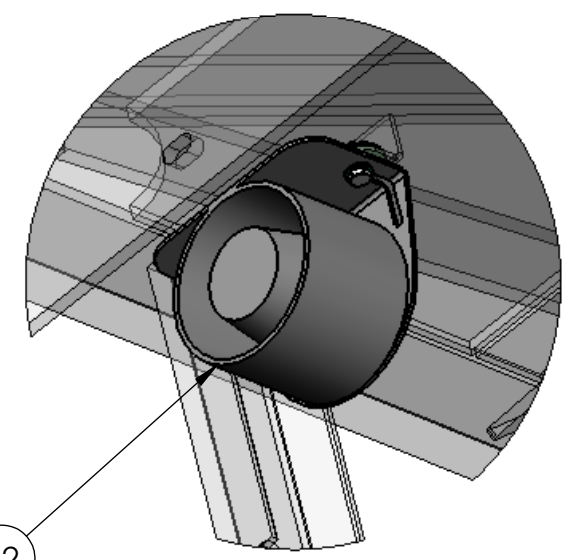
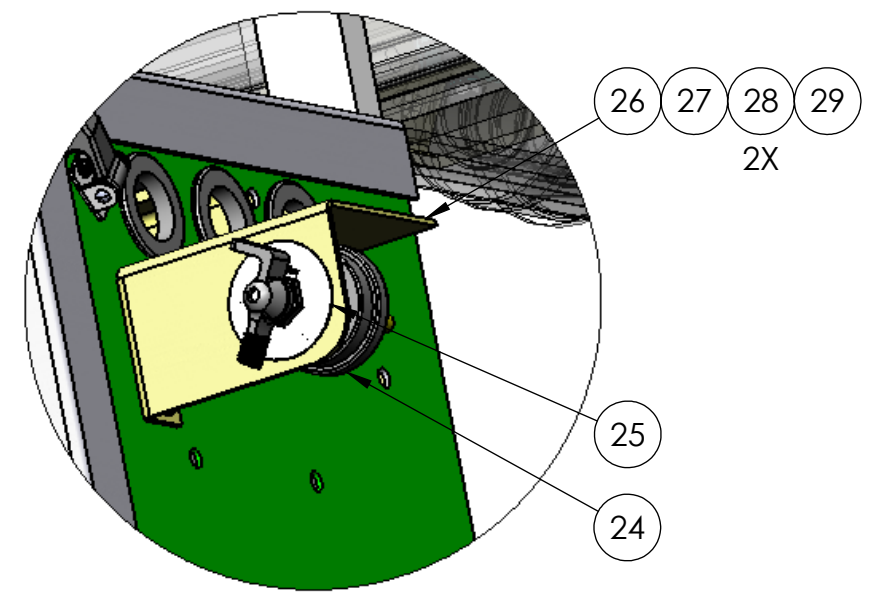
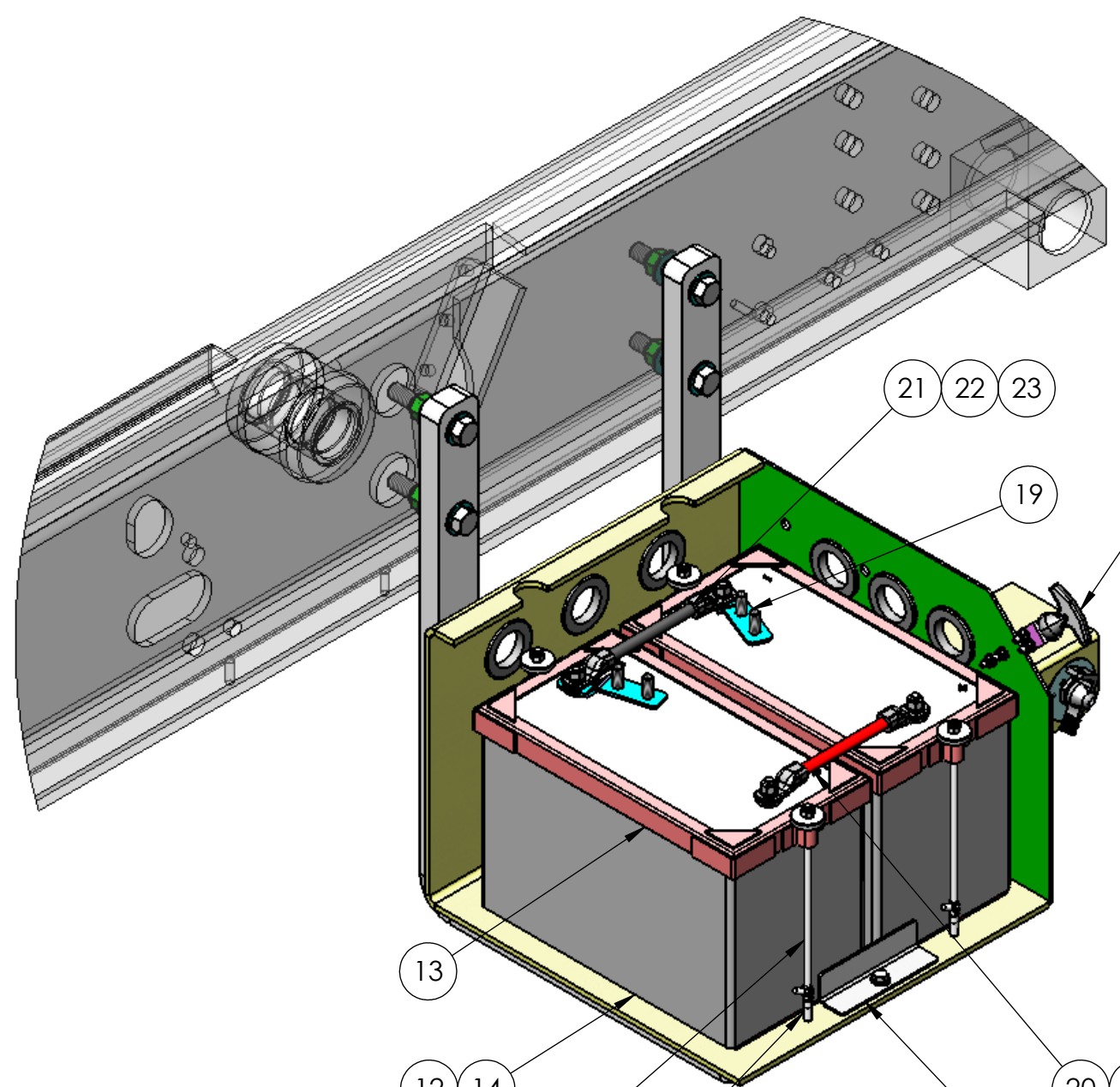
1 8 9 10 11 2
2X

**BATTERY BOX & DISCONNECT SWITCH
PAGE 2**



**BACKUP ALARM
PAGE 2**

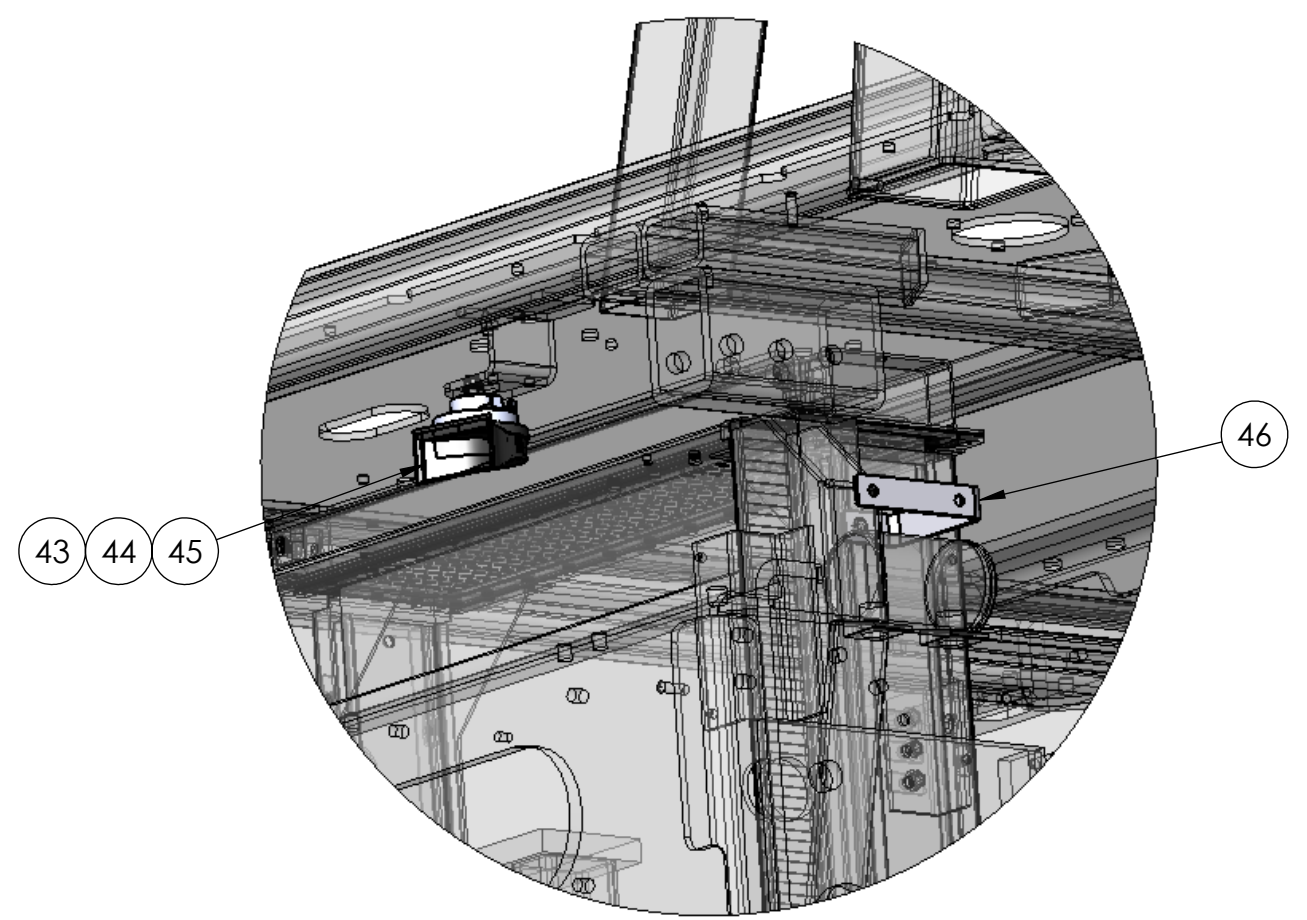
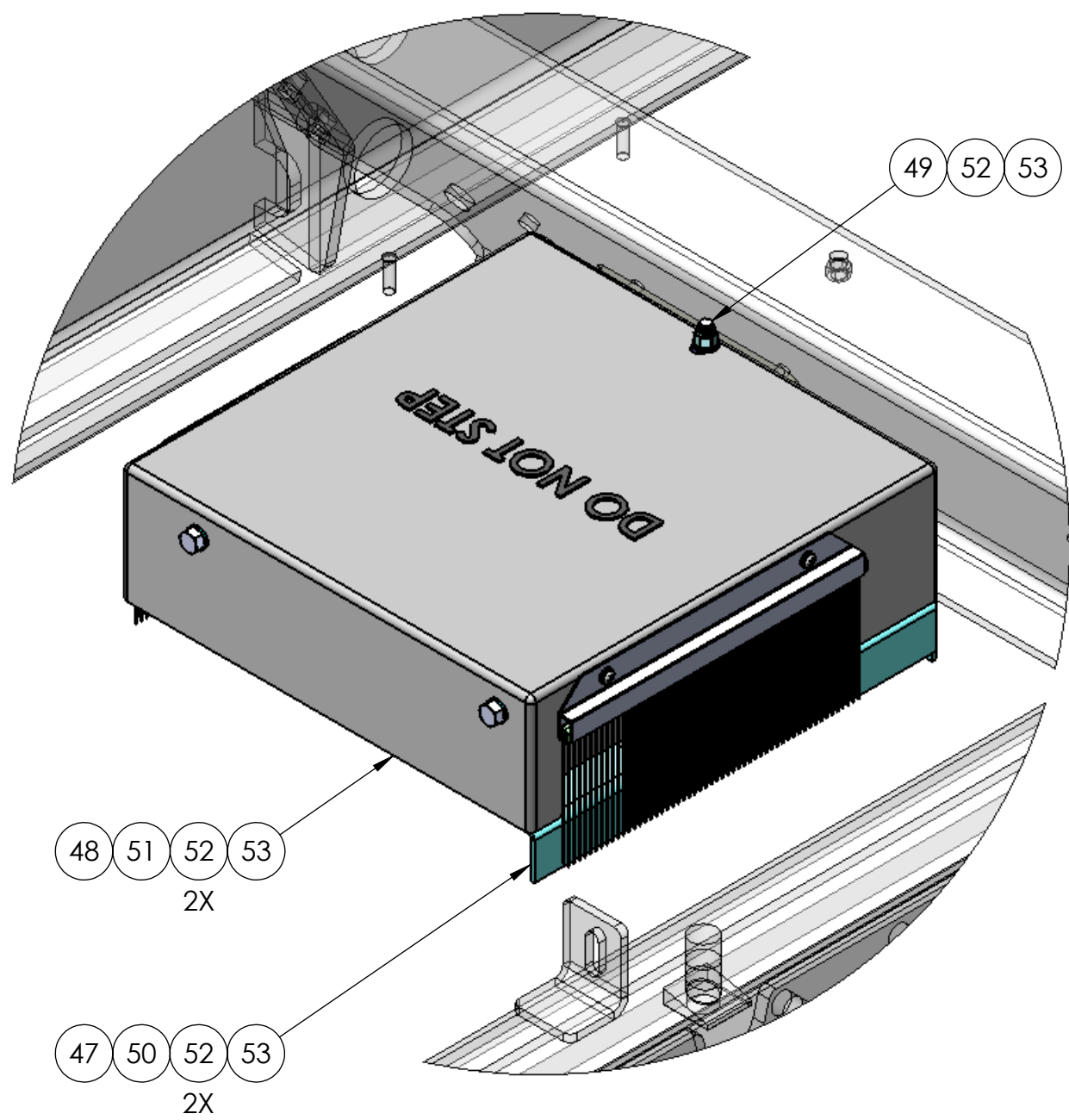
DIMENSIONS ARE IN INCHES		NAME	DATE	 TICO/TERMINAL SERVICE 66 CYPRESS RIDGE DR. RIDGELAND, SC 29936 (843) 717-2226	
TOLERANCES:		DRAWN	MPC		3/22/2017
DECIMAL:		CHECKED			
X.X ± 0.06 X.XX ± 0.03 X.XXX ± 0.005		APPROVED			
ANGULAR: ± 0.5°		DO NOT SCALE DRAWING			
FRACTIONAL: ± 1/32"		THE SUBJECT MATTER SHOWN AND DESCRIBED IN THIS DRAWING AND ANY OTHER INFORMATION ADVANCED IN CONNECTION THEREWITH, IS PROPRIETARY PROPERTY AND IS TO BE HELD IN STRICT CONFIDENCE BY YOU. ALL RIGHTS TO ANY INVENTIONS, DESIGNS, TRADE MARKS, TRADE NAMES AND COPYRIGHTS DISCLOSED ARE RESERVED TO TICO TERMINAL SERVICES, INC.			
INTERPRET GEOMETRIC TOLERANCING PER: ASME 14.5M-1994		TITLE:		ASSEMBLY, BATTERY & WIRING	
MATERIAL		SIZE	DWG. NO.	REV	
FINISH		B	721344-B1		
THICKNESS		SCALE: 1:48	WEIGHT:	SHEET 1 OF 3	




- 12 14
- 13
- 15 16 17 18
- 19
- 20 22 23
- 21 22 23
- 24
- 25
- 26 27 28 29
- 2X
- 30 31 32 33
- 34 35 36 37

- 38 39 40 41 42

DIMENSIONS ARE IN INCHES TOLERANCES: DECIMAL: X.X ± 0.06 X.XX ± 0.03 X.XXX ± 0.005 ANGULAR: ± 0.5° FRACTIONAL ± 1/32"	DRAWN	NAME	DATE	TICO/TERMINAL SERVICE 66 CYPRESS RIDGE DR. RIDGELAND, SC 29936 (843) 717-2226
	CHECKED	MPC	3/22/2017	
	APPROVED			
	DO NOT SCALE DRAWING			
INTERPRET GEOMETRIC TOLERANCING PER: ASME 14.5M-1994	THE SUBJECT MATTER SHOWN AND DESCRIBED IN THIS DRAWING AND ANY OTHER INFORMATION ADVANCED IN CONNECTION THEREWITH, IS PROPRIETARY PROPERTY AND IS TO BE HELD IN STRICT CONFIDENCE BY YOU. ALL RIGHTS TO ANY INVENTIONS, DESIGNS, TRADE MARKS, TRADE NAMES AND COPYRIGHTS DISCLOSED ARE RESERVED TO TICO TERMINAL SERVICES, INC.			TITLE: ASSEMBLY, BATTERY & WIRING
FINISH	SIZE	DWG. NO.	REV	
THICKNESS	B	721344-B1		
	SCALE: 1:48	WEIGHT:	SHEET 2 OF 3	



DIMENSIONS ARE IN INCHES TOLERANCES: DECIMAL: X.X ± 0.06 X.XX ± 0.03 X.XXX ± 0.005 ANGULAR: ± 0.5° FRACTIONAL ± 1/32"	NAME	DATE	 TICO/TERMINAL SERVICE 66 CYPRESS RIDGE DR. RIDGELAND, SC 29936 (843) 717-2226	
	DRAWN	MPC		3/22/2017
	CHECKED			
	APPROVED			
INTERPRET GEOMETRIC TOLERANCING PER: ASME 14.5M-1994	DO NOT SCALE DRAWING		TITLE: ASSEMBLY, BATTERY & WIRING	
MATERIAL FINISH THICKNESS	THE SUBJECT MATTER SHOWN AND DESCRIBED IN THIS DRAWING AND ANY OTHER INFORMATION ADVANCED IN CONNECTION THEREWITH, IS PROPRIETARY PROPERTY AND IS TO BE HELD IN STRICT CONFIDENCE BY YOU. ALL RIGHTS TO ANY INVENTIONS, DESIGNS, TRADE MARKS, TRADE NAMES AND COPYRIGHTS DISCLOSED ARE RESERVED TO TICO TERMINAL SERVICES, INC.		SIZE B DWG. NO. 721344-B1 REV	
	SCALE: 1:48	WEIGHT:	SHEET 3 OF 3	

TICO PRO-SPOTTER				
BATTERY & WIRING, 2016-ISB, 128" EB, 2-730 CCA BATTS RH SIDE STEP				721334
ITEM	PART #	QTY/M	DESCRIPTION	
	20012	4	ASSEMBLY, J-BOLT	
30	20012-1	4	J-BOLT x 1/4-20 - BATTERY HOLD DOWN	
31	80129	4	WASHER, FENDER 1/4-20	
32	85023	4	NUT, NYLOCK 1/4-20	
33	20077	4	COUPLING, EYE 1/4-20	
34	20012-4	4	WASHER, .25 x 1.25 x .88 GRAY PLASTIC	
35	85111	8	WASHER, FLAT 1/4	
36	82381	4	BOLT, HEX 1/4-20 X 1-1/4	
37	85133	4	LOCKWASHER, 1/4	
38	91250	1	BACKUP ALARM ASSEMBLY, STANDARD, VELVAC	
39	40198		BACKUP ALARM, STANDARD, VELVAC	
40	80129	2	WASHER, FENDER 1/4-20 x 1 1/4 OD	
41	85111	4	WASHER, FLAT 1/4	
42	85023	2	LOCKNUT, HEX 1/4-20 NYLOK	
NS	62167	1	HARNES-BACK UP ALARM	
43	90207	1	HORN, ELECTRIC	
44	85089	1	WASHER, FLAT, 1/4	
45	85023	1	LOCKNUT, NYLON, 1/4-20	
46	62265	1	BRACKET - C, FRAME WIRING STANDOFF	
47	62410	1	HARNES WIRE - PDC-CHASSIS ISB 15	
48	91938	1	COVER - PDC PANEL	
49	61597	1	SPACER	
NS	620548	1	HARNES WIRES-CAB PDC, ISB, SEPARATE W/L, CNTR REVERSE, AUX POWER	
NS	61558	1	HARNES WIRE - CAB POWER	
NS	61521	1	HARNES WIRE - CAB ACC. (1 FANS/DOME LGT)	
NS	620497	1	HARNES WIRE - EXTERIOR LIGHTS, SEPARATE WORKLIGHTS, BRAID	
NS	61559	1	HARNES WIRE- SPITTER	
NS	62084	1	HARNES WIRE - TAIL LIGHTS 128" WB	
NS	91132	1	WIRE ASSY-CAB GND	
NS	920043	2	HARNES WIRE-FLR TO CAB PDC	
NS	920042	1	HARNES WIRE-CAB GND	
NS	910327	1	WIRE ASSY- CHASSIS PDC TO FRAME	
NS	91171	1	HARNES WIRE - AIR INTAKE HEATER to PDC, QSB4 & ISB13	
NS	91268	4	SHRINK TUBING-2" ID, 6" LONG	
REV	DATE	BY		SHEET
B	8/20/2019	MAL		2 OF 3

