
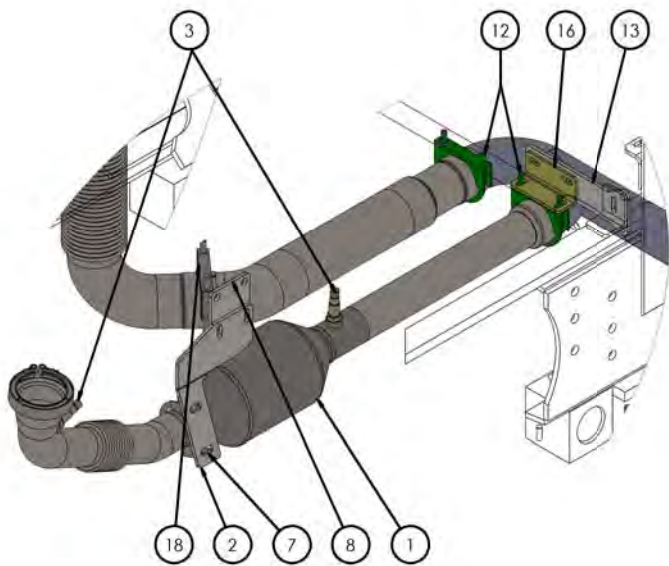


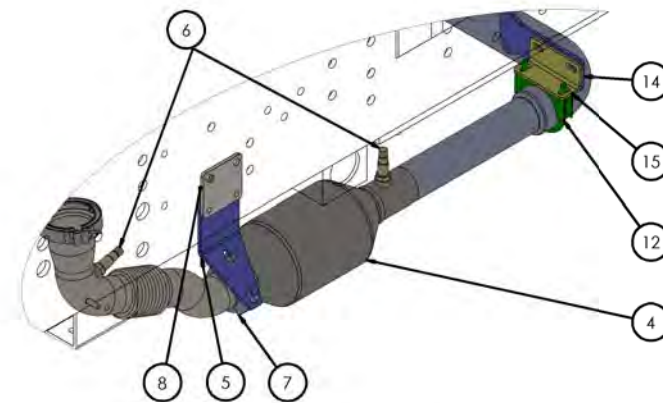
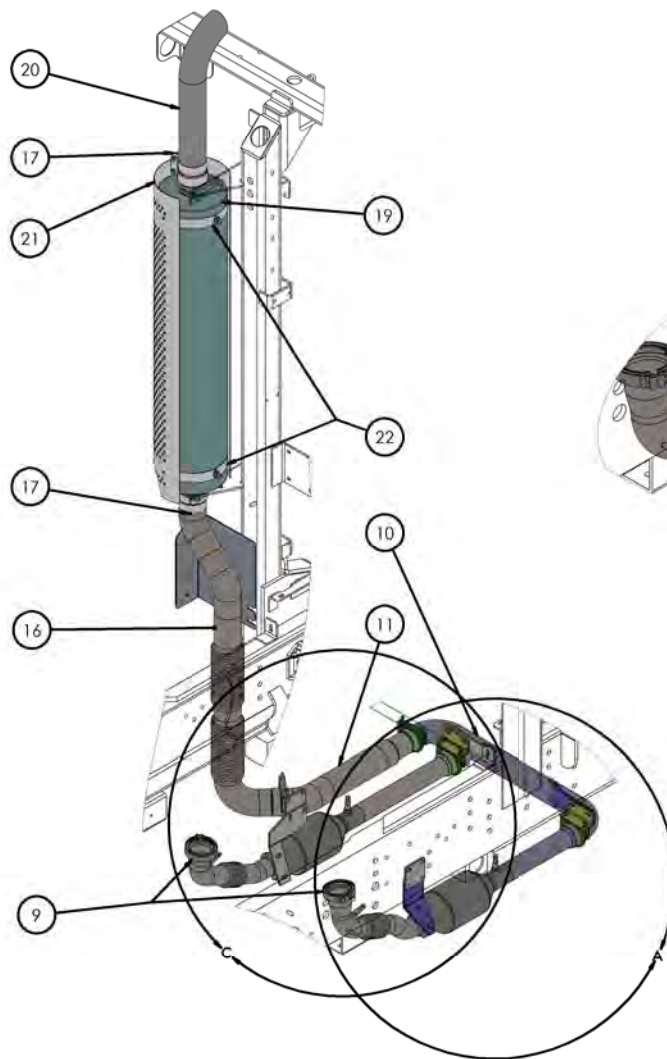
DIMENSIONS ARE IN INCHES		NAME	DATE
DESIGNED BY	DRAMA	MAL	01/11/2017
DRAWN BY			
CHECKED BY			
APPROVED BY			
ISSUED BY			
REVISIONS			
DATE			
DESCRIPTION			
1			
2			
3			
4			
5			
6			
7			
8			
9			
10			
11			
12			
13			
14			
15			
16			
17			
18			
19			
20			
21			
22			
23			
24			
25			
26			
27			
28			
29			
30			
31			
32			
33			
34			
35			
36			
37			
38			
39			
40			
41			
42			
43			
44			
45			
46			
47			
48			
49			
50			


 TITLE: EXHAUST SYSTEM, 2016  
 PSI - 8.6L  
 SHEET: D  
 DWG. NO.: 721330-B1  
 SCALE: 1:32 | WEIGHT: 3102.95 | SHEET 1 OF 1

721330-B1



RH EXHAUST ASSEMBLY



LH EXHAUST ASSEMBLY

REV	DATE	BY	CHKD	DESCRIPTION
1	01/11/2017	SAJ	SAJ	ISSUED FOR MANUFACTURE

DIMENSIONS ARE IN INCHES UNLESS OTHERWISE SPECIFIED ANGULAR DIMENSIONS ARE IN DEGREES UNLESS OTHERWISE SPECIFIED FINISHES ARE AS SHOWN UNLESS OTHERWISE SPECIFIED SEE NOTE 1 FOR MATERIAL SPECIFICATIONS UNLESS OTHERWISE SPECIFIED	DO NOT SCALE DRAWING THE SUBJECT MATTER herein AND HEREIN IS UNCLASSIFIED AND IS RELEASED TO THE PUBLIC IN FULL ON 08/21/2018 BY THE NATIONAL ARCHIVES AT COLLETSVILLE, MD 21041 ALL RIGHTS RESERVED BY THE ORIGINAL OWNER AND/OR CREATOR UNLESS OTHERWISE SPECIFIED	<b>TRICO</b> <b>GP</b>	TCO/TERMINAL SERVICE AN-C/17002 P/002 CW R02014616 LC 0700A 8443 717 2204
TITLE: EXHAUST SYSTEM, 2016 P51-8,5L			SUE [DWG. NO. <b>D</b> 721330-81 REV
SCALE: 1:32   WEIGHT: 3102.9   SHEET 1 OF 1			721330-81

TICO PRO-SPOTTER				
EXHAUST SYSTEM, 2016 PSI 8.8L, 65" DOOR, ALUMINIZED VERTICAL STACK				721330
ITEM	PART #	QTY/M	DESCRIPTION	
	721330A	REF	INSTALLATION, EXHAUST SYSTEM, PSI 8.8L	
1	620655	1	EXHAUST, ASSEMBLY, RH	
	620644	1	EXHAUST, TUBE, RH POST-CAT	
	620509	1	CATALYST, EXHAUST - PSI 8.8	
	620688	1	EXHAUST, BELLOW, 4IN	
	620689	1	EXHAUST, TUBE, RH PRE-CAT A	
	620506-2	1	CATALYST PORT, PSI 8.8L	
	620690	1	EXHAUST, TUBE, RH PRE-CAT B	
2	620658	1	BRACKET, EXHAUST, TRANSMISSION RH FRONT	
3	620789	2	SENSOR, OXYGEN, PSI 8.8L	
4	620656	1	EXHAUST, ASSEMBLY, LH	
	620646	1	EXHAUST, TUBE, LH POST-CAT	
	620509	1	CATALYST, EXHAUST - PSI 8.8	
	620506-2	1	CATALYST PORT, PSI 8.8L	
	620688	1	EXHAUST, BELLOW, 4IN	
	620691	1	EXHAUST, TUBE, LH PRE-CAT A	
	620692	1	EXHAUST, TUBE, LH PRE-CAT B	
5	620515	1	BRACKET, EXHAUST, ENG MT TO CATALYST	
6	620789	2	SENSOR, OXYGEN, PSI 8.8L	
7	620523	2	CLAMP, EXHAUST, 2 1/2	
8	620514	2	BRACKET, EXHAUST AT ENGINE MOUNT	
9	420303	2	CLAMP, V-BAND - EXHAUST MANIFOLD	
NOT SHOWN	620525	2	GASKET, EXHAUST MANIFOLD - PSI 8.8	
11	620647	1	EXHAUST, TUBE, CROSSOVER	
12	620648	1	EXHAUST, TUBE, EXPANDER	
13	40005	3	CLAMP, 3" EXHAUST - U-BOLT	
14	620516	1	BRACKET, EXHAUST, TRANS RH	
15	620517	1	BRACKET, EXHAUST, TRANS LH	
16	620518	2	BRACKET, EXHAUST, TRANS TO CROSSOVER TUBE	
17	620657	1	EXHAUST, ASSEMBLY, VERTICAL	
18	620696	2	CLAMP, 3.5" SS LAP JOINT	
<b>REV</b>	<b>DATE</b>	<b>BY</b>		<b>SHEET</b>
B	01/11/2017	MAL		1 OF 2
<b>TICO MANUFACTURING - RIDGELAND, SC 29936</b>				

**TICO PRO-SPOTTER****EXHAUST SYSTEM, 2016 PSI 8.8L, 65" DOOR, ALUMINIZED VERTICAL STACK****721330**

<b>ITEM</b>	<b>PART #</b>	<b>QTY/M</b>	<b>DESCRIPTION</b>	
NOT SHOWN	82383	4	BOLT, HEX 3/8-16 X 1-1/4" LG GRD8 - BRKT TO ENGINE MT	
NOT SHOWN	85091	4	WASHER, 3/8"	
NOT SHOWN	82372	4	BOLT, HEX 3/8-16 X 1" LG GRD8 - BRKT TO TRANS	
NOT SHOWN	85091	4	WASHER, 3/8"	
NOT SHOWN	82383	8	BOLT, HEX 3/8-16 X 1-1/4" LG GRD8 - BRKT TO BRKT	
NOT SHOWN	85091	16	WASHER, 3/8"	
NOT SHOWN	85025	8	NUT, NYLOK 3/8-16	
18	620524	1	CLAMP, 3-1/2" EXHAUST U-BOLT STYLE	
19	620510	1	MUFFLER	
20	620511-24	1	STACK, 3-1/2" OD X 24" LG ALUMINIZED	
21	40169	1	MUFFLER SHIELD	
22	40710	1	KIT, MUFFLER SHIELD MOUNTING	
<b>REV</b>	<b>DATE</b>	<b>BY</b>		<b>SHEET</b>
B	01/11/2017	MAL		2 OF 2