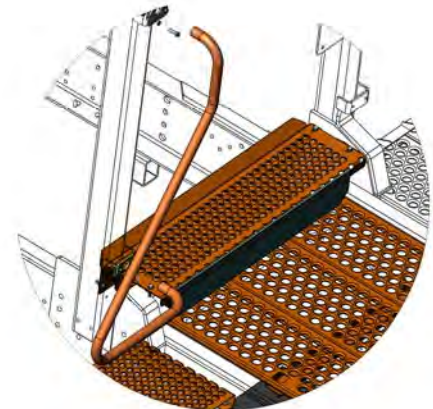
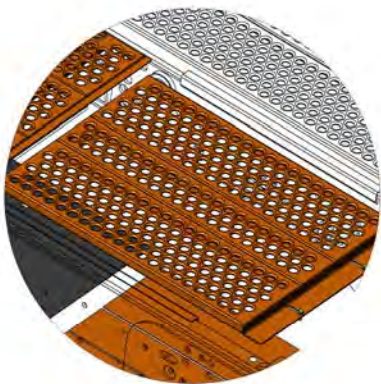




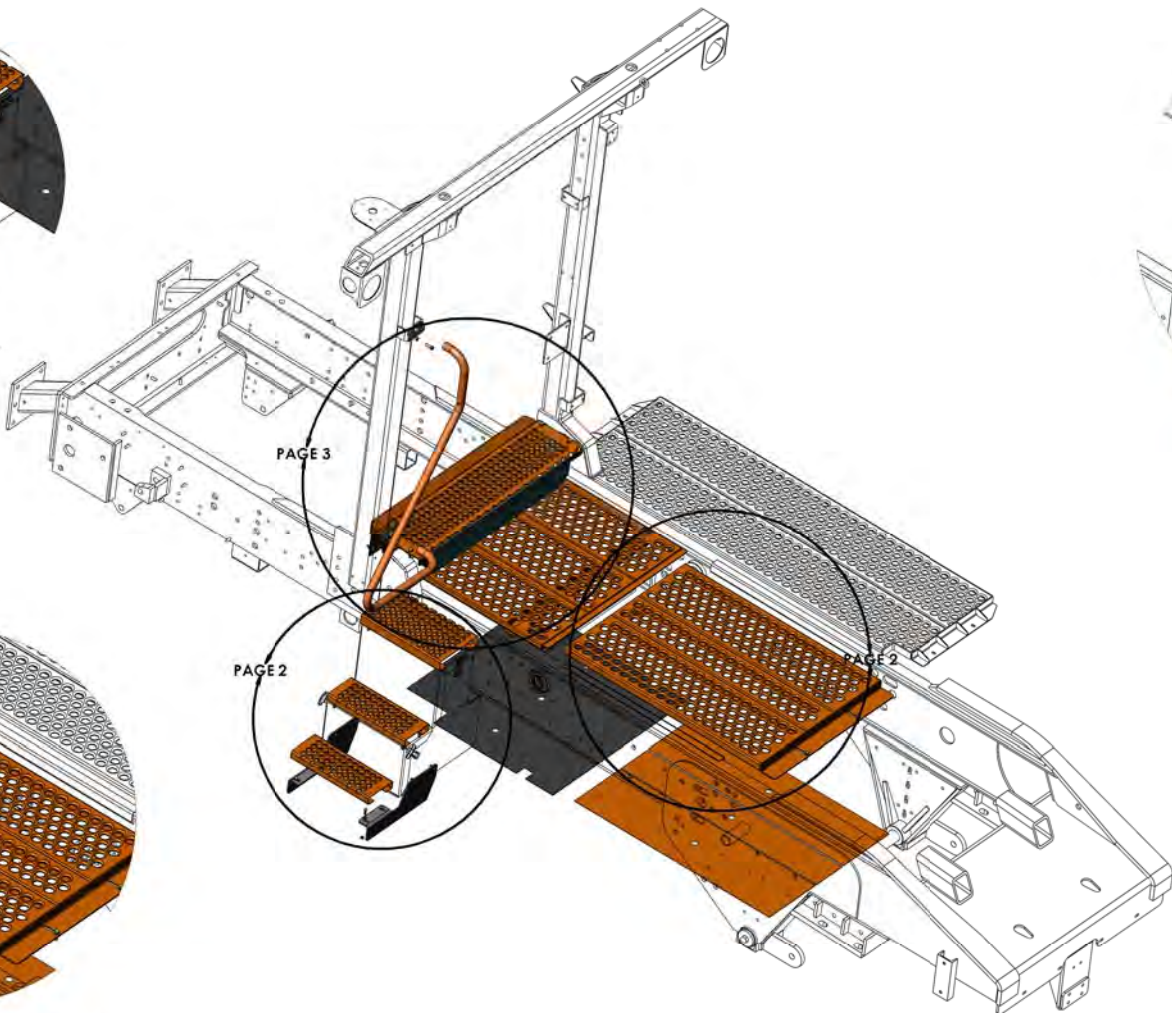
STEP ASSEMBLY  
PAGE 2



CAB STEP UP  
& HANDRAIL  
PAGE 3



BOOM COVER & TRANSMISSION COVER  
PAGE 2



PAGE 3

PAGE 2

PAGE 2

DESCRIPTION	DATE	BY	CHKD
DESIGNED	01/06/2016	SM	SM
DRAWN			
CHECKED			
APPROVED			
DO NOT SCALE DRAWING			
THE SUBJECT MATTER herein and the drawings are the property of the licensor and are not to be used, copied, reproduced, or transmitted in any form or by any means, electronic, mechanical, photocopying, recording, or by any information storage and retrieval system, without the prior written permission of the licensor.			
SEE NOTE			
REVISION			

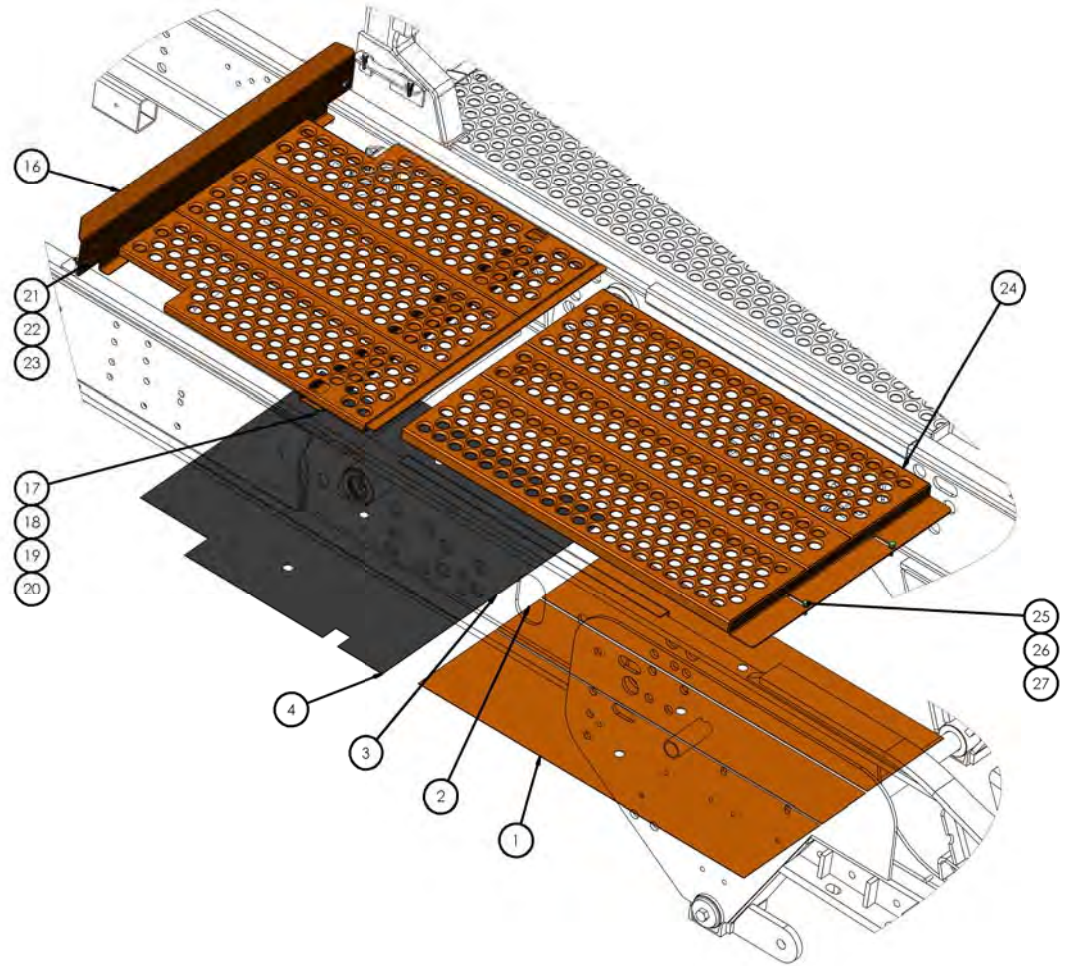
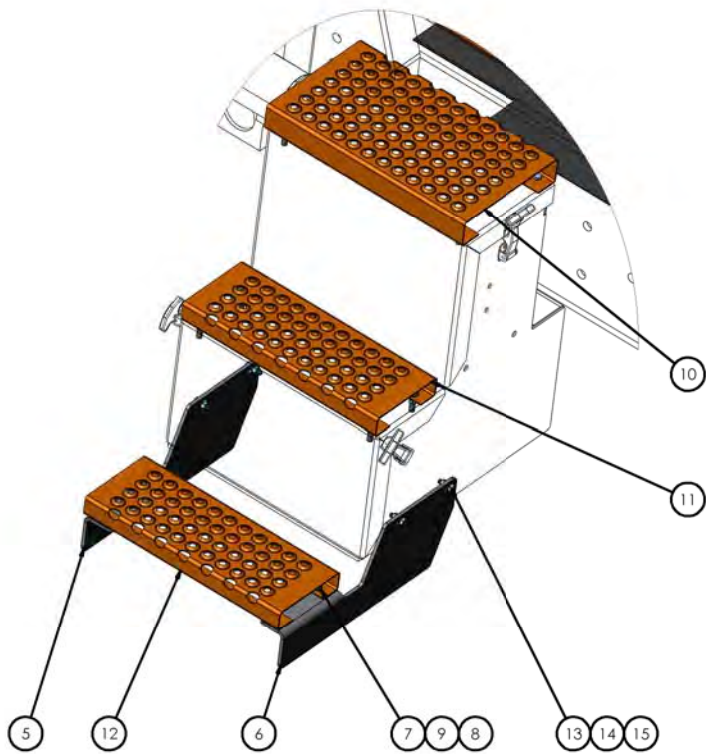
  

<p>721316-81</p> <p>721316-81</p>	<p>721316-81</p> <p>721316-81</p>	<p>721316-81</p> <p>721316-81</p>	<p>721316-81</p> <p>721316-81</p>
-----------------------------------	-----------------------------------	-----------------------------------	-----------------------------------

TICCO INTERNATIONAL SERVICE  
AN O'CONNOR POWER CO.  
845 717 2200

TITLE: COVERS AND GRATINGS,  
2016 CNG

SHEET 1 OF 1



DESIGNED BY: B. HORN	NAME:	DATE:	TICORP SERVICE AN O'NEILL ROUSE CO. ROCKVILLE, MD 20850 (843) 717-2200
DRAWN: MAL	DATE: 01/06/2017		
CHECKED:			TITLE: ASSEMBLY COVERS & GRATINGS-2016 PSI CHG
APPROVED:			
ANGULAR:	DO NOT SCALE DRAWING		SITE [DWG. NO. 721316-B1]
ISOMETRIC:			
REVISIONS:			REV
SEE NOTE			
REVISION:			

721316-B1

SHEET 1 OF 1





