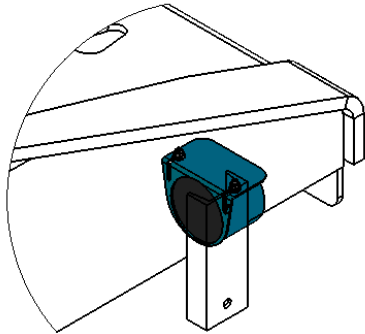
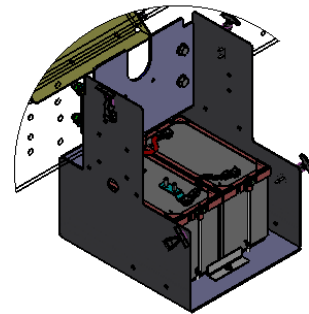


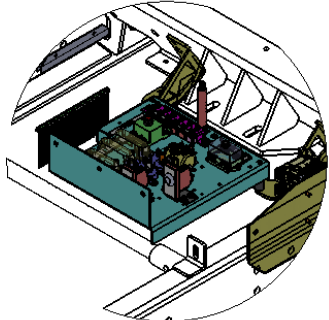
PAGE 3



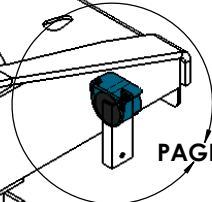
PAGE 3



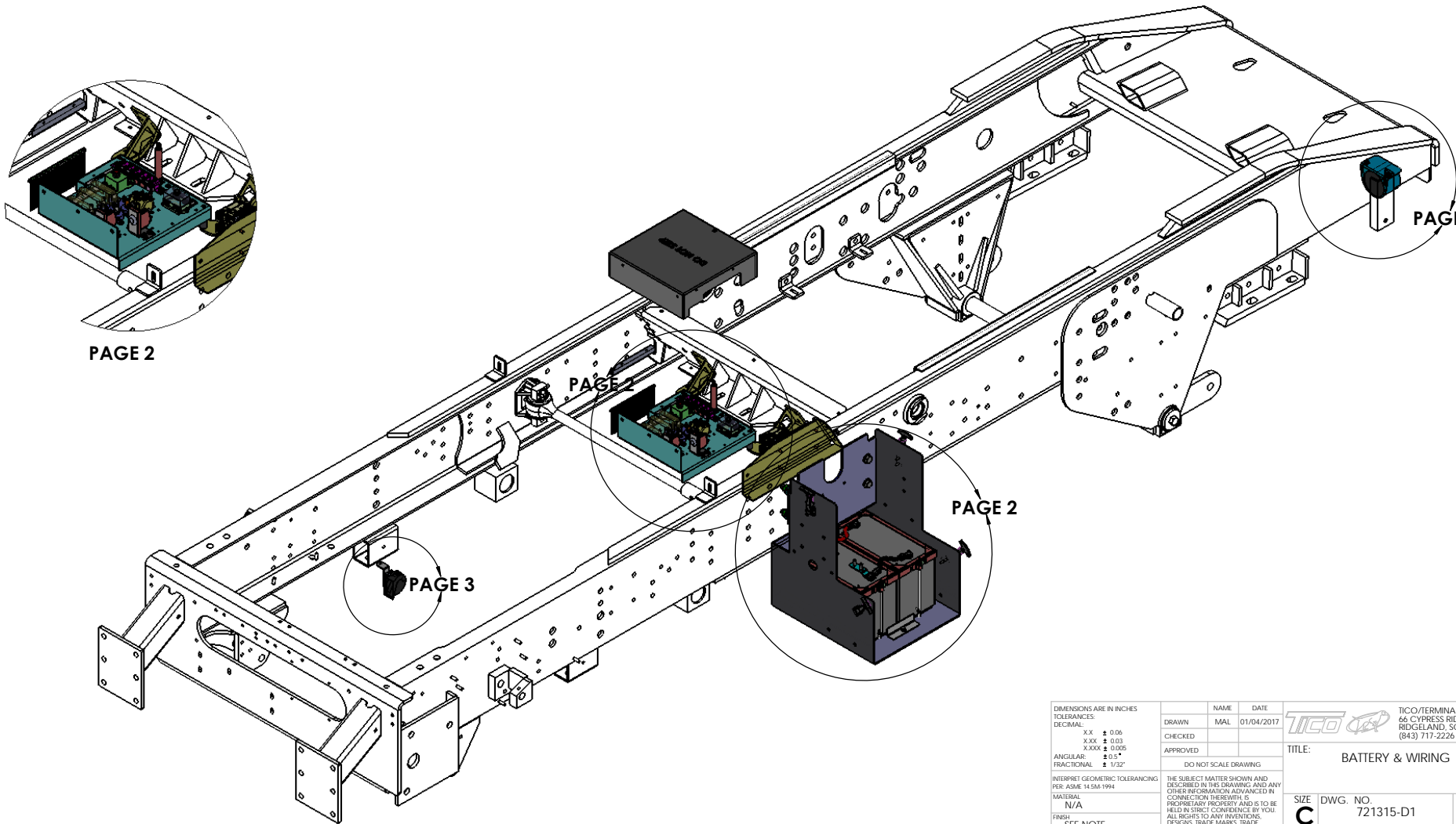
PAGE 2



PAGE 2



PAGE 3



DIMENSIONS ARE IN INCHES  
 TOLERANCES:  
 DECIMAL:  
 .XX ± 0.06  
 .XXX ± 0.03  
 .XXXX ± 0.005  
 ANGULAR ± 0.5°  
 FRACTIONAL ± 1/32"

INTERPRET GEOMETRIC TOLERANCING PER: ASME Y14.5M-1994  
 MATERIAL N/A  
 FINISH SEE NOTE  
 THICKNESS N/A

NAME	DATE
DRAWN MAL	01/04/2017
CHECKED	
APPROVED	
DO NOT SCALE DRAWING	
THE SUBJECT MATTER SHOWN AND DESCRIBED IN THIS DRAWING AND ANY OTHER INFORMATION ADVANCED IN CONNECTION THEREWITH IS PROPRIETARY PROPERTY AND IS TO BE HELD IN STRICT CONFIDENCE BY YOU. ALL RIGHTS TO ANY INVENTIONS, DESIGNS, TRADE MARKS, TRADE NAMES AND COPYRIGHTS DISCLOSED ARE RESERVED TO TICO TERMINAL SERVICES, INC.	
TICO/TERMINAL SERVICE 66 CYPRESS RIDGE DR. RIDGELAND, SC 29936 (843) 717-2226	
TITLE: BATTERY & WIRING	
SIZE	DWG. NO.
C	721315-D1
SCALE: 1:32	WEIGHT: 2763.00 SHEET 1 OF 1

8

7

6

5

4

3

2

1

F

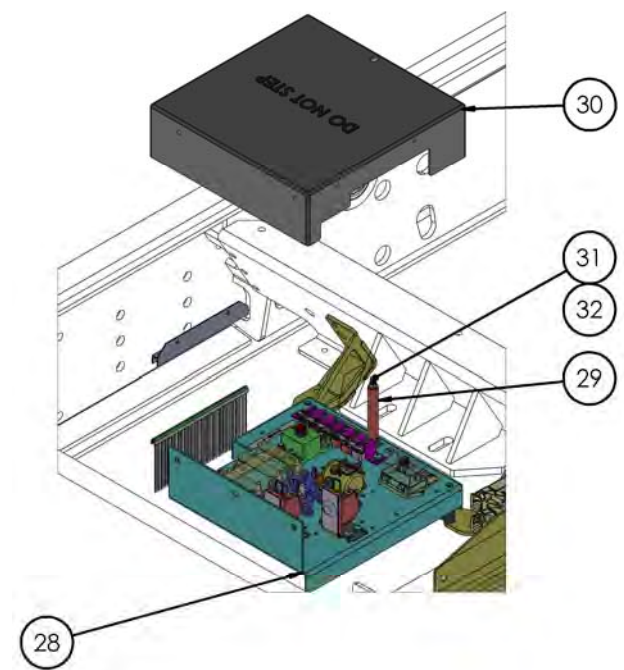
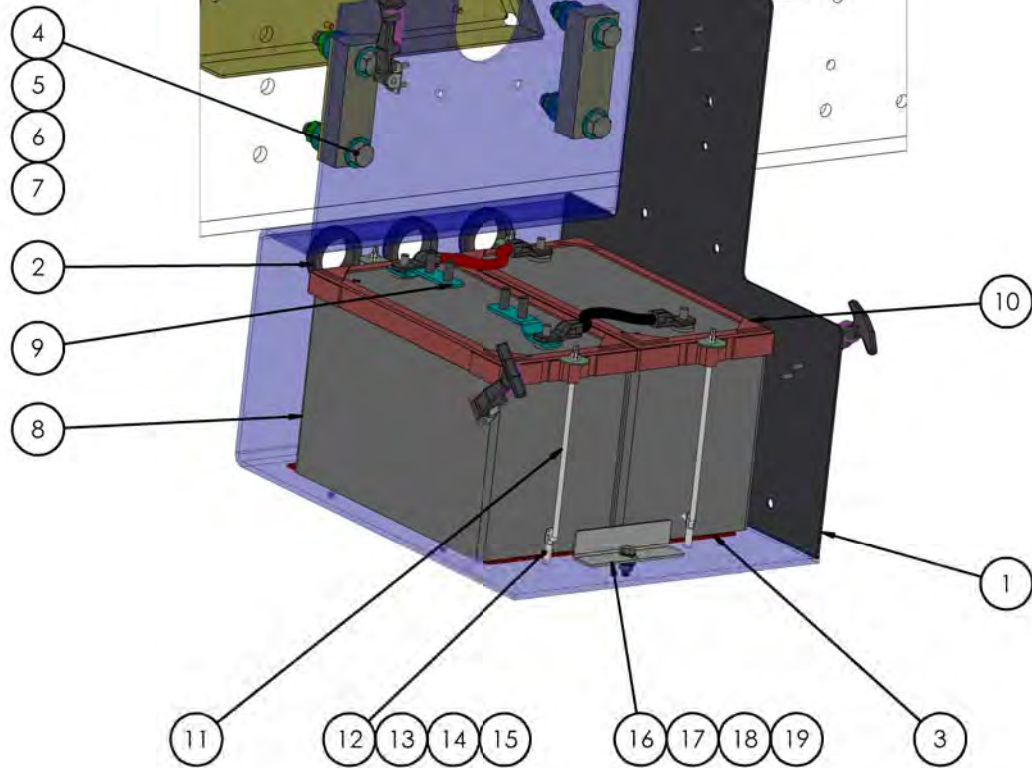
E

D

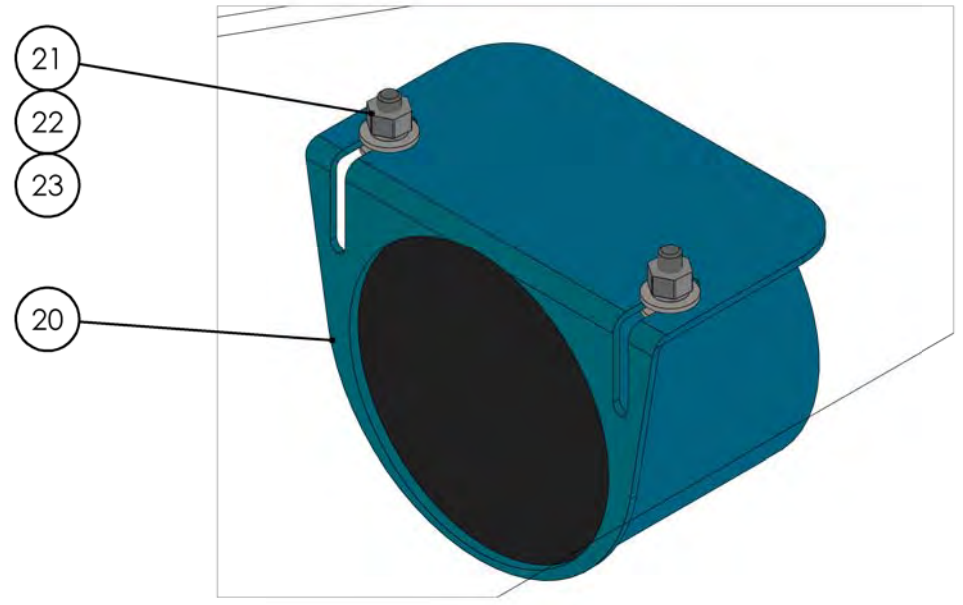
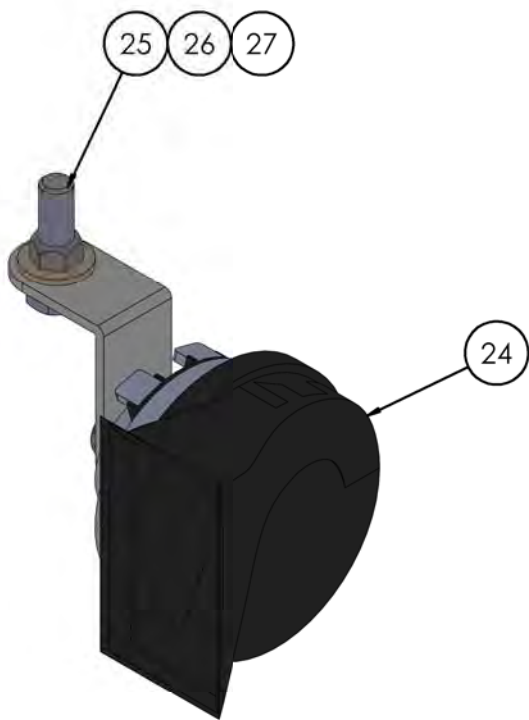
C

B

A



DIMENSIONS ARE IN INCHES		NAME	DATE	 TICO/TERMINAL SERVICE 66 CYPRESS RIDGE DR. RIDGELAND, SC 29936 (843) 717-2226	
TOLERANCES:		DRAWN	MAL		01/04/2016
DECIMAL:		CHECKED			
.XX ± 0.06 .XXX ± 0.03 .XXXX ± 0.005 ANGULAR: ± 0.5° FRACTIONAL: ± 1/32"		APPROVED			
INTERPRET GEOMETRIC TOLERANCING PER: ASME Y14.5M-1994		DO NOT SCALE DRAWING			TITLE: <b>BATTERY &amp; WIRING</b>
MATERIAL N/A		THE SUBJECT MATTER SHOWN AND DESCRIBED IN THIS DRAWING AND ANY OTHER INFORMATION ADVANCED IN CONNECTION THEREWITH IS PROPRIETARY PROPERTY AND IS TO BE HELD IN STRICT CONFIDENCE BY YOU. ALL RIGHTS TO ANY INVENTIONS, DESIGN, TRADE MARKS, TRADE NAMES AND COPYRIGHTS DECLARED ARE RESERVED TO TICO TERMINAL SERVICES, INC.			SIZE DWG. NO. <b>C 721315-D1 PAGE 2</b>
FINISH SEE NOTE					REV
THICKNESS N/A					SCALE: 1:32   WEIGHT: 2763.00 SHEET 1 OF 1



DIMENSIONS ARE IN INCHES		NAME	DATE	 TICO/TERMINAL SERVICE 66 CYPRESS RIDGE DR. RIDGELAND, SC 29936 (843) 717-2226	
TOLERANCES:		DRAWN	MAL		01/04/2016
DECIMAL:		CHECKED			
.XX ± 0.06 .XXX ± 0.03 .XXXX ± 0.005 ANGULAR: ± 0.5° FRACTIONAL: ± 1/32"		APPROVED			
INTERPRET GEOMETRIC TOLERANCING PER: ASME Y14.5M-1994		DO NOT SCALE DRAWING			TITLE: <b>BATTERY &amp; WIRING</b>
MATERIAL	N/A	THE SUBJECT MATTER SHOWN AND DESCRIBED IN THIS DRAWING AND ANY OTHER INFORMATION ADVANCED IN CONNECTION THEREWITH IS PROPRIETARY PROPERTY AND IS TO BE HELD IN STRICT CONFIDENCE BY YOU. ALL RIGHTS TO ANY INVENTIONS, DESIGN, TRADE MARKS, TRADE NAME AND COPYRIGHTS DECLARED ARE RESERVED TO TICO TERMINAL SERVICES, INC.			SIZE DWG. NO. REV
FINISH	SEE NOTE	SCALE: 1:32   WEIGHT: 2763.03 SHEET 1 OF 1			<b>C</b> <b>721315-D1 PAGE 3</b>
THICKNESS	N/A				



**TICO PRO-SPOTTER**

<b>S/N:</b>	<b>ASSEMBLY, BATTERY &amp; WIRING</b>	<b>721315</b>
-------------	---------------------------------------	---------------

ITEM	PART #	QTY/M	DESCRIPTION
	91249	1	ASSEMBLY, BACKUP ALARM, ADJUSTABLE GROTE
20	50226	1	BACKUP ALARM, ADJUSTABLE, GROTE
21	82359	1	BOLT, HEX HEAD, 1/4-20 X 3/4 LONG
22	85111	4	WASHER, FLAT, 1/4
NOT SHOWN	80120	2	WASHER, FENDER, 1/4-20 X 1-1/4 OD
23	85023	2	LOCKNUT, NYLON, 1/4-20
24	90207	1	HORN, ELECTRIC
25	82383	2	BOLT, HEX HEAD, 3/8-16 X 1-1/4 LONG
26	85113	4	WASHER, FLAT, 3/8
27	85035	2	LOCKNUT, NYLON, 3/8-16
28	620569	1	HARNESS, PDC, CHASSIS
29	61597	1	SPACER
30	91938	1	PANEL COVER, PDC
31	85113	2	WASHER, FLAT, 3/8
32	85023	2	LOCKNUT, NYLON, 3/8-16
NOT SHOWN	62265	1	C-BRACKET, WIRING STANDOFF, FRAME
NOT SHOWN	90843	1	CABLE - 3/0 RED BATTERY JUMPER 9 1/2 HTH
NOT SHOWN	90844	1	CABLE - 3/0 BLK BATTERY JUMPER 9 1/2 HTH
NOT SHOWN	910349	1	CABLE-1/0 BLACK, BATTERY TO BLOCK, 96"
NOT SHOWN	910399	1	CABLE - 2/0 RED BATTERY to PDC 69 1/2" Lg
NOT SHOWN	910400	1	CABLE - 2/0 BLK BATTERY to PDC 62" Lg
NOT SHOWN	910348	1	CABLE-1/0 RED BATTERY TO STARTER,82"
NOT SHOWN	910347	1	CABLE-2 GA RED ALT TO STARTER, 48"
NOT SHOWN	910350	1	CABLE- 2 GA BLACK, ALTERNATOR TO BLOCK, 26"
NOT SHOWN	61821	1	POWER CABLE - LIFT PUMP TO PDC
NOT SHOWN	91229	4	COVER-BATTERY POST (RED)
NOT SHOWN	91230	4	COVER-BATTERY POST (BLACK)
NOT SHOWN	91021	1	FUSE, 5A, F17
NOT SHOWN	91023	8	FUSE, 10A, F4/F15/F19
NOT SHOWN	91025	10	FUSE, 20A, F2/F3/F5/F7/F8/F9/F10/F14/F18/F20
NOT SHOWN	91027	1	FUSE, 30A, F6
NOT SHOWN	90870	14	RELAY
NOT SHOWN	40801	1	WIRE, 6 GA, CAM TILT, PUMP TO SWITCH
<b>REV</b>	<b>DATE</b>	<b>BY</b>	<b>SHEET</b>
D	12/28/2016	MAL	2 OF 3

