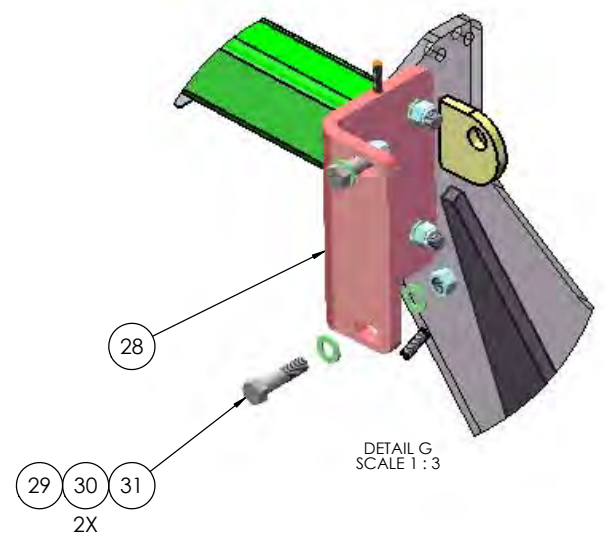
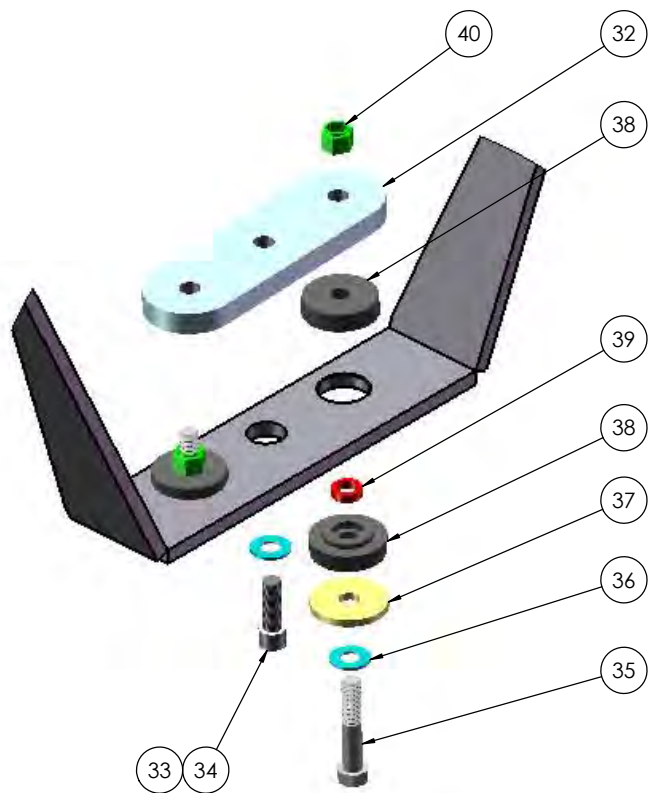


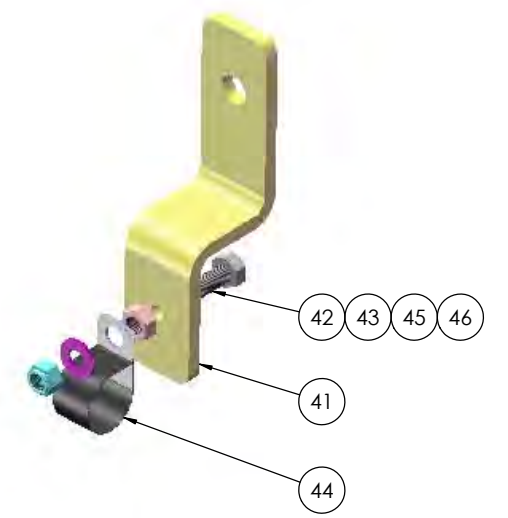
DETAIL D  
SCALE 2:3



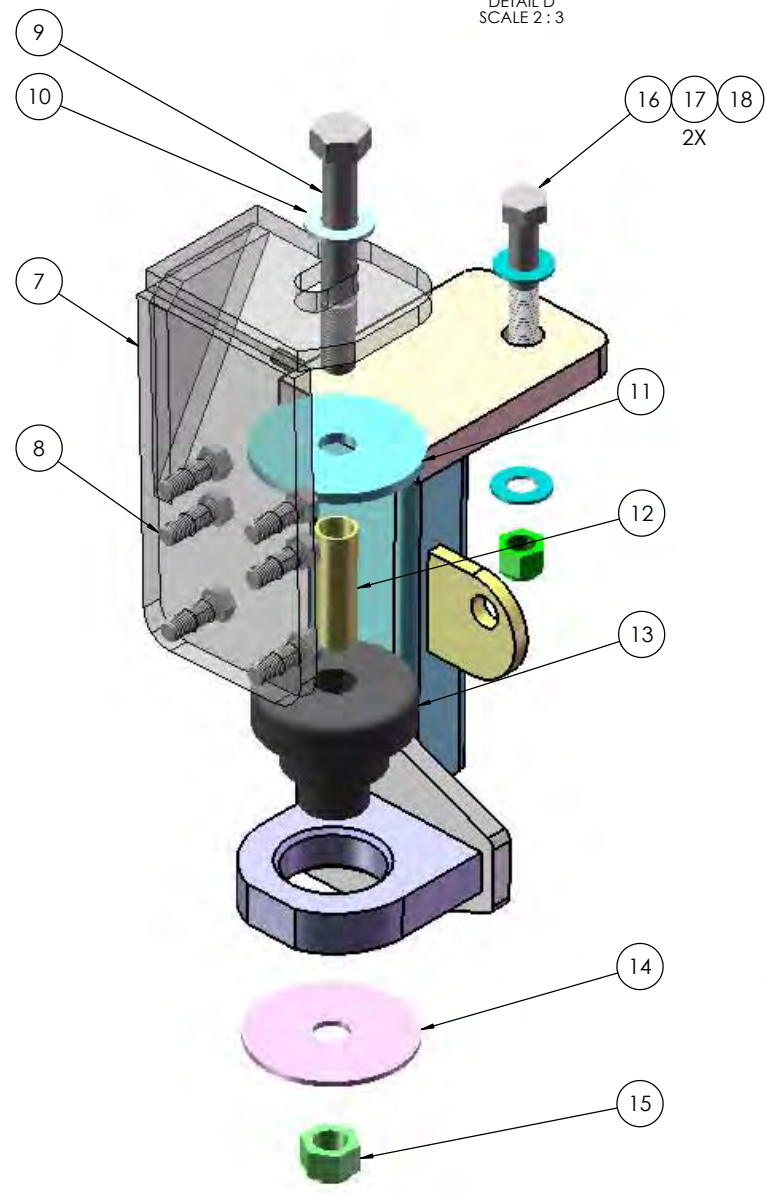
DETAIL G  
SCALE 1:3



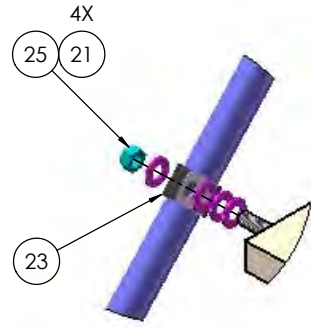
DETAIL H  
SCALE 1:3



DETAIL I  
SCALE 2:3



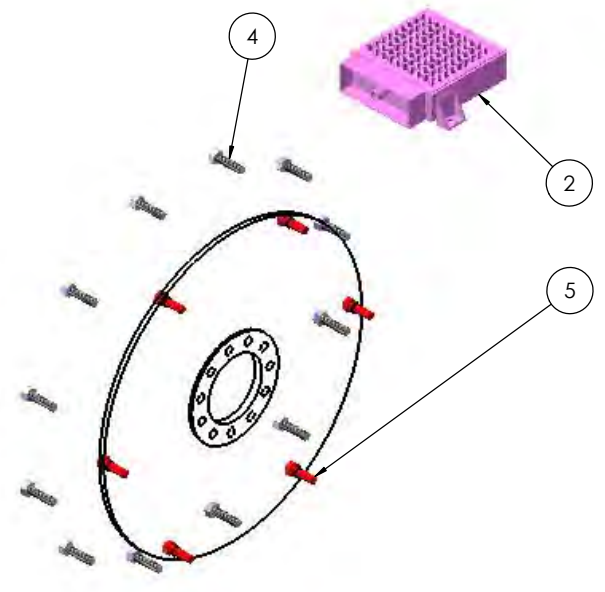
DETAIL C  
SCALE 1:2



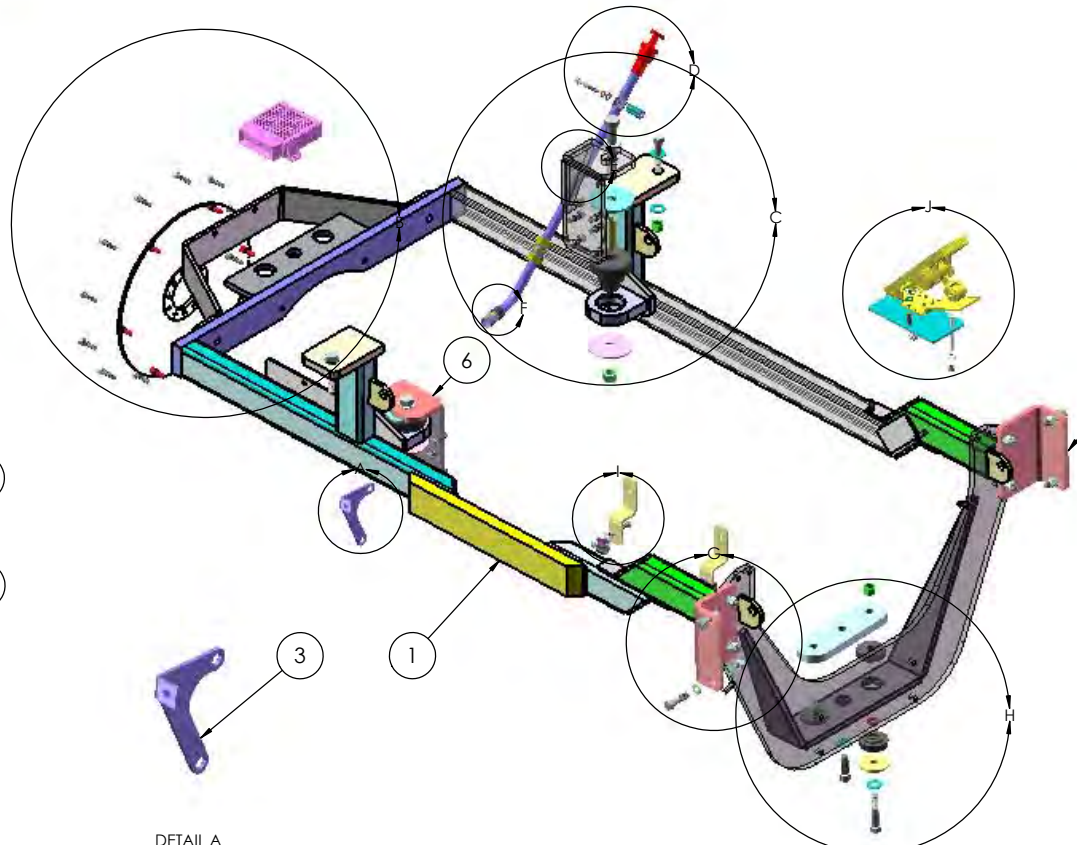
DETAIL E  
SCALE 1:2



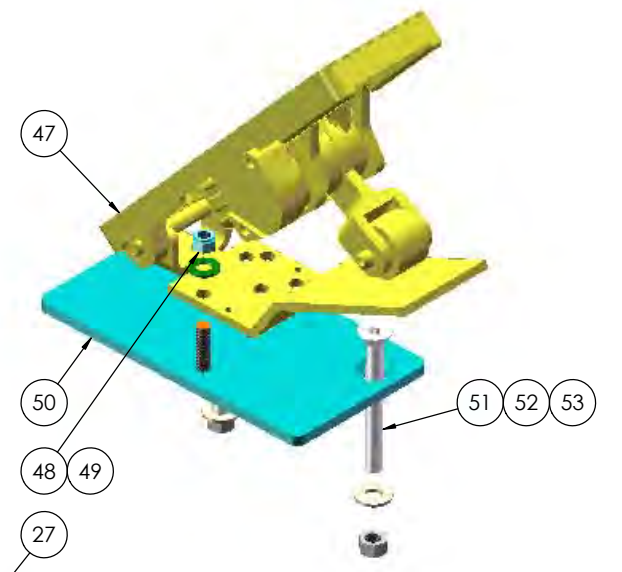
DETAIL F  
SCALE 1:3



DETAIL B  
SCALE 1:4



DETAIL A  
SCALE 1:4



DETAIL J  
SCALE 1:2

NOTE: ENGINE & TRANSMISSION NOT SHOWN FOR CLARITY

DIMENSIONS ARE IN INCHES TOLERANCES: DECIMAL: XX ± 0.04 XXX ± 0.03 XXXX ± 0.005 ANGULAR: FRACTIONAL: ± 0.5° ± 1/32"		NAME: SWB DATE: 09/12/2014 REVISED: MPC DATE: 07/29/2016 APPROVED:	TICO/TERRA SERVICE 44 CYPRESS RIDGE DR. RIDGELAND, SC 29936 (843) 717-2226
INTERPRET GEOMETRIC TOLERANCING PER: ASME Y14.5M-1994 MATERIAL: FINISH: THICKNESS:		DO NOT SCALE DRAWING THE SUBJECT MATTER SHOWN AND DESCRIBED IN THIS DRAWING AND ANY OTHER INFORMATION ADVANCED IN CONNECTION THEREWITH IS PROPRIETARY PROPERTY AND IS TO BE HELD IN STRICT CONFIDENCE BY YOU. ALL RIGHTS TO ANY INVENTIONS, DESIGNS, TRADE MARKS, TRADE NAMES AND COPYRIGHTS DISCLOSED ARE RESERVED TO TICO/TERRA SERVICES, INC.	
TITLE: ASSEMBLY, ENGINE & TRANSMISSION QSB IVI		SIZE: D	DWG. NO.: 721312-B1 REV: SHEET 1 OF 1

TICO PRO-SPOTTER				
S/N:		ASSEMBLY, ENGINE & TRANSMISSION, QSB-IV		721312
ITEM	PART #	QTY/M	DESCRIPTION	
	721312-B1	REF	ASSEMBLY, ENGINE & TRANSMISSION, QSB-IV	
	620557	1	ENGINE, CUMMINS, QSB-IV FINAL, 158 HP @2100	
	60799-17	1	TRANSMISSION, RDS 3000, ALLISON E020600, TC-417	
	62192	1	SHIFTER, TRANSMISSION, PUSH BUTTON, GENERATION V	
1	62115	1	ENGINE CRADLE, QSB TIER IVi	
2	62185	1	TCM, 1ST THROUGH 5th SPEED, 1950/2800 RPM SHIFT, GENERATION V	
NOT SHOWN	82359	3	BOLT, HEX HEAD, 1/4-20 X 3/4 LONG	
NOT SHOWN	85089	6	WASHER, FLAT, 1/4	
NOT SHOWN	85023	3	LOCKNUT, NYLON, 1/4-20	
3	90910	1	BRACKET, BATTERY CABLE SUPPORT	
4	60799-12	1	KIT, TRANSMISSION MOUNTING	
5	60799-6	6	BOLT, FLEX PLATE/TORQUE CONVERSION	
6	60981	1	MOUNT, REAR ENGINE, LEFT-HAND	
7	60982	1	MOUNT, REAR ENGINE, RIGHT-HAND	
8	80240	12	BOLT, HEX HEAD, 12 MM X 1-1/2 X 35 MM LONG (TORQUE: 55)	
9	82574	2	BOLT, HEX HEAD, 3/4-10 X 5-1/2 LONG	
10	85095	2	WASHER, FLAT, 3/4	
11	60740	2	WASHER, FLAT, 3/4 (REAR ENGINE MOUNT)	
12	61677-8	2	SPACER, BOLT	
13	61678	2	ISOLATOR, REAR ENGINE	
14	60740-1	2	WASHER, FLAT, 3/4 (REAR ENGINE MOUNT)	
15	85029	2	LOCKNUT, NYLON, 3/4-10 (TORQUE: 210)	
16	82552	2	BOLT, HEX HEAD, 3/4-10 X 5 LONG	
17	85095	4	WASHER, FLAT, 3/4-16	
18	85029	2	LOCKNUT, NYLON, 3/4-16	
19	61574	1	DIPSTICK, TRANSMISSION, RDS	
20	82382	3	BOLT, HEX HEAD, 5/16-18 X 2-1/4 LONG	
21	85090	8	WASHER, FLAT, 5/16	
22	85134	2	LOCKWASHER, 5/16	
23	42197	2	P-CLAMP, 3/4"	
24	12091	2	SPACER, DIPSTICK CLIP	
25	85024	1	LOCKNUT, NYLON, 5/16-18	
26	62126	1	CLIP, RETAINER, DIPSTICK	
REV	DATE	BY		SHEET
B	08/12/2016	MPC		1 OF 3

TICO MANUFACTURING - RIDGELAND, SC 29936



