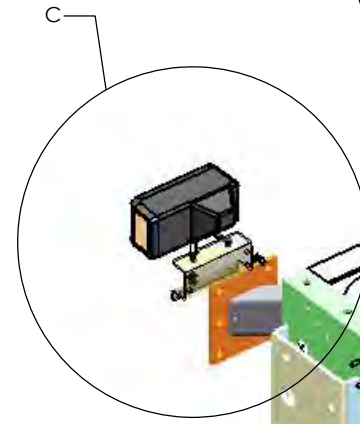
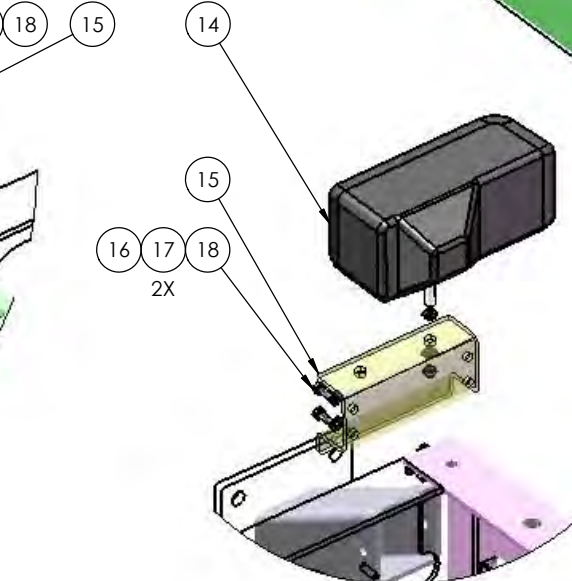


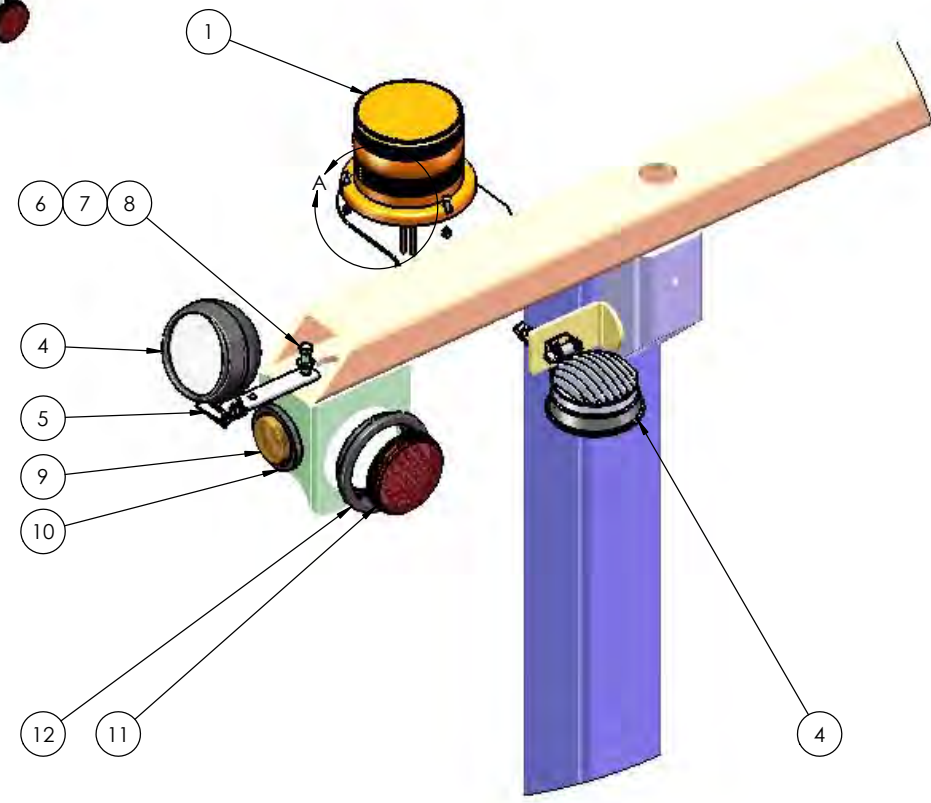
**DETAIL E**  
SCALE 1 : 5



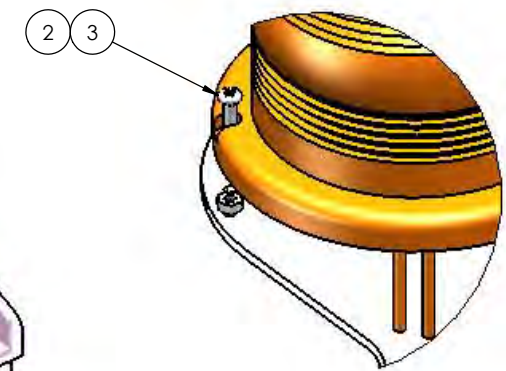
**DETAIL C**  
SCALE 1 : 6



**DETAIL D**  
SCALE 1 : 6



**DETAIL B**  
SCALE 1 : 6



**DETAIL A**  
SCALE 1 : 2

DIMENSIONS ARE IN INCHES  
TOLERANCES:  
DECIMAL:  
XX ± 0.06  
XXX ± 0.03  
XXXX ± 0.005  
ANGULAR:  
FRACTIONAL ± 1/32"

INTERPRET GEOMETRIC TOLERANCING PER: ASME 14.5M-1994

MATERIAL

FINISH

THICKNESS

| NAME        | DATE       |
|-------------|------------|
| DRAWN DFM   | 01/15/2016 |
| REVISED MPC | 06/29/2016 |
| APPROVED    |            |

DO NOT SCALE DRAWING

THE SUBJECT MATTER SHOWN AND DESCRIBED IN THIS DRAWING AND ANY OTHER INFORMATION ADVANCED IN CONNECTION THEREWITH IS PROPRIETARY PROPERTY AND IS TO BE HELD IN STRICT CONFIDENCE BY YOU. ALL RIGHTS TO ANY INVENTIONS, DESIGNS, TRADE MARKS, TRADE NAMES AND COPYRIGHTS DISCLOSED ARE RESERVED TO TICO TERMINAL SERVICES, INC.

|  |                              |
|--|------------------------------|
| TICO/TERMINAL SERVICE<br>66 CYPRESS RIDGE DR.<br>RIDGELAND, SC 29936<br>(843) 717-2226 |                              |
| TITLE:<br><b>ASSEMBLY, LIGHTS &amp; MOUNTING</b>                                       |                              |
| SIZE<br><b>C</b>   | DWG. NO.<br><b>721311-A1</b> |
| REV  | SHEET 1 OF 1                 |

**TICO PRO-SPOTTER**

|             |  |               |
|-------------|--|---------------|
| <b>S/N:</b> | <b>ASSEMBLY, LIGHTS &amp; MOUNTING</b> | <b>721311</b> |
|-------------|--|---------------|

| ITEM      | PART #    | QTY/M | DESCRIPTION  |
|-----------|-----------|-------|--|
|           | 721311-A1 | REF   | ASSEMBLY, LIGHTS & MOUNTING  |
|           | 620564    | REF   | HARNESS, CAB BAR, LOWER, 65" TO 72", SEPARATE WORK LIGHTS, STROBE, LTS |
| 1         | 91319     | 1     | ASSEMBLY, STROBE LIGHT, LED, TRUCKLITE                                 |
| 2         | 80196     | 3     | SCREW, PAN HEAD, 10-32 X 1 LONG  |
| 3         | 80209     | 3     | LOCKNUT, #10-32  |
| 4         | 91216     | 5     | LIGHT, WORK, FLOOD, 12V LED  |
| 5         | 50185     | 2     | EXTENSION, BAR LIGHT   |
| 6         | 82383     | 5     | BOLT, HEX HEAD, 3/8-16 X 1-1/4 LONG                                    |
| 7         | 85091     | 10    | WASHER, FLAT, 3/8  |
| 8         | 85025     | 10    | LOCKNUT, NYLON, 3/8-16   |
| 9         | 91561     | 2     | LIGHT, SIDE MARKER, AMBER, LED, 2-1/2 DIAMETER                         |
| 10        | 40157-4   | 2     | GROMMET, LIGHT, 2-1/2" DIAMETER  |
| 11        | 91773     | 2     | LIGHT, STOP/TAIL/TURN, SIDE MARKER, RED LED, SEALED, 4"                |
| 12        | 91774     | 2     | GROMMET, LED, 4" DIAMETER  |
| 13        | 910377    | 1     | ASSEMBLY, TURN HEADLIGHT, HI/LOW, LED, DRL (LEFT-HAND)                 |
| 14        | 910378    | 1     | ASSEMBLY, TURN HEADLIGHT, HI/LOW, LED, DRL (RIGHT-HAND)                |
| 15        | 920017    | 2     | BRACKET, HEADLIGHT, FRONT FORMED                                       |
| 16        | 82394     | 4     | BOLT, HEX HEAD, 3/8-16 X 1-1/2 LONG                                    |
| 17        | 85091     | 8     | WASHER, FLAT, 3/8  |
| 18        | 85025     | 4     | LOCKNUT, NYLON, 3/8-16   |
| 19        | 91215     | 1     | LIGHT, DOME, LED   |
| 20        | 80196     | 3     | SCREW, PAN HEAD, 10-32 X 1 LONG  |
| NOT SHOWN | 910382    | 2     | HARNESS, WIRE, HAMSAR, HEADLIGHT, DRL                                  |
| NOT SHOWN | 620529    | 2     | HARNESS, LOWER CAB, BAR, WORK LTS JUMPER                               |
| NOT SHOWN | 91685     | 1     | FLASHER, LED SOLID STATE   |
| NOT SHOWN | 85104     | 2     | WASHER, FLAT, 1/2  |
| NOT SHOWN | 85027     | 2     | LOCKNUT, NYLON, 1/2-13   |

| REV | DATE       | BY  |  | SHEET  |
|-----|------------|-----|--|--------|
| A   | 08/15/2016 | MPC |  | 1 OF 1 |