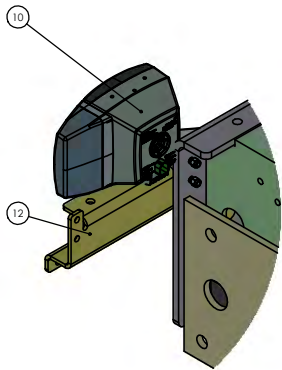
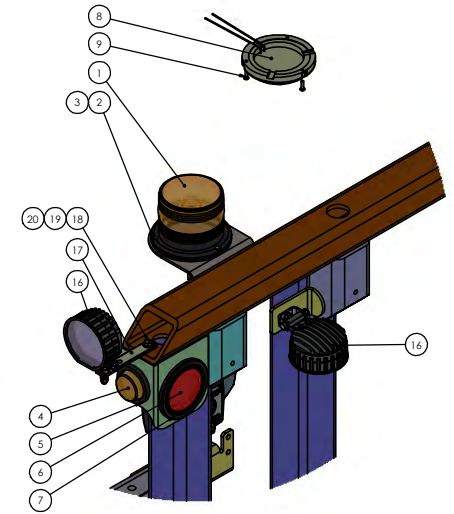
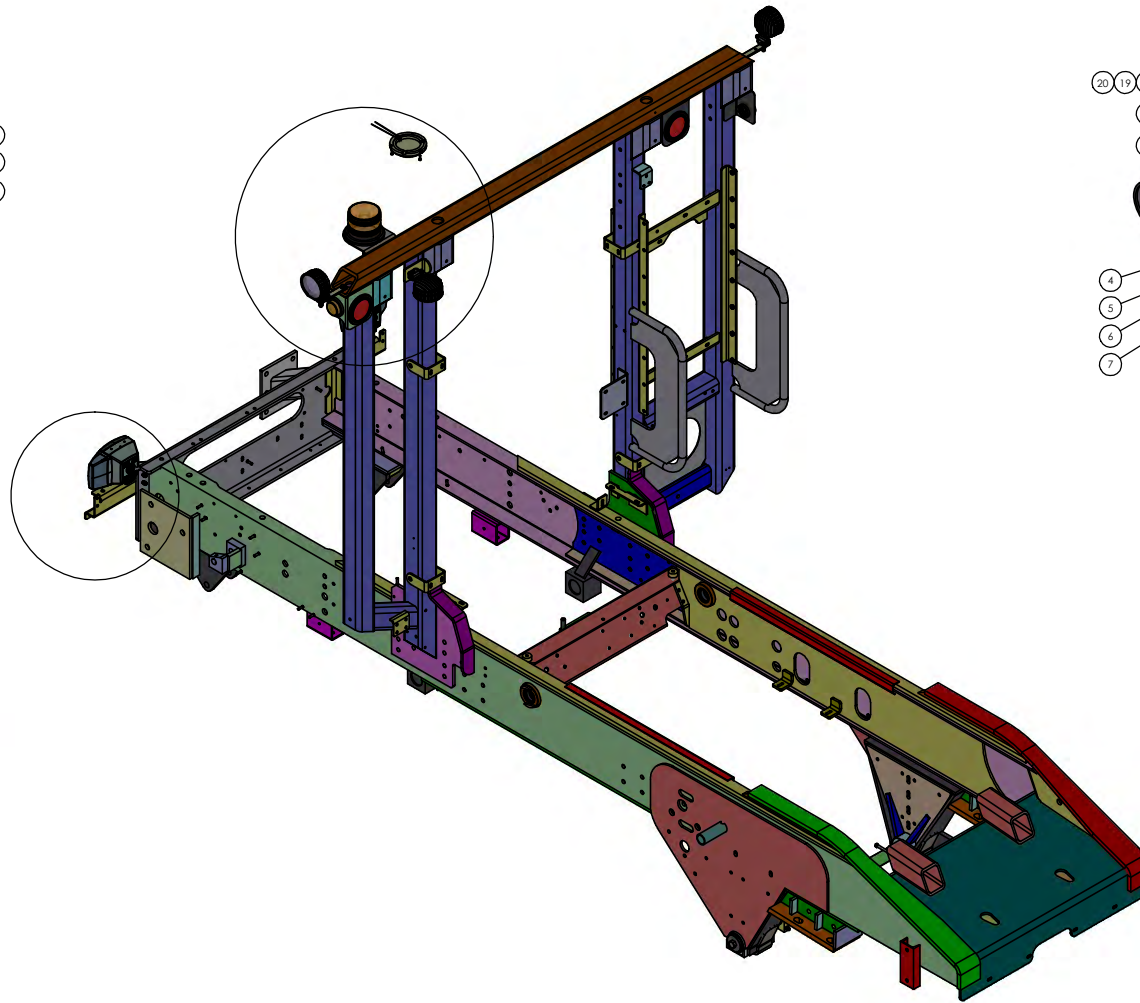


RH HEADLIGHT



LH HEADLIGHT



CAB BAR LIGHT CLUSTER

DIMENSIONS ARE IN INCHES		NAME	DATE	TICO MANUFACTURING
TOLERANCES:	DECIMAL	BRN	6/15/2020	44 CYPRESS RIDGE DR. ROCKLAND, SC 29551 TICORACTORS.COM
	.XX	0.004		
	.XXX	0.003		
	.XXX	0.002		
ANGULAR:	± 1.0°			
FUNCTIONAL:	± .002			
INSPECT GEOMETRIC TOLERANCING PER ASME Y14.5M		DO NOT SCALE DRAWING		
THE SUBJECT MATTER SHOWN AND DESCRIBED IN THIS DRAWING AND ANY OTHER INFORMATION CONTAINED HEREIN IS THE PROPERTY OF TICO MANUFACTURING AND IS TO BE USED ONLY FOR THE PURPOSES SPECIFIED HEREIN. NO OTHER REUSE, REPRODUCTION, OR DISSEMINATION OF THIS INFORMATION IS PERMITTED WITHOUT THE WRITTEN CONSENT OF TICO MANUFACTURING.		TITLE: LIGHTS AND MOUNTING		
SIZE	D	DWG. NO.	721308	REV
SCALE	1:24	WEIGHT:		A
				SHEET 1 OF 1

