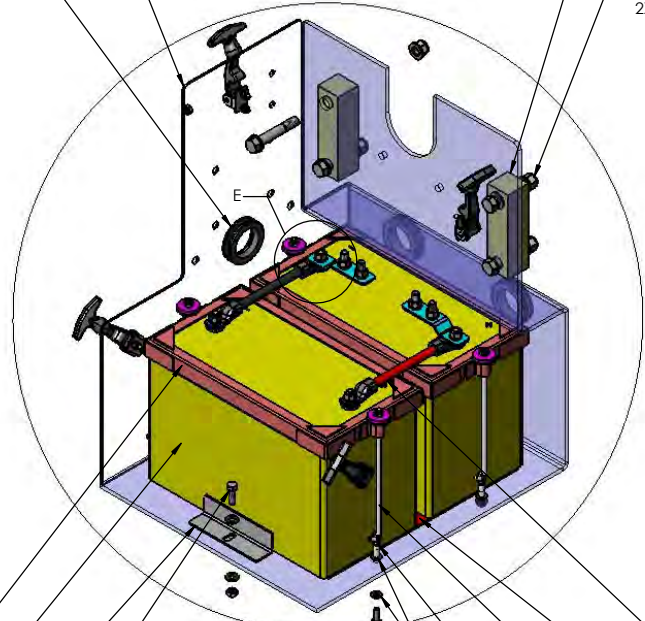


24 25 26 27
2X

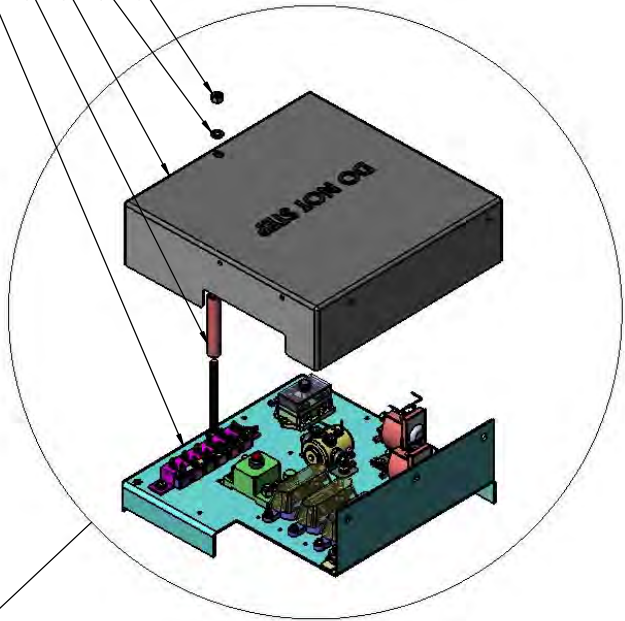


DETAIL A
SCALE 1 : 4

2 1 4 5 6 7
2X



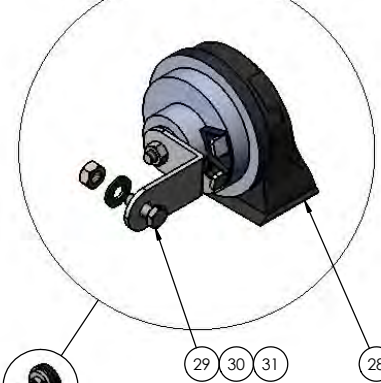
32 33 34 35 36



DETAIL C
SCALE 1 : 5

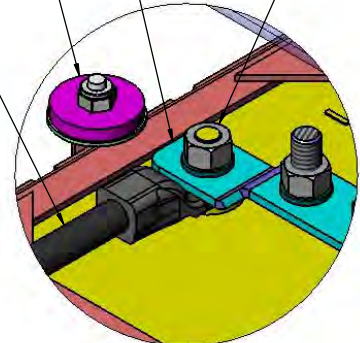
12 8 20 21 22 23
2X 19 18 17 13 3 38

DETAIL B
SCALE 1 : 5

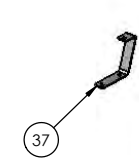


DETAIL D
SCALE 1 : 2

39 14 15 16 9 10 11



DETAIL E
SCALE 5 : 6



DIMENSIONS ARE IN INCHES		NAME	DATE	TICO/TERMINAL SERVICE 66 CYPRESS RIDGE DR. RIDGELAND, SC 29936 (843) 717-2226
TOLERANCES:		DRAWN	DFM	
DECIMAL:		REVISED	MPC	TITLE:
.XX ± 0.06		APPROVED		BATTERY & WIRING, TWO BATTERIES
.XXX ± 0.03		DO NOT SCALE DRAWING		SIZE DWG. NO.
.XXXX ± 0.005		THE SUBJECT MATTER SHOWN AND DESCRIBED IN THIS DRAWING AND ANY OTHER INFORMATION ADVANCED IN CONNECTION THEREWITH IS PROPRIETARY PROPERTY AND IS TO BE HELD IN STRICT CONFIDENCE BY YOU. ALL RIGHTS TO ANY INVENTIONS, DESIGNS, TRADE MARKS, TRADE NAMES AND COPYRIGHTS DISCLOSED ARE RESERVED TO TICO TERMINAL SERVICES, INC.		REV
ANGULAR: ± 0.5°				C 721307-B1
FRACTIONAL: ± 1/32"				SHEET 1 OF 1
INTERPRET GEOMETRIC TOLERANCING PER: ASME Y14.5M-1994				
MATERIAL				
FINISH				
THICKNESS				

TICO PRO-SPOTTER				
S/N:		ASSEMBLY, BATTERY & WIRING		721307
ITEM	PART #	QTY/M	DESCRIPTION	TASK
	721307-B1	REF	ASSEMBLY, BATTERY & WIRING	
	620544-1	REF	HARNESS, CAB BAR, 65" TO 72" DOOR	
1	20319	1	ASSEMBLY, BATTERY BOX	
	20320	1	BASE, BATTERY BOX	
	20275	1	COVER, TRIPLE BATTERY BOX	
	20030-11	2	LATCH, RUBBER	
	20030-18	2	HOLDER, RUBBER LATCH	
	20030-17	2	RUBBER LATCH	
	80196	4	BOLT, HEX HEAD, 10-32 X 1 LONG (HOLDER TO BATTERY BOX)	
	80232	4	WASHER, FLAT, #10	
	80209	4	LOCKNUT, 10-32	
2	90114	2	GROMMET, 2 OD X 1-1/2 ID X 1/8 THICK	
3	40210-2	1	MAT, RUBBER	
4	20065-5	2	SPACER	
5	82485	4	BOLT, 5/8-11 X 3-1/2 LONG (BATTERY BOX TO FRAME)	
6	85094	8	WASHER, FLAT, 5/8	
7	85028	4	LOCKNUT, NYLON, 5/8-11	
8	91814	2	BATTERY, 31 SERIES, 730 CCA, 12 VOLT	
NOT SHOWN	42292	1	MAT, RUBBER	
9	90957	2	BUSS BAR, BATTERY	
10	85091	8	WASHER, FLAT, 3/8	
11	85025	8	LOCKNUT, HEX HEAD, 3/8-16	
12	20075	2	HOLD DOWN, BATTERY	
	20012	4	ASSEMBLY, J-BOLT	
13	20012-1	4	J-BOLT, 1/4-20 X 9-1/4 LONG (BATTERY HOLD DOWN)	
14	80129	4	WASHER, FENDER, 1/4-20 X 9-1/4 LONG	
15	20012-4	6	WASHER, PLASTIC, GRAY, .25 X 1.25 X .88	
16	85023	4	LOCKNUT, NYLON, 1/4-20	
17	20077	4	COUPLING, EYE, 1/4-20	
18	85089	8	WASHER, FLAT, 1/4	
19	82381	4	BOLT, HEX HEAD, 1/4-20 X 1-1/4 LONG	
NOT SHOWN	85133	4	LOCKWASHER, 1/4	
20	12070	1	BRACKET, BATTERY STOP	
21	82371	1	BOLT, HEX HEAD, 5/16-18 X 1 LONG	
22	85090	2	WASHER, FLAT, 5/16	
23	85024	1	LOCKNUT, NYLON, 5/16-18	
REV	DATE	BY		SHEET
B	08/10/2016	MPC		1 OF 3

TICO MANUFACTURING - RIDGELAND, SC 29936

