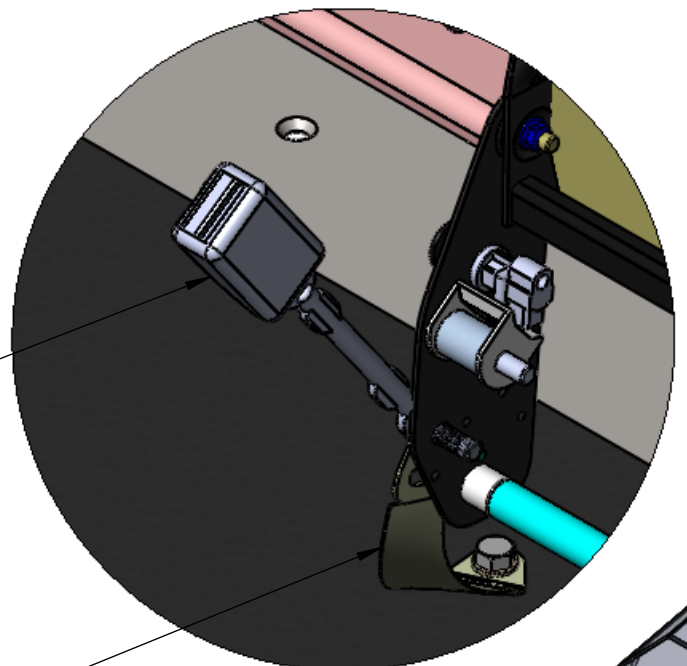


8 7 6 5 4 3 2 1

D
C
B
A

D
C
B
A

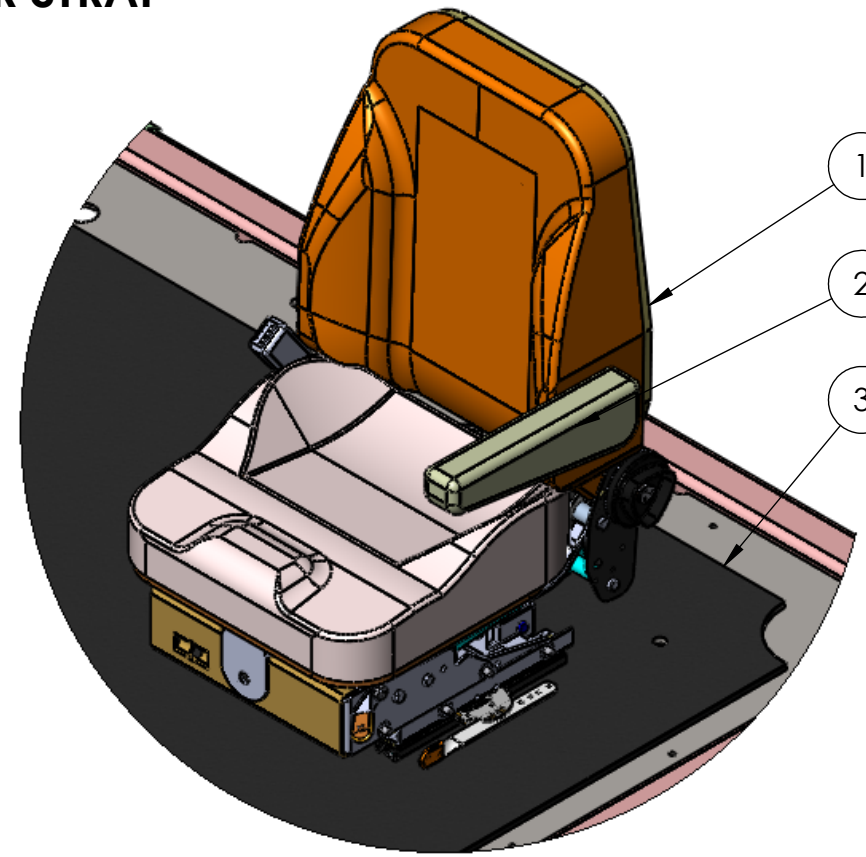
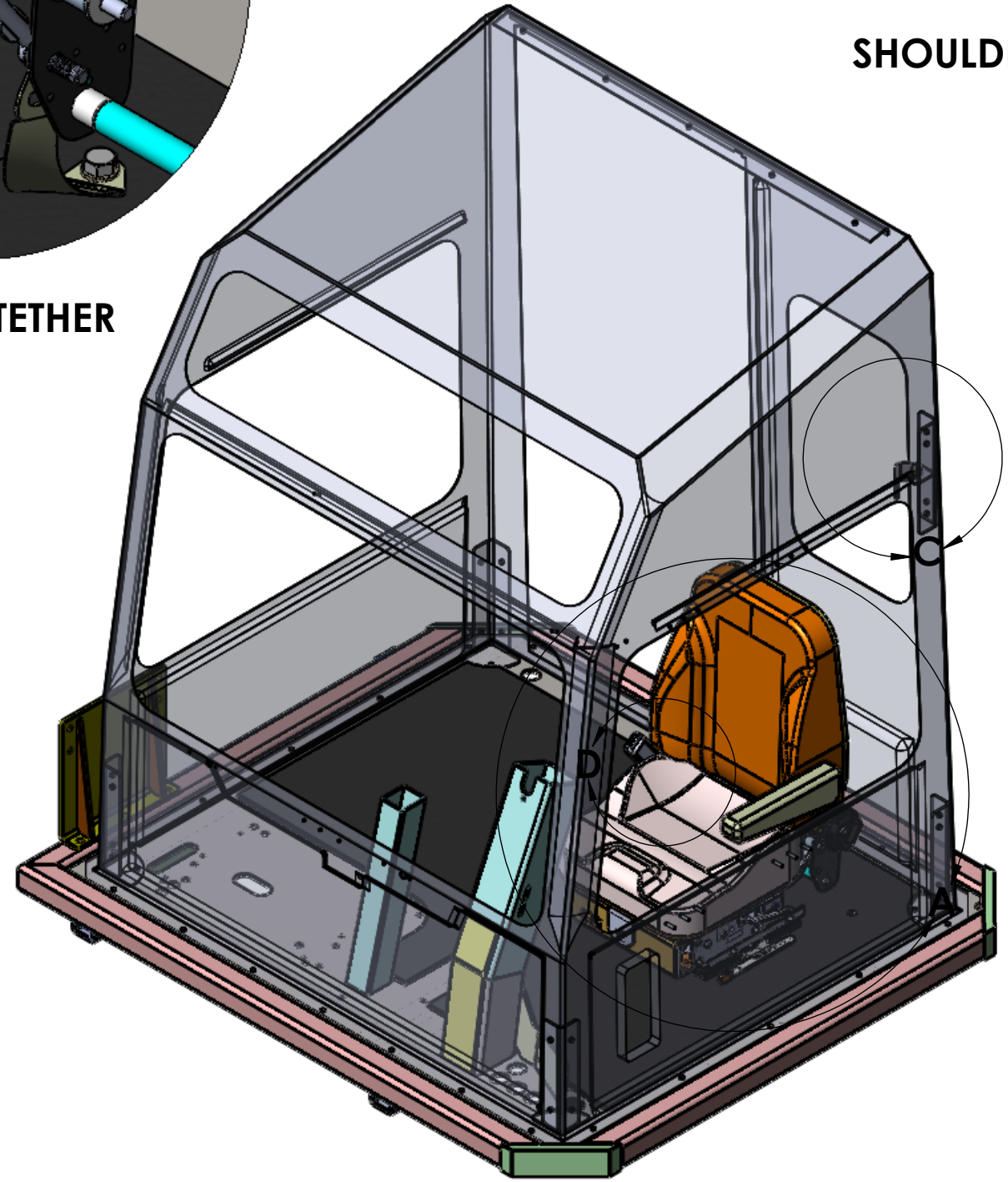
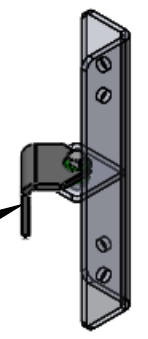


- 7
- 10
- 12
- 8
- 9
- 11 2X
- 13

SEAT BELT & TETHER

- 14
- 15
- 16
- 17
- 2X


SHOULDER STRAP



- 1
- 4
- 5
- 6
- 2X

- 2
- 3

SEAT & FLOOR

DIMENSIONS ARE IN INCHES TOLERANCES: DECIMAL: X.X ± 0.06 X.XX ± 0.03 X.XXX ± 0.005 ANGULAR: ± 0.5° FRACTIONAL ± 1/32"		NAME	DATE	 TICO MANUFACTURING 66 CYPRESS RIDGE DR. RIDGELAND, SC 29936 (843) 717-2226
MATERIAL	DRAWN	MPC	03/15/2017	
FINISH	CHECKED			
THICKNESS	APPROVED			TITLE: ASSEMBLY, SEAT, CORDURA, BLACK WITH LEFT ARM REST
DO NOT SCALE DRAWING				SIZE
THE SUBJECT MATTER SHOWN AND DESCRIBED IN THIS DRAWING AND ANY OTHER INFORMATION ADVANCED IN CONNECTION THEREWITH, IS PROPRIETARY PROPERTY AND IS TO BE HELD IN STRICT CONFIDENCE BY YOU. ALL RIGHTS TO ANY INVENTIONS, DESIGNS, TRADE MARKS, TRADE NAMES AND COPYRIGHTS DISCLOSED ARE RESERVED TO TICO TERMINAL SERVICES, INC.				DWG. NO.
				721296-B1
SCALE: 1:32		WEIGHT: 1344.14	SHEET 1 OF 1	

8 7 6 5 4 3 2 1

