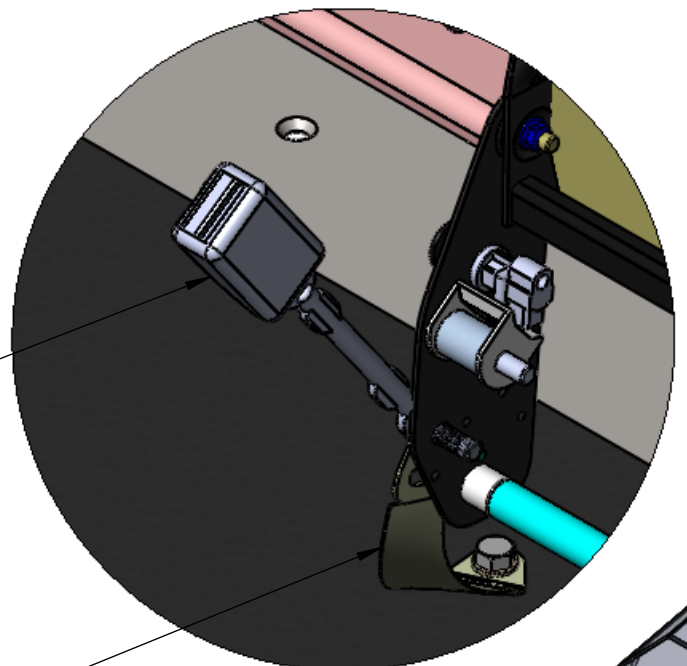


8 7 6 5 4 3 2 1

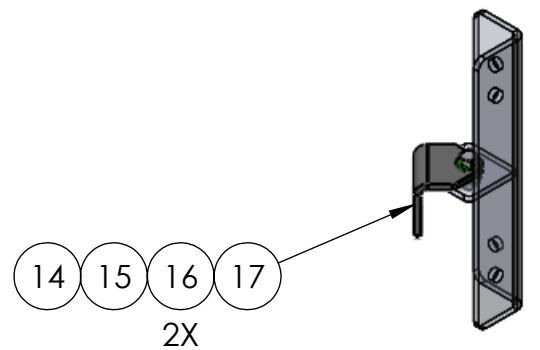
D
C
B
A

D
C
B
A



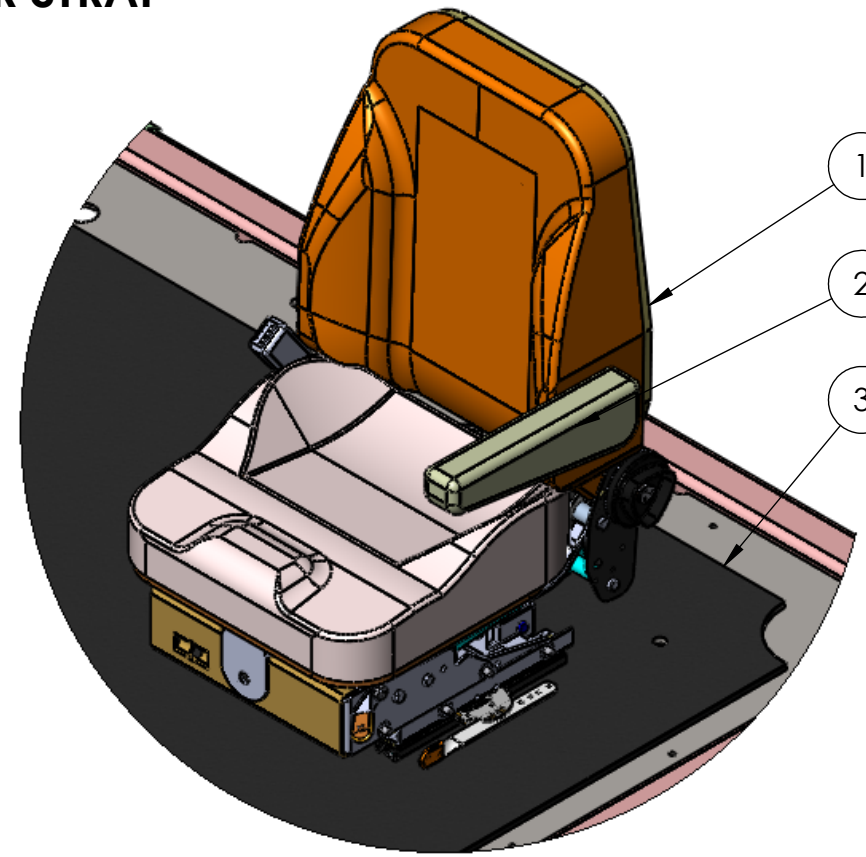
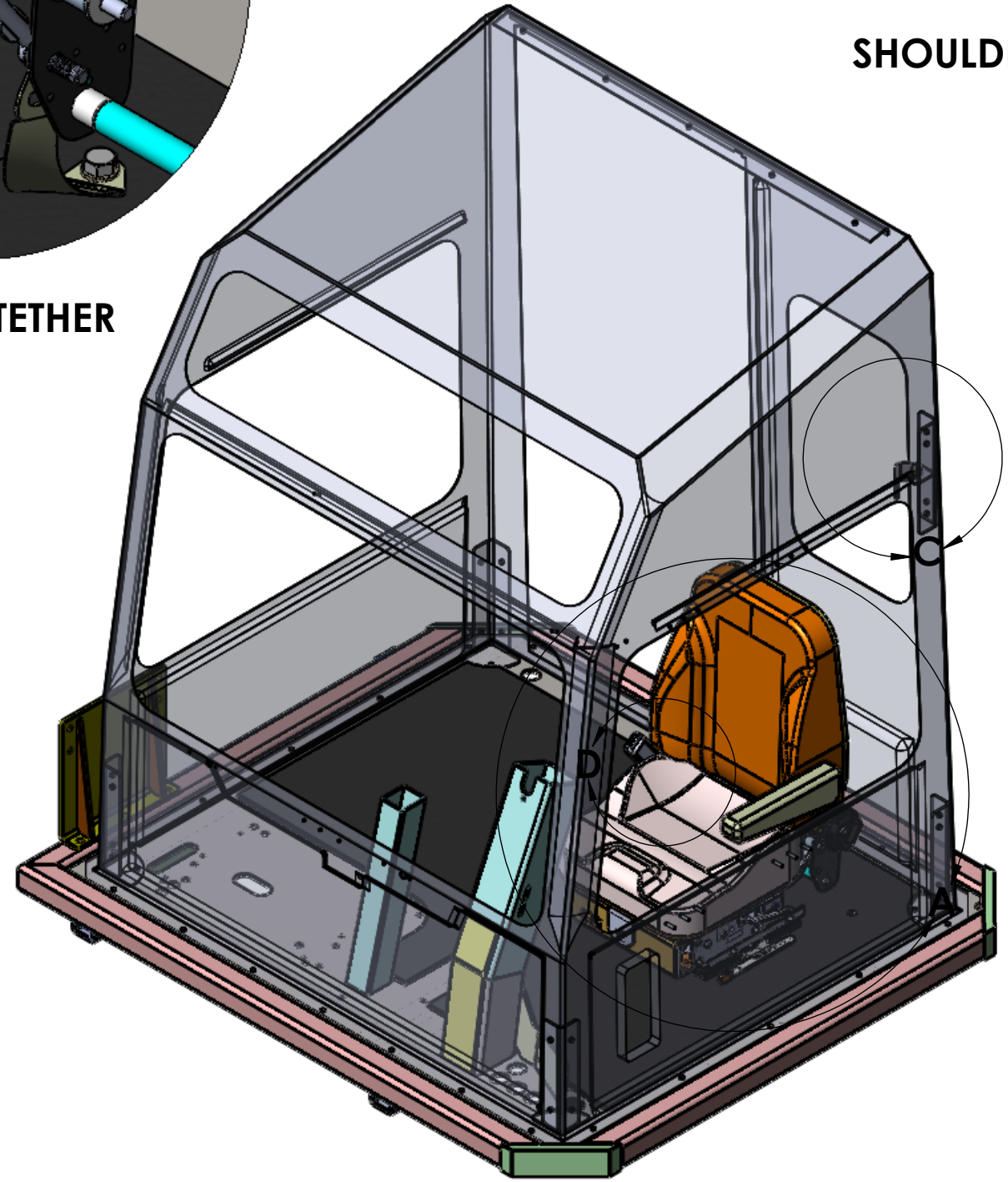
- 7
- 10
- 12
- 8
- 9
- 11 2X
- 13

SEAT BELT & TETHER



- 14
- 15
- 16
- 17
- 2X


SHOULDER STRAP



- 1
- 4
- 5
- 6
- 2X

- 2
- 3

SEAT & FLOOR

DIMENSIONS ARE IN INCHES TOLERANCES: DECIMAL: X.X ± 0.06 X.XX ± 0.03 X.XXX ± 0.005 ANGULAR: ± 0.5° FRACTIONAL ± 1/32"		NAME MPC	DATE 03/15/2017	 TICO MANUFACTURING 66 CYPRESS RIDGE DR. RIDGELAND, SC 29936 (843) 717-2226
MATERIAL		CHECKED	APPROVED	
FINISH		DO NOT SCALE DRAWING		TITLE: ASSEMBLY, SEAT, CORDURA, BLACK WITH LEFT ARM REST
THICKNESS		THE SUBJECT MATTER SHOWN AND DESCRIBED IN THIS DRAWING AND ANY OTHER INFORMATION ADVANCED IN CONNECTION THEREWITH, IS PROPRIETARY PROPERTY AND IS TO BE HELD IN STRICT CONFIDENCE BY YOU. ALL RIGHTS TO ANY INVENTIONS, DESIGNS, TRADE MARKS, TRADE NAMES AND COPYRIGHTS DISCLOSED ARE RESERVED TO TICO TERMINAL SERVICES, INC.		SIZE B
		DWG. NO. 721295-B1		REV
		SCALE: 1:32		WEIGHT: 1344.14
				SHEET 1 OF 1

8 7 6 5 4 3 2 1

