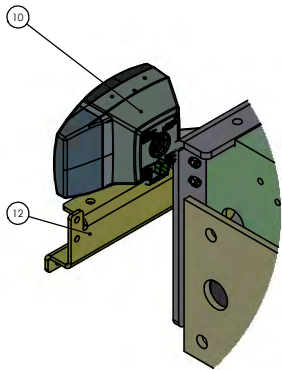
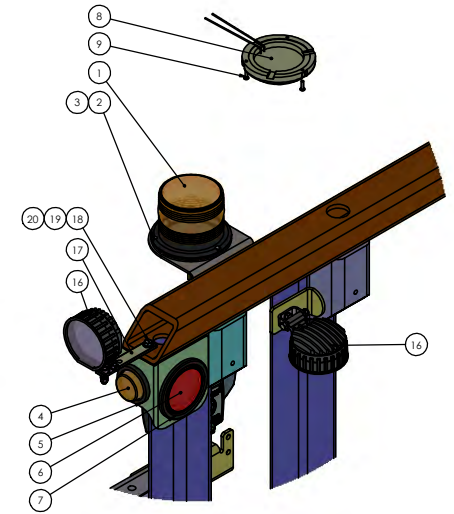
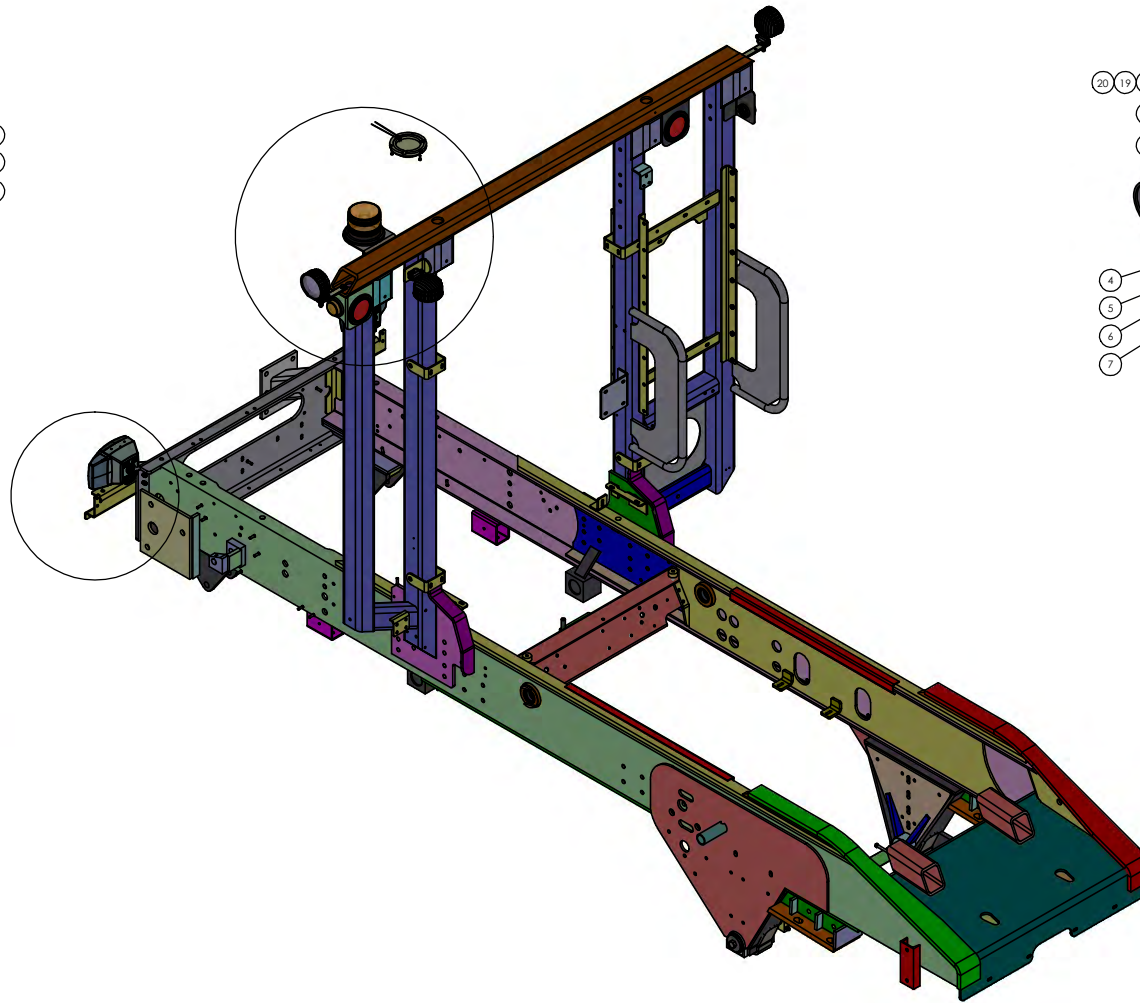


RH HEADLIGHT



LH HEADLIGHT



CAB BAR LIGHT CLUSTER

DIMENSIONS ARE IN INCHES		NAME	DATE	TICO MANUFACTURING
TOLERANCES:	DECIMAL	BBN	6/9/2020	44 CYPRESS RIDGE DR. ROCKLAND, SC 29551 TICORACTORS.COM
	.XX			
	.XXX			
	.XXX & UP			
	FRACTIONAL			
	ANGULAR			
	FRACTIONAL			
	DECIMAL			
	DO NOT SCALE DRAWING			
INSURE GEOMETRIC TOLERANCING PER ASME Y14.5M-1994		THE SUBJECT MATTER SHOWN AND DESCRIBED IN THIS DRAWING AND ANY OTHER INFORMATION CONTAINED HEREIN IS THE PROPERTY OF TICO MANUFACTURING AND IS TO BE USED ONLY FOR THE PURPOSES SPECIFIED HEREIN. NO OTHER USE, REPRODUCTION, OR DISSEMINATION OF THIS INFORMATION IS PERMITTED WITHOUT THE WRITTEN CONSENT OF TICO MANUFACTURING.		
SIZE	D	DWG. NO.	721288	REV
SCALE	1:24	WEIGHT:		A
			SHEET 1 OF 1	

