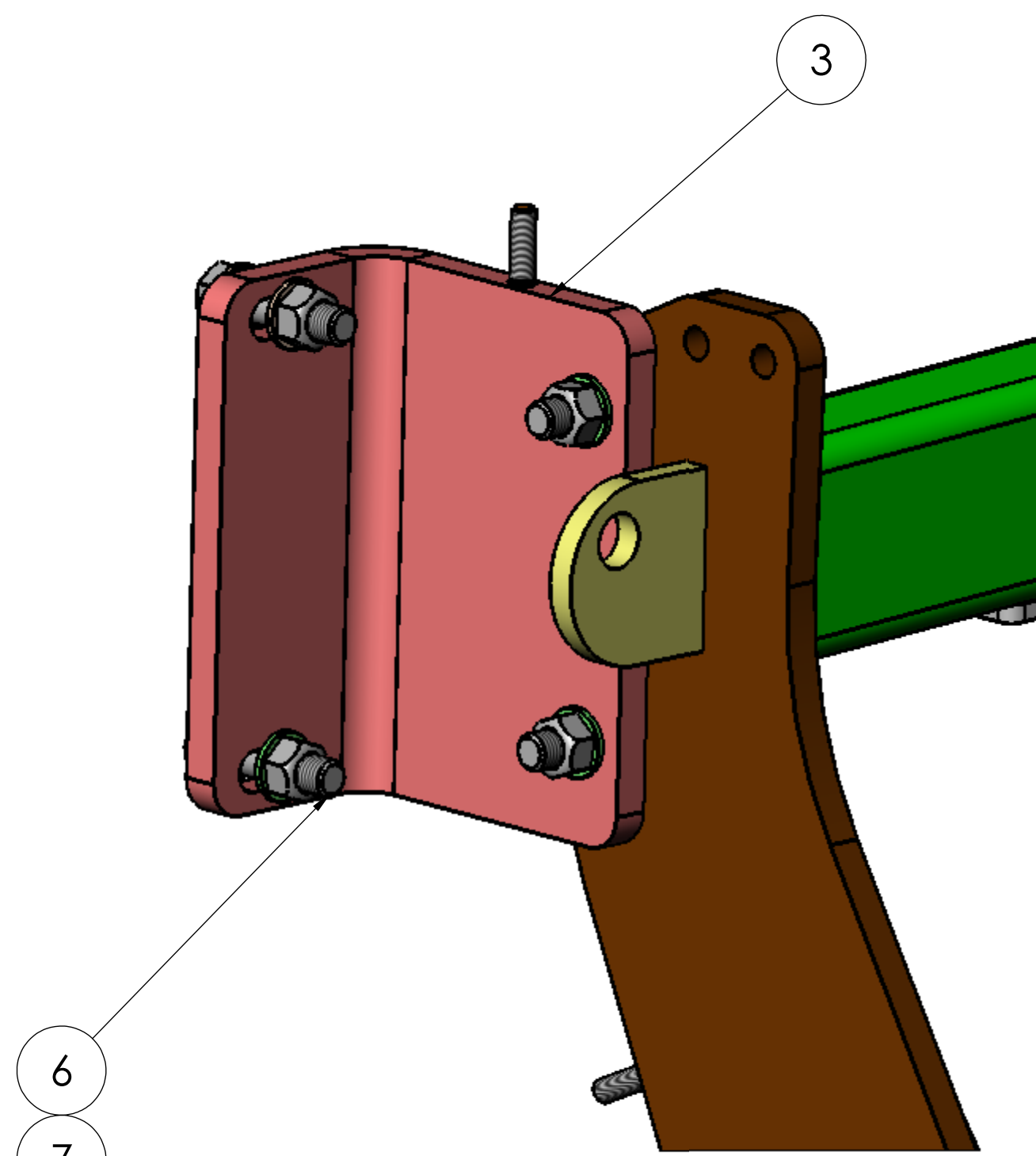


**ENGINE & TRANSMISSION**

PAGE	DESCRIPTION
1	ENGINE AND TRANSMISSION ACCELERATOR
2	ENGINE MOUNTS, AND CRADLE
3-5	PART LIST

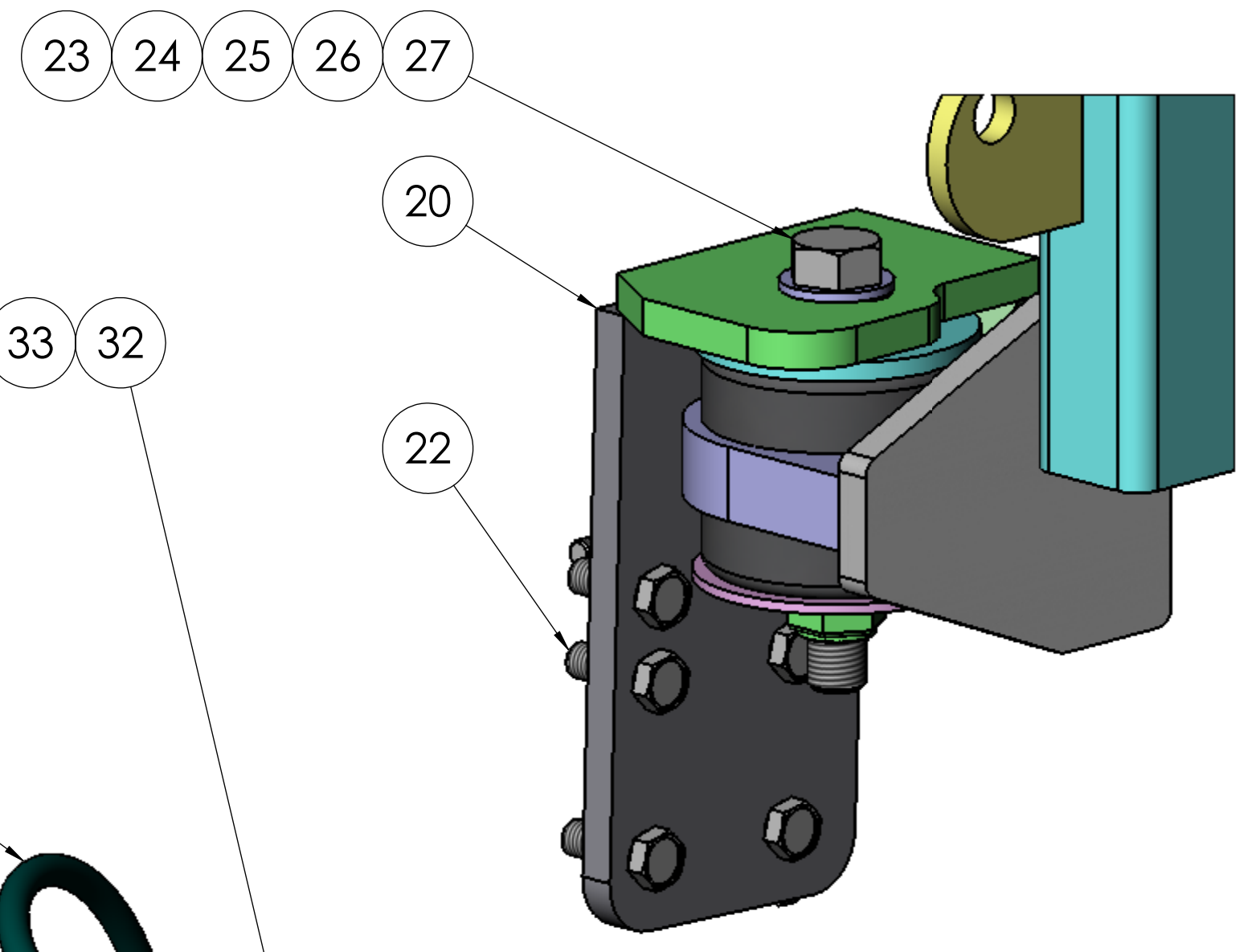
DIMENSIONS ARE IN INCHES TOLERANCES: DECIMAL: X.X ± 0.04 X.XX ± 0.03 X.XXX ± 0.005 ANGULAR: ± 0.5° FRACTIONAL: ± 1/32"		NAME: MAL DATE: 6/26/2017	 TICO/TERMINAL SERVICE 64 CYPRESS RIDGE DR. RIDGELAND, SC 29936 (843) 717-2226
INTERPRET GEOMETRIC TOLERANCING PER: ASME Y14.5M-1994		APPROVED:	
MATERIAL: N/A		DO NOT SCALE DRAWING	
FINISH: SEE NOTE		THE SUBJECT MATTER SHOWN AND DESCRIBED IN THIS DRAWING AND ANY OTHER INFORMATION ADVANCED IN CONNECTION THEREWITH IS PROPRIETARY PROPERTY AND IS TO BE HELD IN STRICT CONFIDENCE BY YOU. ALL RIGHTS TO ANY INVENTIONS, DESIGNS, TRADE MARKS, TRADE NAMES AND COPYRIGHTS DISCLOSED ARE RESERVED TO TICO/TERMINAL SERVICES, INC.	
THICKNESS: N/A		TITLE: ENGINE & TRANSMISSION SIZE: D DWG. NO. 721277-A1 REV SCALE: 1:16 WEIGHT: 4116.56 SHEET 1 OF 2	

REV 721277-A1



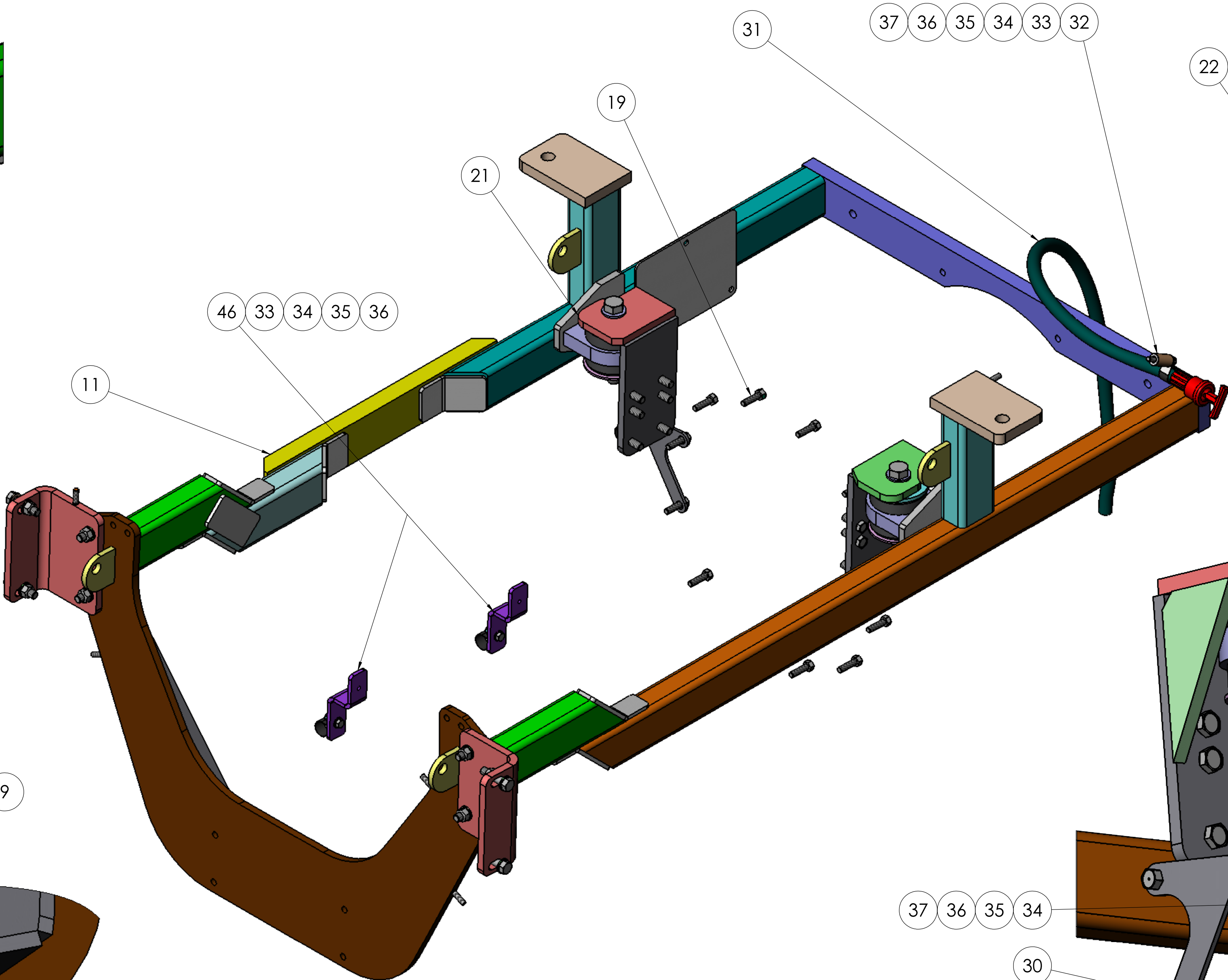
- 6
- 7
- 8

**FRONT ENGINE-FRAME MOUNT**



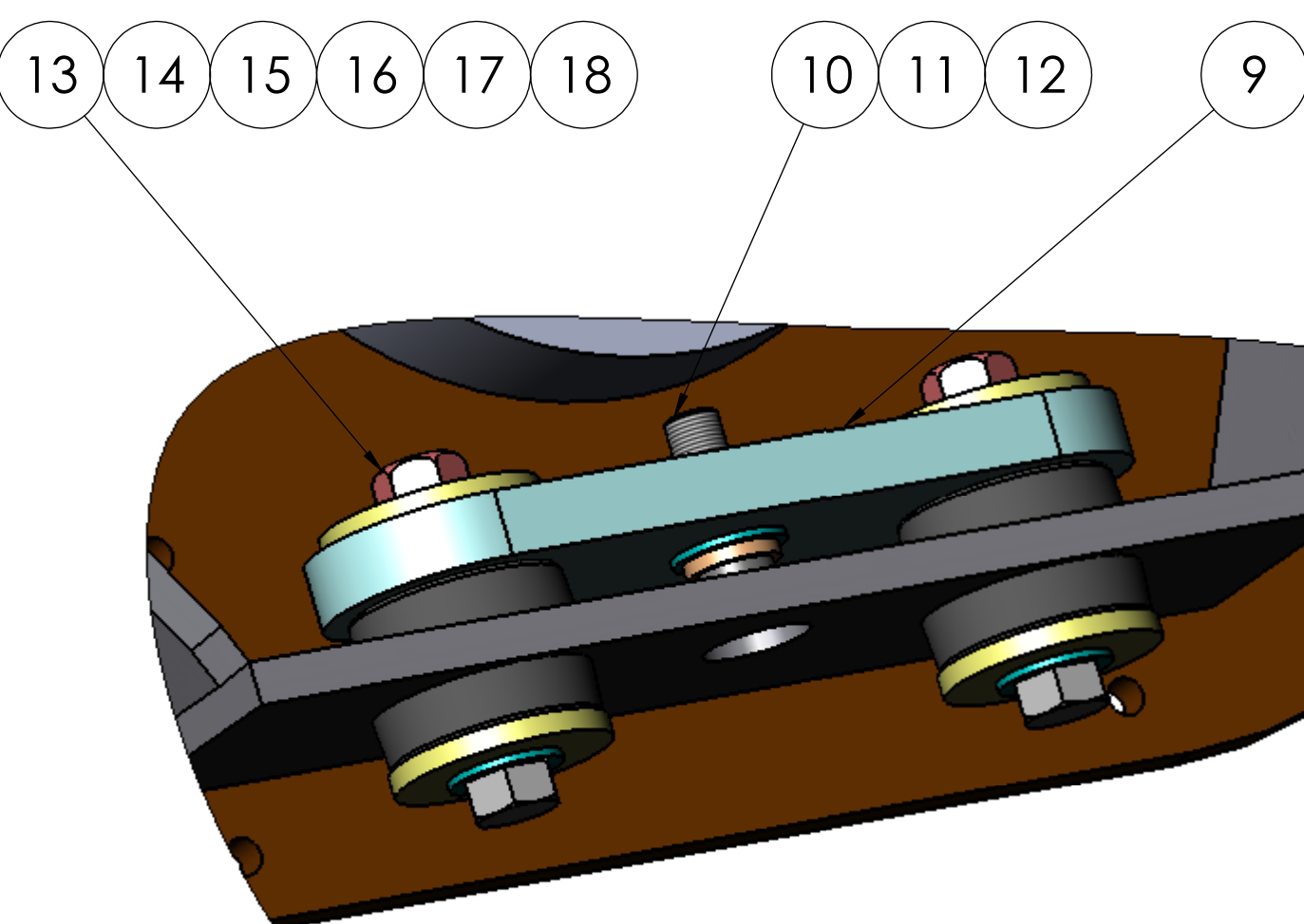
- 23
- 24
- 25
- 26
- 27

**LH REAR ENGINE MOUNT**



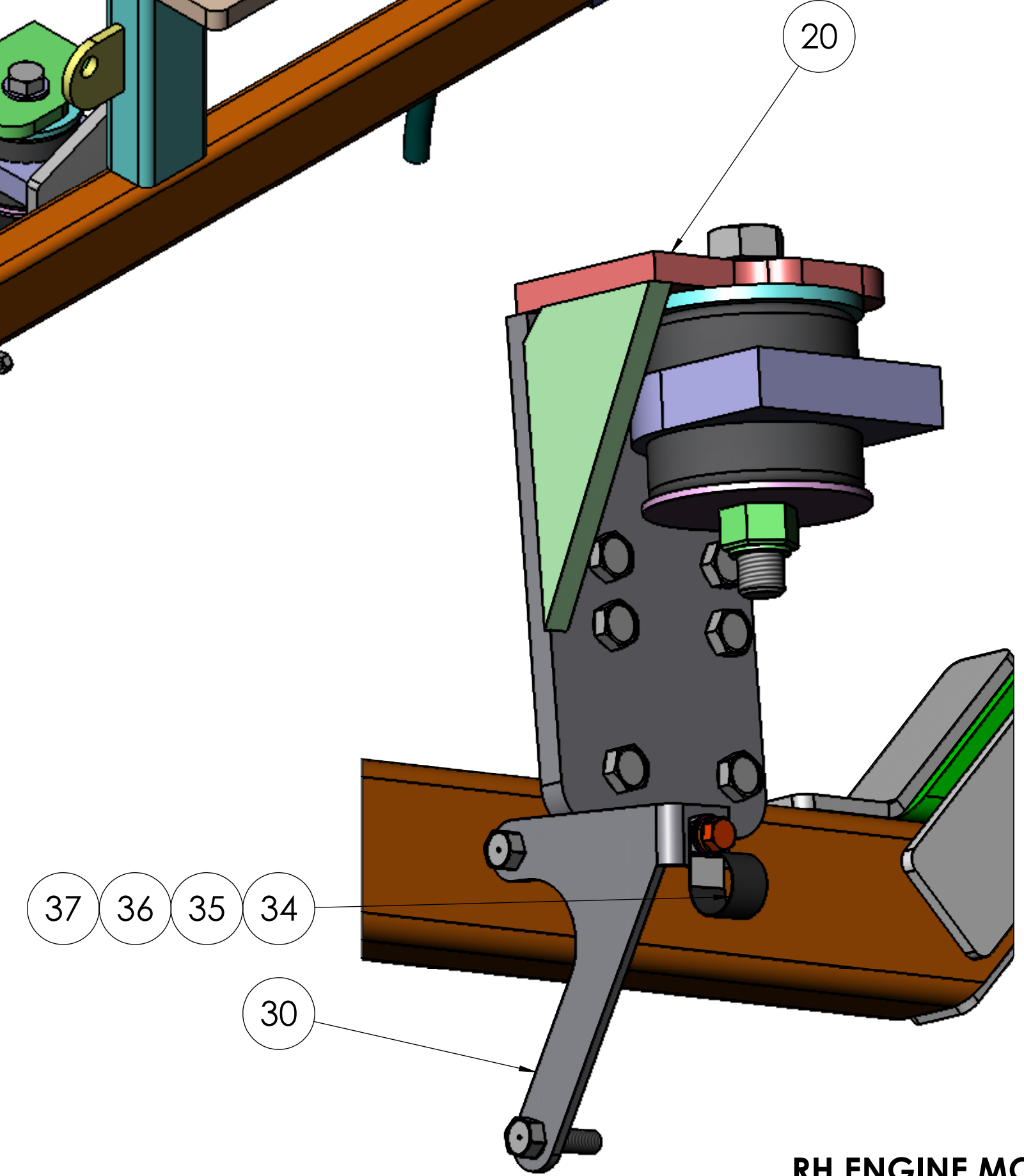
- 46
- 33
- 34
- 35
- 36

- 37
- 36
- 35
- 34
- 33
- 32



- 13
- 14
- 15
- 16
- 17
- 18
- 10
- 11
- 12
- 9

**FRONT MOTOR MOUNT**



- 37
- 36
- 35
- 34

- 30

**RH ENGINE MOUNT**

DIMENSIONS ARE IN INCHES		NAME	DATE	TICO MANUFACTURING 44 CYPRESS RIDGE DR. RIDGELAND, SC 29936 (843) 717-2226	
TOLERANCES:		DRAWN	MAL		6/26/2017
DECIMAL:		CHECKED			
X.X ± 0.04		APPROVED			
X.XX ± 0.03		DO NOT SCALE DRAWING		TITLE: ENGINE & TRANSMISSION	
X.XXX ± 0.005		THE SUBJECT MATTER SHOWN AND DESCRIBED IN THIS DRAWING AND ANY OTHER INFORMATION ADVANCED IN CONNECTION HERewith IS PROPRIETARY PROPERTY AND IS TO BE HELD IN STRICT CONFIDENCE BY YOU. ALL RIGHTS TO ANY INVENTIONS, DESIGNS, TRADE MARKS, TRADE NAMES AND COPYRIGHTS DISCLOSED ARE RESERVED TO TICO TERMINAL SERVICES, INC.		SIZE DWG. NO. 721277-A1	
ANGULAR: ± 0.5°				REV	
FRACTIONAL: ± 1/32"				SCALE: 1:16 WEIGHT: 4116.56 SHEET 2 OF 2	
MATERIAL: N/A					
FINISH: SEE NOTE					
THICKNESS: N/A					

REV 721277-A1

TICO PRO-SPOTTER				
ENGINE & TRANSMISSION, 2016-ISB, 200 HP/RDS3000 GEN V				721277
ITEM	PART #	QTY/M	DESCRIPTION	
	721277-A1	REF	ENGINE & TRANSMISSION, 2016-ISB, 200 HP/RDS3000 GEN V	
1	620542	1	ENGINE-CUMMINS 2016-ISB, 200 HP@ 2600RPM, BLK HTR, DELCO STARTER/ALT,W-AC	
2	60799-13	1	TRANSMISSION-RDS 3000 (ALLISON E021013)TC-411	
NOT SHOWN	620595	1	TCM-1st-3rd, 2400/2800 RPM, GEN V	
NOT SHOWN	62192	1	SHIFTER-TRANSMISSION PUSH BUTTON GEN V	
3	61572-5	1	MOUNT-FRONT ENGINE-FRAME	
4	61572-9	1	BRACKET, FRONT ENGINE MOUNT	
5	62115	1	ENGINE CRADLE, ISB	
6	82418	8	BOLT, HEX 1/2-13 X 2 LG - FRONT MOUNTS	
7	85038	8	NUTLOCK, 1/2-13	
8	85093	16	WASHER, FLAT 1/2-13	
9	60809	1	MOUNTING PLATE FRONT ENGINE MOUNT	
10	80342	1	BOLT-DRILLED HEAD-M16 x 2 x 45mm, 10.9 SHCS	
11	85094	1	WASHER, FLAT 5/8-11	
12	85138	1	LOCKWASHER, 5/8-11	
13	60814	4	ISOLATOR, FRONT ENGINE MOUNT DUAL SYSTEM	
14	60113	2	WASHER, BOOM	
15	10971	2	SPACER FRONT MOTOR MOUNT	
16	82474	2	BOLT, HEX 5/8-11 x 3 1/4" LG	
17	85094	2	WASHER, FLAT 5/8-11	
18	85039	2	LOCKNUT, 5/8-11	
NOT SHOWN	60799-6	6	BOLT-FLEX PLATE/TORQUE CONV	
19	60799-12	1	TRANS MOUNTING KIT	
20	60981	1	MOUNT-REAR ENGINE LH	
21	60982	1	MOUNT-REAR ENGINE RH	
22	80240	12	BOLT-M12 x 1.5 x 35mm, HEX HD , 10.9	
23	61678	2	ISOLATOR-REAR ENGINE	
24	61677-8	2	SPACER-BOLT	
25	60740	2	WASHER-3/4, REAR ENGINE MOUNT	
26	85095	2	WASHER, FLAT 3/4	
27	60740-1	2	WASHER-3/4, REAR ENGINE MOUNT	
<b>REV</b>	<b>DATE</b>	<b>BY</b>		<b>SHEET</b>
A	6/26/2017	MAL		1 OF 3

TICO PRO-SPOTTER				
ENGINE & TRANSMISSION, 2016-ISB, 200 HP/RDS3000 GEN V				721277
ITEM	PART #	QTY/M	DESCRIPTION	
28	82574	2	BOLT-3/4-10UNC x 5 1/2 LG HEX HD	
29	85029	1	NUT-3/4-10UNC NYLK	
30	90910	1	BRACKET-BATTERY CABLE SUPPORT	
31	61574	1	DIPSTICK-TRANSMISSION RDS	
32	12091	1	SPACER	
33	82382	3	BOLT, HEX 5/16-18 x 2 1/4 Lg	
34	85112	8	WASHER, FLAT 5/16	
35	85134	2	LOCKWASHER 5/16	
36	40593	4	P-CLAMP	
NOT SHOWN	80349	1	STUD, 5/16-18 X 1"LG WELD	
37	85035	1	LOCKNUT 5/16	
NOT SHOWN	62037	1	SENSOR-AMBIENT AIR 2013-ISB	
NOT SHOWN	62044	1	BRACKET-SENSOR MOUNT	
NOT SHOWN	60061	1	PRESSURE STAT 10 Lbs	
NOT SHOWN	40467	1	FITTING, TEE STREET, 1/8 NPT	
NOT SHOWN	91068	1	SENSOR-OIL PRESS GAUGE	
NOT SHOWN	91069	1	SENSOR-WATER TEMP GAUGE	
NOT SHOWN	12091	1	SPACER-DIPSTICK	
NOT SHOWN	62412	1	HARNESS-ENGINE 2015-ISB	
NOT SHOWN	620555-1	1	HARNESS- TRANS ALLISON GEN V-W/ABS, 500K DATA, BRAID	
NOT SHOWN	91222	1	CABLE 2 GA BLACK ALT TO STARTER 33"	
NOT SHOWN	91221	1	CABLE 2 GA RED ALT TO STARTER 38"	
NOT SHOWN	91171	1	WIRE ASSY-AIR INTAKE HEATER	
NOT SHOWN	91232	1	WIRE ASS'Y-ECM GRD/BATT	
NOT SHOWN	61704	1	BRACKET-STANDOFF	
38	61640	1	PEDAL ACCELERATOR - ELECTRONIC ISB	
39	90632	1	MOUNTING PLATE ELECTRIC THROTTLE	
40	83318	1	SC HC SCREW 3/8-16 x 3 1/2" Lg	
41	85113	2	WASHER, FLAT 3/8	
42	85036	2	LOCKNUT, 3/8-16	
43	85090	2	WASHER, FLAT 5/16	
44	85035	2	LOCKNUT 5/16	
45	83340	1	SC HC SCREW 3/8-16 x 4" Lg	
REV	DATE	BY		SHEET
A	6/20/2017	MAL		2 OF 3

