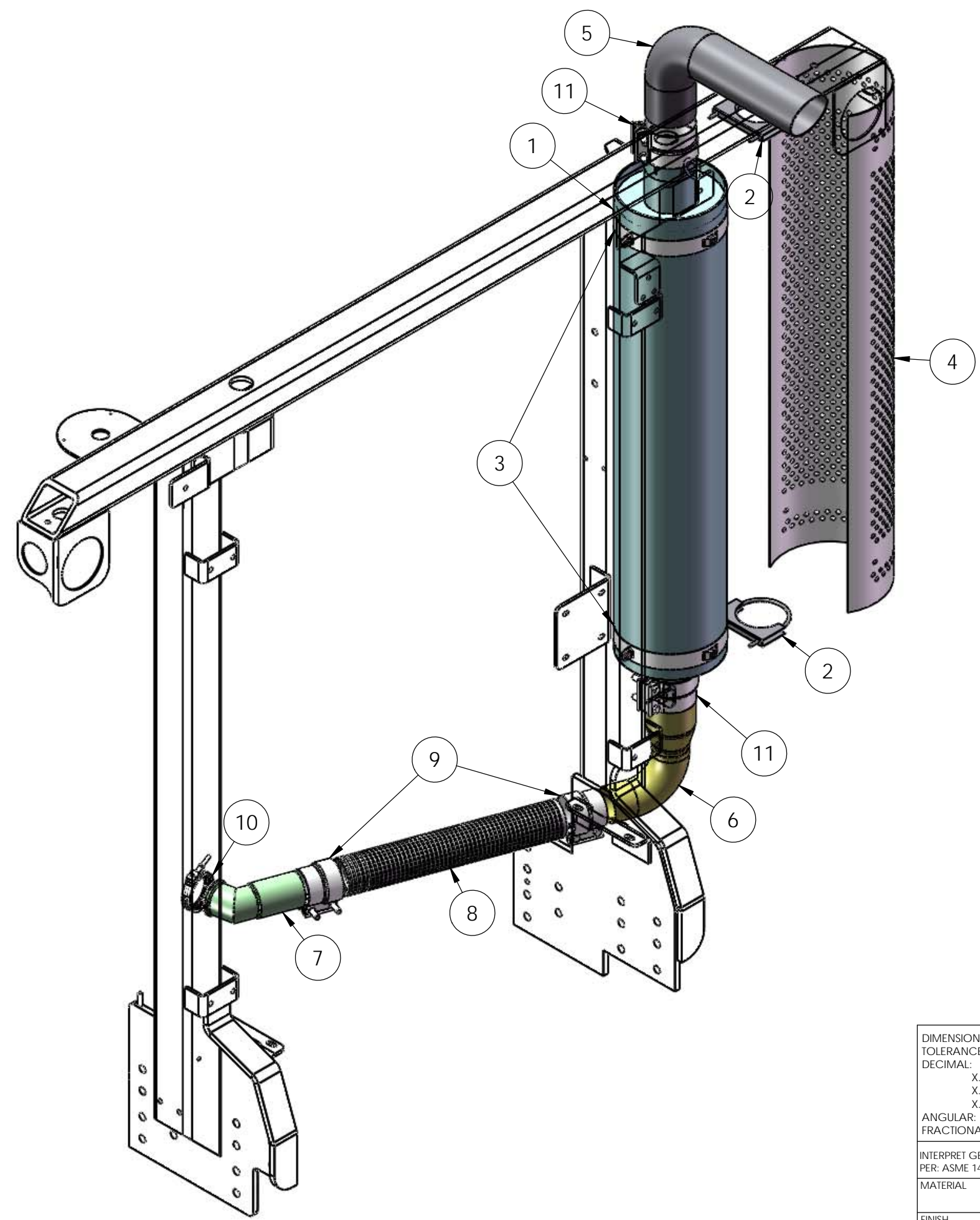



8 7 6 5 4 3 2 1

D  
C  
B  
A

D  
C  
B  
A



DIMENSIONS ARE IN INCHES TOLERANCES: DECIMAL: X.X ± 0.06 X.XX ± 0.03 X.XXX ± 0.005 ANGULAR: ± 0.5° FRACTIONAL ± 1/32"		NAME	DATE	 TICO/TERMINAL SERVICE 66 CYPRESS RIDGE DR. RIDGELAND, SC 29936 (843) 717-2226			
	DRAWN	LP	09/04/12				
	CHECKED						
	APPROVED						
INTERPRET GEOMETRIC TOLERANCING PER: ASME 14.5M-1994	DO NOT SCALE DRAWING			TITLE:			
MATERIAL				EXHAUST SYSTEM			
FINISH N/A				<table border="1"> <tr> <td>SIZE <b>B</b></td> <td>DWG. NO. 72124-B1</td> <td>REV <b>A</b></td> </tr> </table>	SIZE <b>B</b>	DWG. NO. 72124-B1	REV <b>A</b>
SIZE <b>B</b>	DWG. NO. 72124-B1	REV <b>A</b>					
THICKNESS				<table border="1"> <tr> <td>SCALE: 1:32</td> <td>WEIGHT: 490.49</td> <td>SHEET 1 OF 1</td> </tr> </table>	SCALE: 1:32	WEIGHT: 490.49	SHEET 1 OF 1
SCALE: 1:32	WEIGHT: 490.49	SHEET 1 OF 1					

8 7 6 5 4 3 2 1

