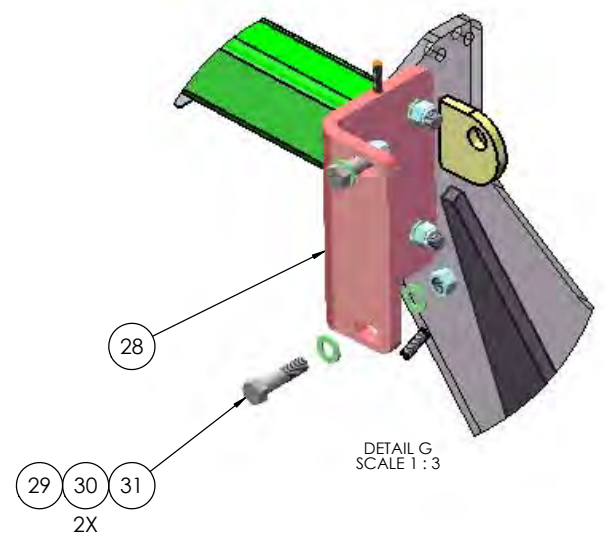
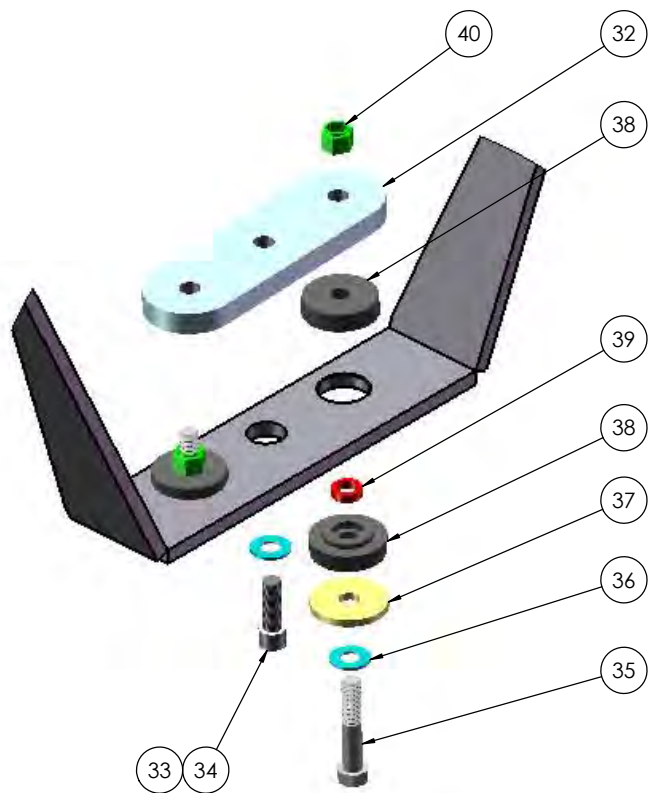


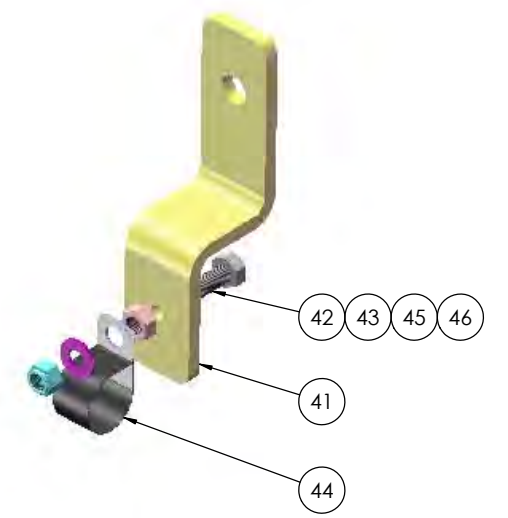
DETAIL D
SCALE 2:3



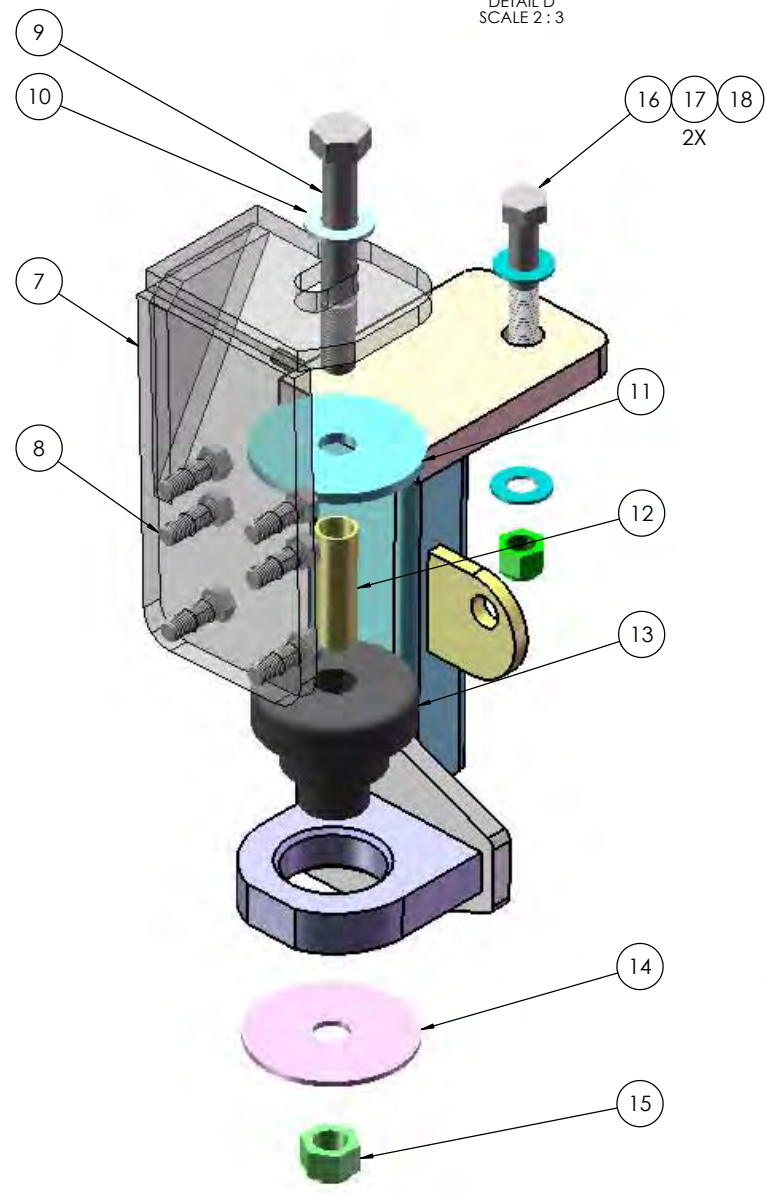
DETAIL G
SCALE 1:3



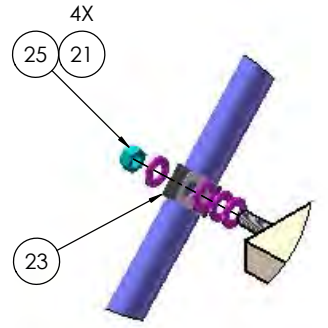
DETAIL H
SCALE 1:3



DETAIL I
SCALE 2:3



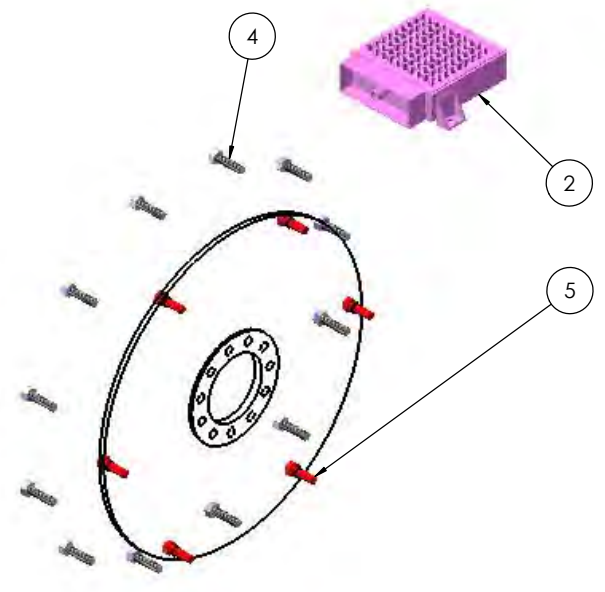
DETAIL C
SCALE 1:2



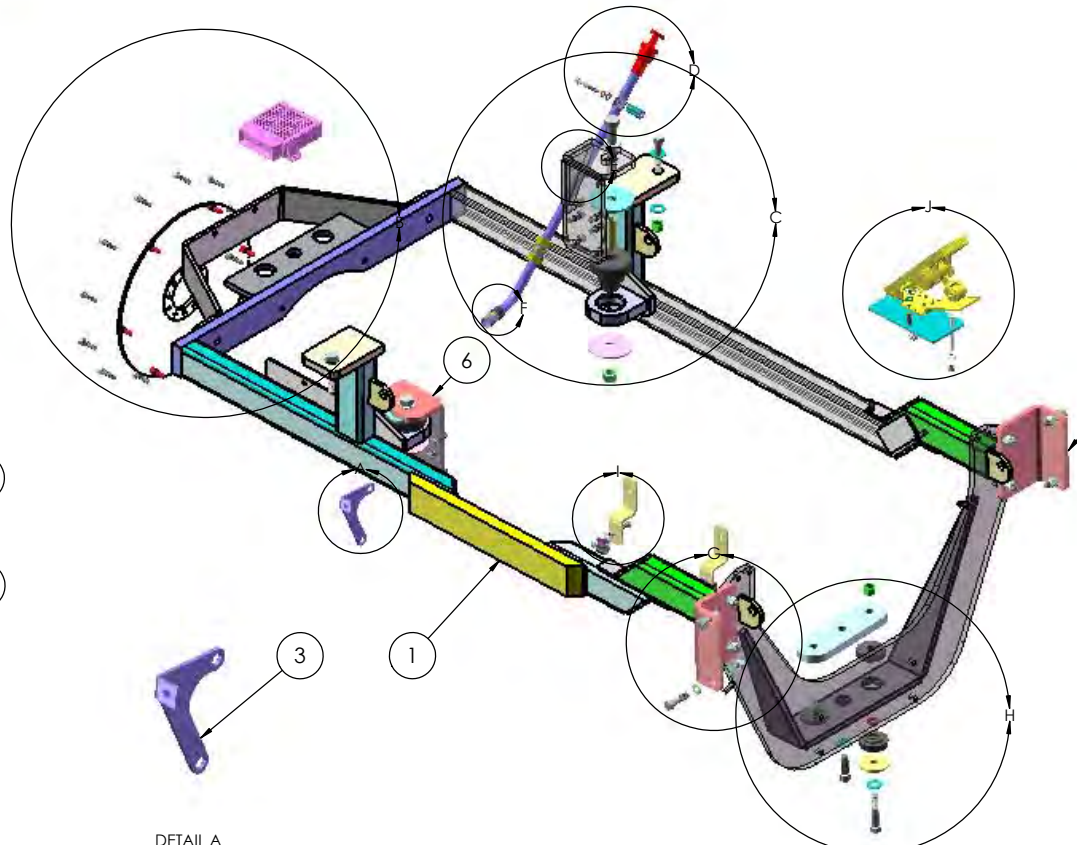
DETAIL E
SCALE 1:2



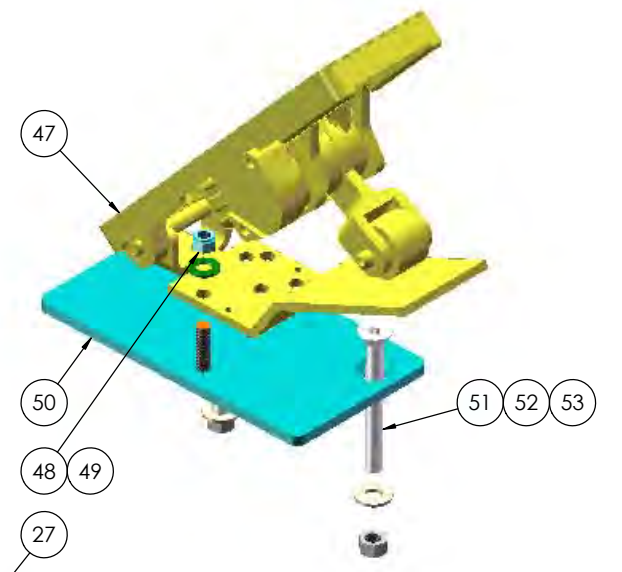
DETAIL F
SCALE 1:3



DETAIL B
SCALE 1:4



DETAIL A
SCALE 1:4



DETAIL J
SCALE 1:2

NOTE: ENGINE & TRANSMISSION NOT SHOWN FOR CLARITY

DIMENSIONS ARE IN INCHES TOLERANCES: DECIMAL: XX ± 0.04 XXX ± 0.03 XXXX ± 0.005 ANGULAR: FRACTIONAL: ± 0.5° ± 1/32"		NAME: SWB DATE: 09/12/2014 REVISED: MPC APPROVED: 07/29/2016	TICO/TERRA SERVICE 44 CYPRESS RIDGE DR. RIDGELAND, SC 29936 (843) 717-2226
INTERPRET GEOMETRIC TOLERANCING PER: ASME Y14.5M-1994		DO NOT SCALE DRAWING	
THE SUBJECT MATTER SHOWN AND DESCRIBED IN THIS DRAWING AND ANY OTHER INFORMATION ADVANCED IN CONNECTION THEREWITH IS PROPRIETARY PROPERTY AND IS TO BE HELD IN STRICT CONFIDENCE BY YOU. ALL RIGHTS TO ANY INVENTIONS, DESIGNS, TRADE MARKS, TRADE NAMES AND COPYRIGHTS DISCLOSED ARE RESERVED TO TICO/TERRA SERVICES, INC.		TITLE: ASSEMBLY, ENGINE & TRANSMISSION QSB IVI	
FINISH:	SIZE: D	DWG. NO.: 721236-B1	REV
THICKNESS:			SHEET 1 OF 1

