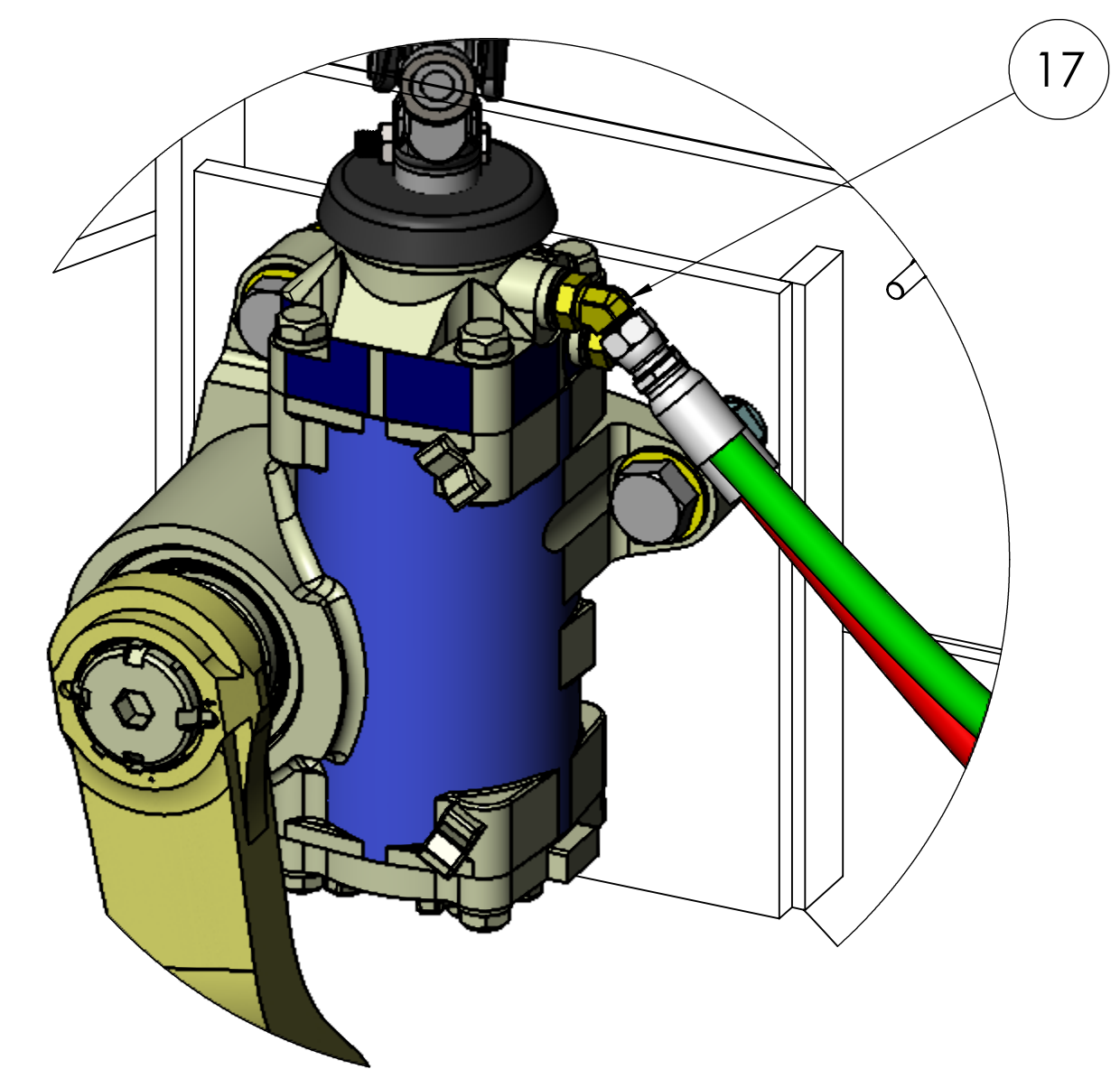


- 1
- 2
- 3
- 4
- 5
- 6
- 7
- 8
- 9
- 10
- 11
- 12
- 13
- 14



18

DIMENSIONS ARE IN INCHES TOLERANCES: DECIMAL: X.X ± 0.04 X.XX ± 0.03 X.XXX ± 0.005 ANGULAR: ± 0.5° FRACTIONAL: ± 1/32"		NAME: MAL DATE: 2/5/2018	TICO MANUFACTURING 44 CYPRESS RIDGE DR. RIDGELAND, SC 29936 (843) 717-2226
MATERIAL: N/A FINISH: SEE NOTE THICKNESS: N/A		CHECKED: APPROVED: DO NOT SCALE DRAWING	TICO
THE SUBJECT MATTER SHOWN AND DESCRIBED IN THIS DRAWING AND ANY OTHER INFORMATION ADVANCED IN CONNECTION THEREWITH IS PROPRIETARY PROPERTY AND IS TO BE HELD IN STRICT CONFIDENCE BY YOU. ALL RIGHTS TO ANY INVENTIONS, DESIGNS, TRADE MARKS, TRADE NAMES AND COPYRIGHTS DISCLOSED ARE RESERVED TO TICO TERMINAL SERVICES, INC.		REV: D	TITLE: STEERING SYSTEM, 2017 TRW TILT COLUMN W/BRAKE VALVE
SCALE: 1:32 WEIGHT: 5623.61 SHEET 1 OF 1		SIZE: DWG. NO. 721235-D1	REV: D

REV: 721235-D1

TICO PRO-SPOTTER				
STEERING SYSTEM, 2017, TRW TILT COLUMN W/BRAKE VALVE				721235
ITEM	PART #	QTY/M	DESCRIPTION	
	721235-D1	REF	STEERING SYSTEM, 2017, TRW TILT COLUMN W/BRAKE VALVE	
1	121456	1	WHEEL, 13/16-40 SERRATIONS 18" DIA VIP STEERING	
NOT SHOWN	300405	1	NUT, 3/4-20 UNEF-2A THD WHEEL	
2	40566	1	BUTTON, HORN	
NOT SHOWN	80295	2	SCREW, 10-32 X 1/2" LG	
NOT SHOWN	80232	2	WASHER, FLAT #10	
NOT SHOWN	80234	2	LOCKWASHER, # 10	
3	300404	1	COLUMN, TRW TILT W/O HAND BRAKE STEERING	
4	82361	4	BOLT, 3/8-16 UNC X 3/4" LG GRD 8 HEX	
5	85091	4	WASHER, 3/8" HRDN FLAT	
6	300392	1	SHAFT ASSEMBLY, 2017 CAB STEERING	
7	122624	1	BOOT, STEERING COLUMN, 2017-III CAB, W/BUSHING	
8	122034	1	PLATE, BOOT CLAMP (2017-II)	
9	30222	1	STEERING GEAR - SHEPPARD M100	
10	82476	3	BOLT, 7/8-9 UNC X 3-1/4" LG	
11	85118	6	WASHER, 7/8" FLAT	
12	85030	3	NUT, 7/8-9 UNC NYLOK	
NOT SHOWN	82487	2	BOLT, 7/8-9 UNC X 3-1/2" LG	
13	91554	1	DRAGLINK	
14	80148	2	COTTER PIN, 1/8"	
15	41250	1	HOSE ASSY- H24508 x 140 1/4 OAL GEAR to RESERVOIR	
16	40802	1	HOSE ASSY-H24508 X 46 1/4 LG PUMP to STEERG GEAR	
NOT SHOWN	42006	REF	STR ADAPTER @ PUMP - 1/2" ORB TO 1/2" JIC	
17	40477	2	ELBOW 45 DEG @ STEER GEAR 1/2 ORB TO 1/2 JIC	
18	40460	1	FITTING, ELBOW, 90 Deg 1/2 ORB to 1/2 JIC	
NOT SHOWN	12469	2	SPACER - P CLAMP TO TRANS	
NOT SHOWN	41273	2	P CLAMP 1/2"	
REV	DATE	BY		SHEET
D	2/2/2018	MAL		1 OF 2

