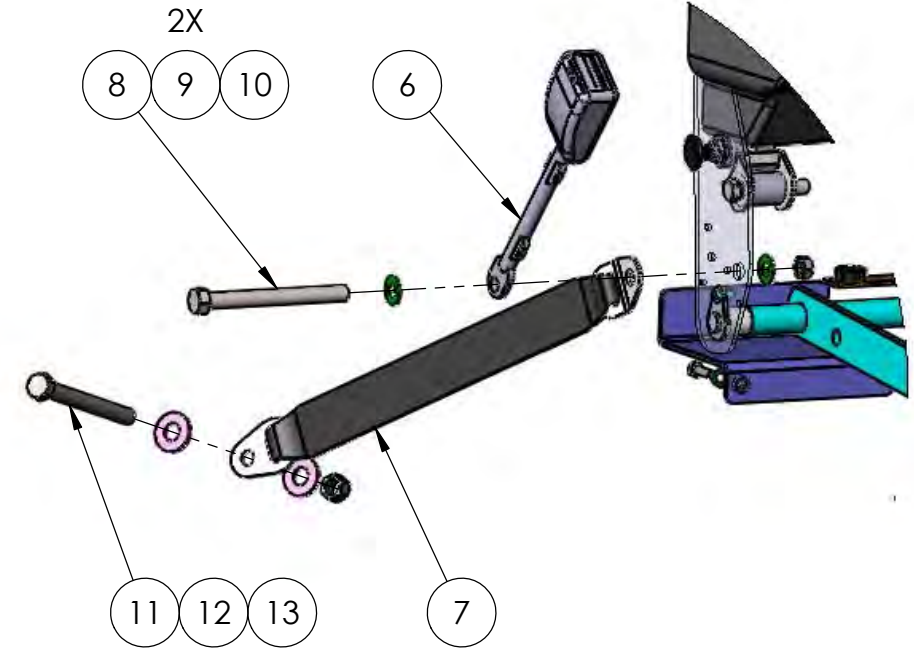
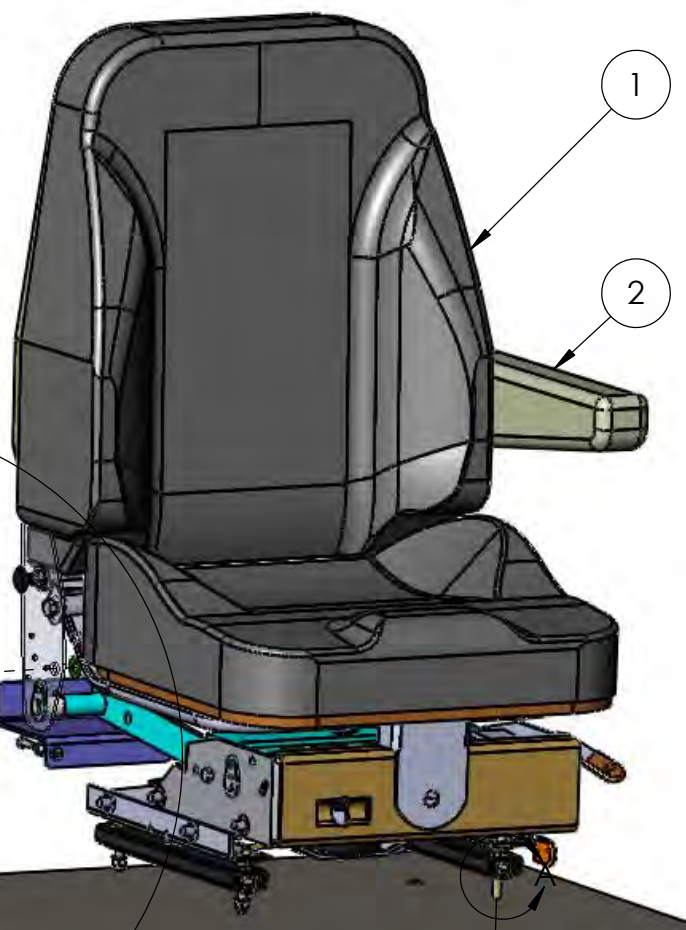
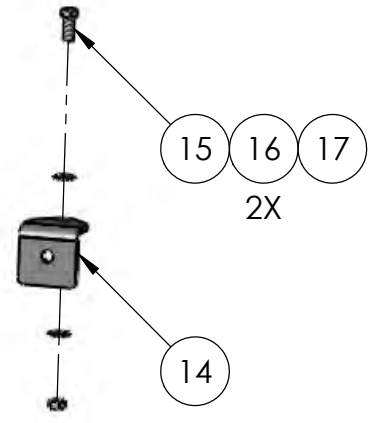



DETAIL A
SCALE 1 : 1



DETAIL B
SCALE 1 : 6

DIMENSIONS ARE IN INCHES		NAME	DATE	 TICO/TERMINAL SERVICE 66 CYPRESS RIDGE DR. RIDGELAND, SC 29936 (843) 717-2226
TOLERANCES:		DRAWN	SMB 03/11/2015	
DECIMAL:		REVISED	MPC 07/07/2016	
X.X ± 0.06 X.XX ± 0.03 X.XXX ± 0.005		APPROVED		
ANGULAR: ± 0.5°		DO NOT SCALE DRAWING		TITLE:
FRACTIONAL ± 1/32"				SEAT, BOSTROM
INTERPRET GEOMETRIC TOLERANCING PER: ASME 14.5M-1994				SIZE
MATERIAL				DWG. NO.
FINISH				721226-A1
THICKNESS				REV
				B1
				SHEET 1 OF 1

