
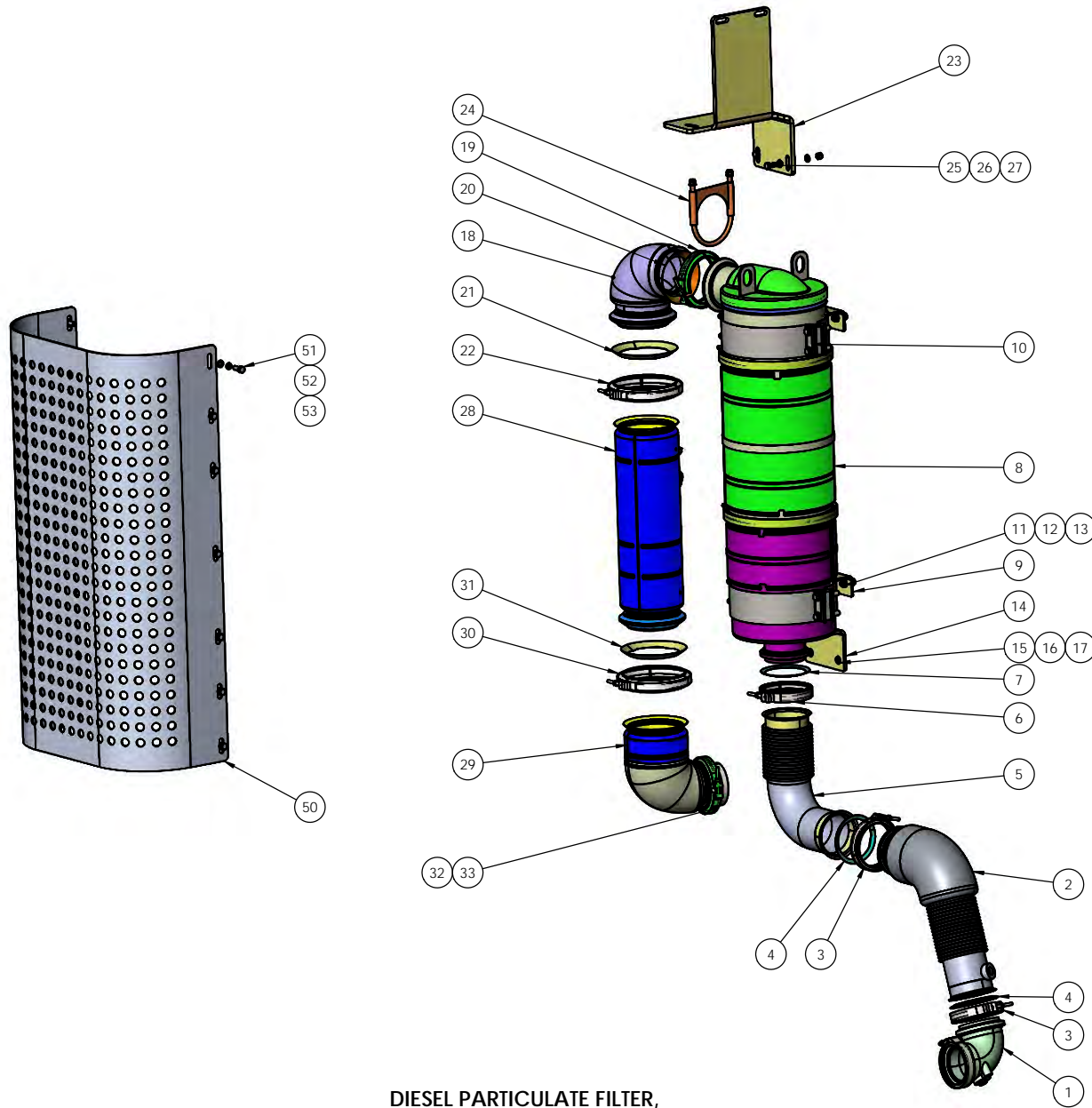



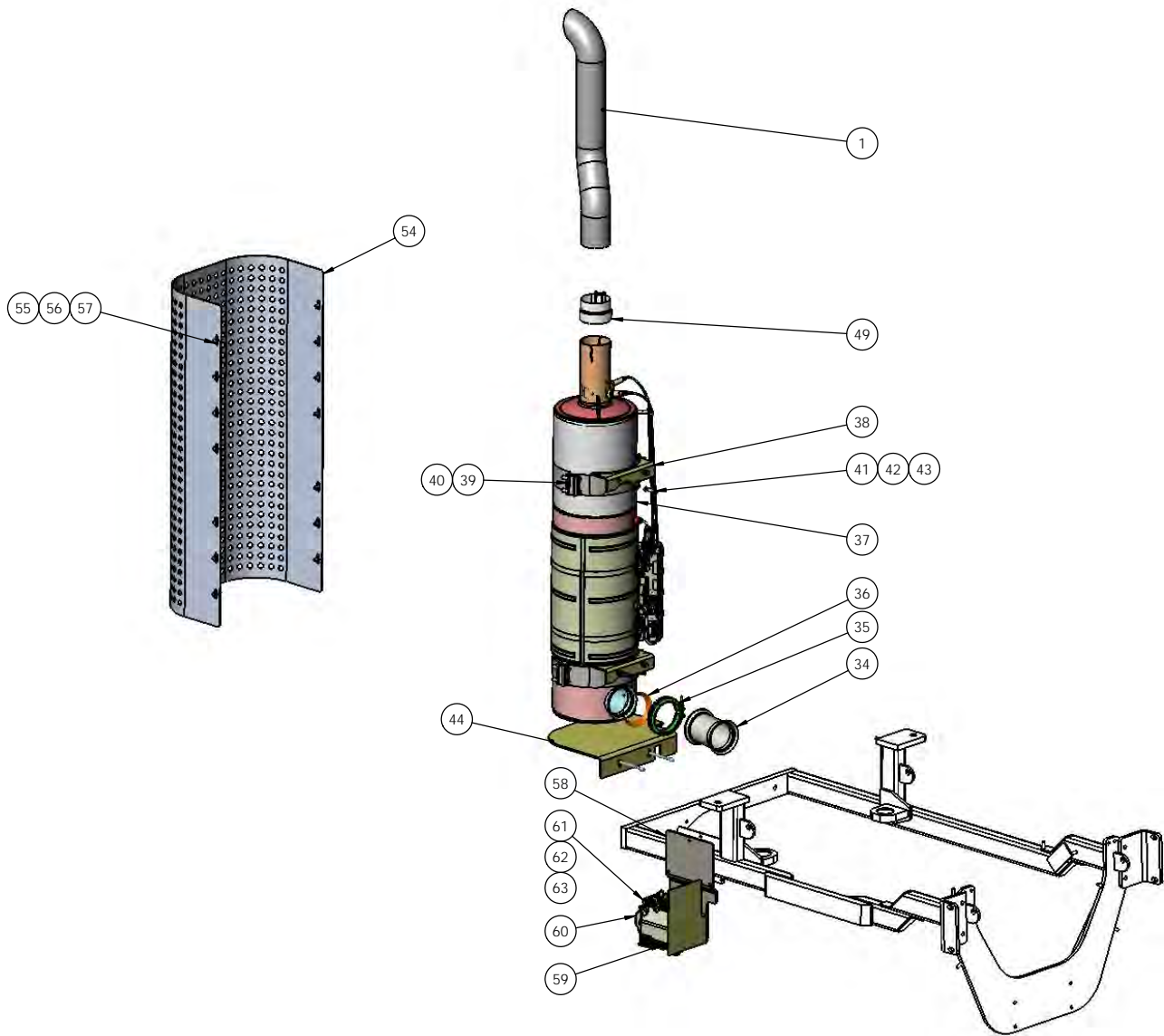
EXHAUST SYSTEM  
 PAGE 1 GENERAL OVERVIEW  
 PAGE 2 DPF, & DRT  
 PAGE 3 SCR & SUPPLY MODULE  
 PAGE 4-6 PARTSLIST

DIMENSIONS ARE IN INCHES		NAME	DATE	 TICO MANUFACTURING 66 CYPRESS RIDGE DR. RIDGELAND, SC 29936 (843) 717-2226	
TOLERANCES:		DRAWN	MAL		9/25/2017
DECIMAL:		CHECKED			
.XX ± 0.06 .XXX ± 0.03 .XXXX ± 0.005 ANGULAR ± 0.5° FRACTIONAL ± 1/32"		APPROVED			
DO NOT SCALE DRAWING					
THE SUBJECT MATTER SHOWN AND DESCRIBED IN THIS DRAWING AND ANY OTHER INFORMATION ADVANCED IN CONNECTION THEREWITH IS PROPRIETARY PROPERTY AND IS TO BE HELD IN STRICT CONFIDENCE BY YOU. ALL RIGHTS TO ANY INVENTIONS, DESIGNS, TRADE MARKS, TRADE NAMES AND COPYRIGHTS DECLARED ARE RESERVED TO TICO TERMINAL SERVICES, INC.					
MATERIAL	N/A			TITLE: EXHAUST SYSTEM, 2026-ISB  SIZE DWG. NO. REV <b>C</b> 721224-A1	
FINISH	SEE NOTE				
THICKNESS	N/A				
SCALE: 1:48		0		SHEET 1 OF 3	




**DIESEL PARTICULATE FILTER,  
DECOMPOSITION REACTOR TUBR,  
AND RELATED PIPING**

DIMENSIONS ARE IN INCHES		NAME	DATE	 TICO/TERMINAL SERVICE 66 CYPRESS RIDGE DR. RIDGELAND, SC 29936 (843) 717-2226	
TOLERANCES:		DRAWN	MAL		9/25/2017
DECIMAL:		CHECKED			
.XX ± 0.06 .XXX ± 0.03 .XXXX ± 0.005 ANGULAR ± 0.5° FRACTIONAL ± 1/32"		APPROVED			
DO NOT SCALE DRAWING					
INTERPRET GEOMETRIC TOLERANCING PER: ASME 14.5M-1994		THE SUBJECT MATTER SHOWN AND DESCRIBED IN THIS DRAWING AND ANY OTHER INFORMATION ADVANCED IN CONNECTION THEREWITH IS PROPRIETARY PROPERTY AND IS TO BE HELD IN STRICT CONFIDENCE BY YOU. ALL RIGHTS TO ANY INVENTIONS, DESIGNS, TRADE MARKS, TRADE NAMES AND COPYRIGHTS DECLARED ARE RESERVED TO TICO TERMINAL SERVICES, INC.			
MATERIAL	N/A	SIZE	DWG. NO.	REV	
FINISH	SEE NOTE	C	721224-A1		
THICKNESS	N/A	SCALE: 1:48	0	SHEET 2 OF 3	



SELECTIVE CATALYTIC REACTOR,  
& SUPPLY MODULE

DIMENSIONS ARE IN INCHES		NAME	DATE	 TICO/TERMINAL SERVICE 66 CYPRESS RIDGE DR. RIDGELAND, SC 29936 (843) 717-2226	
TOLERANCES:		DRAWN	MAL		9/25/2017
DECIMAL:		CHECKED			
.XX ± 0.06 .XXX ± 0.03 .XXXX ± 0.005 ANGULAR ± 0.5° FRACATIONAL ± 1/32"		APPROVED			
INTERPRET GEOMETRIC TOLERANCING PER: ASME 14.5M-1994		DO NOT SCALE DRAWING			TITLE: EXHAUST SYSTEM, ISB-2016
MATERIAL: N/A		SIZE: C		DWG. NO.: 721224-A1	REV:
FINISH: SEE NOTE		SCALE: 1:48		0	SHEET 3 OF 3
THICKNESS: N/A		<small>           THE SUBJECT MATTER SHOWN AND DESCRIBED IN THIS DRAWING AND ANY OTHER INFORMATION ADVANCED IN CONNECTION THEREWITH IS PROPRIETARY PROPERTY AND IS TO BE HELD IN STRICT CONFIDENCE BY YOU. ALL RIGHTS TO ANY INVENTIONS, DESIGNS, TRADE MARKS, TRADE NAMES AND COPYRIGHTS DECLARED ARE RESERVED TO TICO TERMINAL SERVICES, INC.         </small>			

TICO PRO-SPOTTER				
EXHAUST SYSTEM, ISB-2016, 72" DOOR				721224
ITEM	PART #	QTY/M	DESCRIPTION	
	721224-A1	REF	EXHAUST SYSTEM, ISB-2016, 72" DOOR	
1	61744	1	ELBOW - TURBO	
2	62308	1	PIPE, TURBO TO JUNCTION EXHAUST FLEX	
3	40766	2	CLAMP, 4-5/8" STANDARD MARMON V-BAND	
4	61762	2	SEAL	
5	62309	1	PIPE, JUNCTION TO DPF EXHAUST FLEX	
6	40766	1	CLAMP, 4-5/8" STANDARD MARMON V-BAND (PIPE TO DPF)	
7	61762	1	SEAL (PIPE TO DPF)	
8	62294	1	DPF, DIESEL PARTICULATE FILTER (P/N SHOWN ON ENGINE)	
9	121360	2	WELDMENT, BRACKET, DPF, ISB 2016	
10	420317	4	CLAMP, 5" BAND SS EXHAUST	
11	82383	4	BOLT, 3/8"-16 x 1-1/4" Lg HEX (CLAMP TO CAB BAR)	
12	85091	4	WASHER, 3/8" HRDN (CLAMP TO CAB BAR)	
13	85135	4	LOCKWASHER, 3/8-16 (CLAMP TO CAB BAR)	
14	12786	1	BRACKET, DPF BASE SUPPORT	
15	82559	2	BOLT, 3/8"-16 x 5-1/4" Lg HEX	
16	85091	4	WASHER, 3/8" HRDN	
17	85025	2	NUT, 3/8"-16 NYLOK	
18	62297	1	ELBOW, 4" SPHERICAL FLARE TO 5" SPHERICAL FLANGE (DPF TO DRT)	
19	62330	1	CLAMP, 4" SPHERICAL MARMON V-BAND (DPF TO ELBOW)	
20	62331	1	GASKET, 4" SPHERICAL MARMON (DPF TO ELBOW)	
21	61760	1	CLAMP, 5" SPHERICAL MARMON V-BAND (ELBOW TO DRT)	
22	61761	1	GASKET, 5" SPHERICAL MARMON (ELBOW TO DRT)	
23	12787	1	BRACKET, DRT & SNORKEL MOUNT	
24	42243	1	CLAMP, 4-1/2" MUFFLER	
25	82394	2	BOLT, 3/8"-16 x 1-1/2" Lg HEX	
26	85091	4	WASHER, 3/8" HRDN	
27	85025	2	NUT, 3/8"-16 NYLOK	
28	62010	1	DRT, DECOMPOSITION REACTOR TUBE (P/N SHOWN ON ENGINE)	
29	62296	1	ELBOW, 5" SPHERICAL FLARE TO 4" SPHERICAL FLANGE (EXIT ELBOW)	
30	61760	1	CLAMP, 5" SPHERICAL MARMON V-BAND (DRT TO ELBOW)	
31	61761	1	GASKET, 5" SPHERICAL MARMON (DRT TO ELBOW)	
32	62330	1	CLAMP, 4" SPHERICAL MARMON V-BAND (ELBOW TO PIPE)	
33	62331	1	GASKET, 4" SPHERICAL MARMON (ELBOW TO PIPE)	
REV	DATE	BY		SHEET
A	9/25/2017	MAL		1 OF 2

TICO PRO-SPOTTER				
EXHAUST SYSTEM, ISB-2016, 72" DOOR				721224
ITEM	PART #	QTY/M	DESCRIPTION	
34	62320	1	PIPE, DRT TO SCR EXHAUST	
35	62330	1	CLAMP, 4" SPHERICAL MARMON V-BAND (PIPE TO SCR)	
36	62331	1	GASKET, 4" SPHERICAL MARMON (PIPE TO SCR)	
37	620554	1	SCR, SELECTIVE CATALYTIC REACTOR, 2015-ISB (P/N SHOWN ON ENGINE)	
38	121363	2	WELDMENT, BRACKET, SCR, ISB 2016	
39	420315	2	CLAMP, 7"BAND SS EXHAUST	
40	420316	2	CLAMP, 4.5"BAND SS EXHAUST	
41	82383	4	BOLT, 3/8"-16 x 1-1/4" Lg HEX (CLAMP TO CAB BAR)	
42	85091	4	WASHER, 3/8" HRDN (CLAMP TO CAB BAR)	
43	85135	4	LOCKWASHER, 3/8-16 (CLAMP TO CAB BAR)	
44	12886	1	WELDMENT, SCR BOTTOM SUPPORT	
45	82548	1	BOLT, 3/8"-16 x 5" Lg HEX	
46	85091	2	WASHER, 3/8" HRDN	
47	85025	1	NUT, 3/8"-16 NYLOK	
48	620604	1	STACK, 32" ALUMINIZED EXHAUST ( 62187)	
49	61894	1	CLAMP, 4" SS LAP JOINT	
50	62324	1	HEAT SHIELD, DRT & DPF	
51	82372	8	BOLT, 3/8"-16 x 1" Lg HEX	
52	85135	8	LOCKWASHER, 3/8" HELICAL SPRING	
53	85091	8	WASHER, 3/8" HRDN	
54	62327	1	HEAT SHIELD, SCR	
55	82372	8	BOLT, 3/8"-16 x 1" Lg HEX	
56	85135	8	LOCKWASHER, 3/8" HELICAL SPRING	
57	85091	8	WASHER, 3/8" HRDN	
58	121043	1	BRACKET, SUPPLY MODULE MOUNT	
59	121044	1	GUARD, SUPPLY MODULE MUD	
60	61741	1	MODULE, SUPPLY ISB 2010	
61	82514	3	BOLT, 5/16"-18 X 4.25 LG	
62	85024	3	NUT, 5/16"-18 NYLOK	
63	85112	6	WASHER, 5/16" FLAT SOFT	
NOT SHOWN	1		WIRE HARNESS - ISB 2015 AFTERTREATMENT	
NOT SHOWN	1		BRACKET - SCR HEAT SHIELD TO BOTTOM SUPPORT	
NOT SHOWN	1		BOLT, HEX 5/16-18 X 1 LG	
NOT SHOWN	1		WASHER, FENDER .31 X 1.25 SS	
NOT SHOWN	2		WASHER, FLAT 5/16	
NOT SHOWN	2		LOCKNUT, NYLOCK 5/16-18	
REV	DATE	BY		SHEET
A	9/25/2017	MAL		2 OF 2
TICO MANUFACTURING - RIDGELAND, SC 29936				