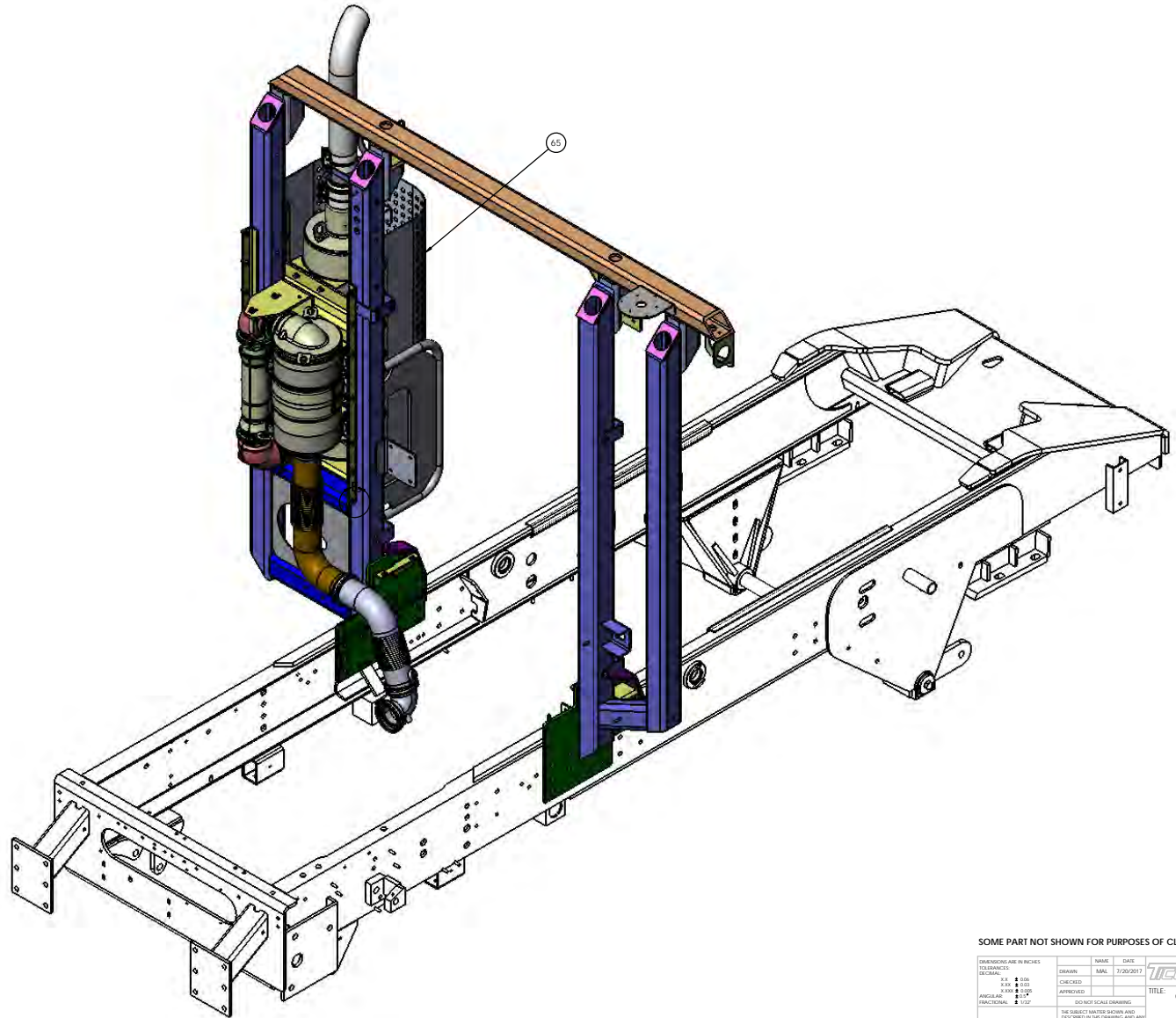


HEAT SHIELD FASTENERS

- 62
- 63
- 64

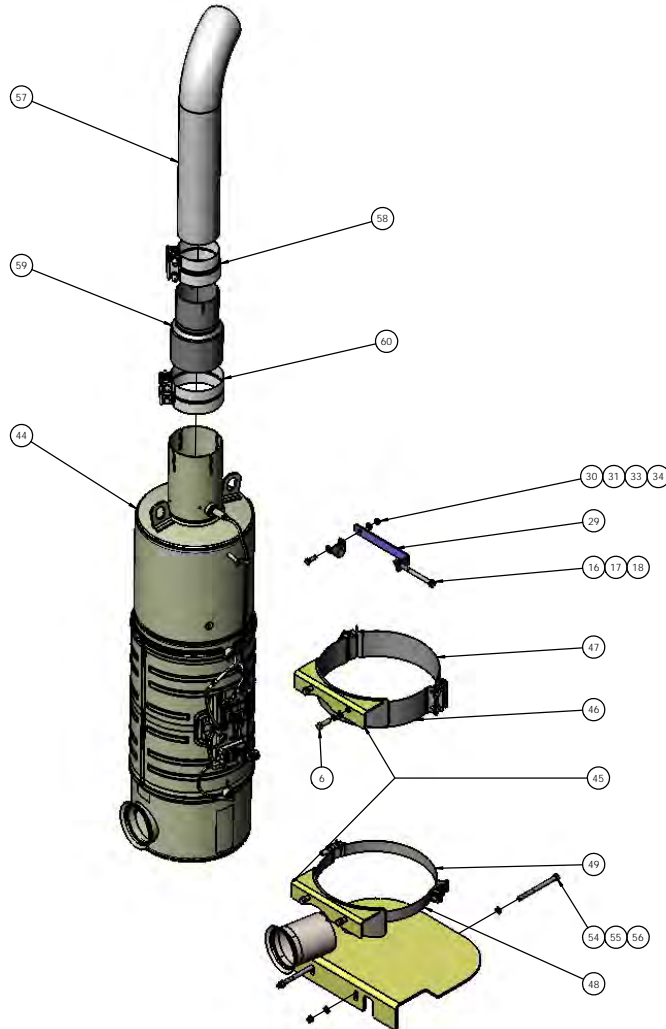


EXHAUST SYSTEM, QSB-IVF
 PAGE 1 OVERVIEW, EXHAUST
 HEAT SHIELDS
 PAGE 2 LOWER TUBES, AND DOC DETAILS
 PAGE 3 SCR TUBE
 PAGE 4-6 PARTSLIST

SOME PART NOT SHOWN FOR PURPOSES OF CLARITY

DIMENSIONS ARE IN INCHES TOLERANCES: DECIMAL: .000 FRACTIONAL: 1/32"	NAME: MAL DATE: 7/20/2017 CHECKED: APPROVED: DOTTED SCALE DRAWING	TICO MANUFACTURING 84 CYPRESS RIDGE DR. ROCKLAND, NC 27854 (843) 717-2226
DRAWN: CHECKED: APPROVED: DATE: REV:	TITLE: QSB-IVF EXHAUST SYSTEM	SIZE: D DWG. NO.: 721221-B1 SCALE: 1:32 [WEIGHT: 3402.57] SHEET 1 OF 3

D 721221-B1



SELECTIVE CATALYTIC REDUCTION
(SCR)

DIMENSIONS ARE IN INCHES TOLERANCES: DECIMAL: .005 FRACTIONS: 1/32 ANGULAR: ±0.1° FUNCTIONAL: ±.012	NAME: MAL DATE: 7/25/2017 CHECKED: APPROVED: DOTTED SCALE DRAWING	TITLE: EXHAUST SYSTEM, OSB-IVF
REFER TO GEOMETRIC TOLERANCING FOR ASME Y14.5M 2014	THE SUBJECT MATTER SHOWN AND DESCRIBED IN THE DRAWING AND ANY OTHER INFORMATION CONTAINED HEREIN IS THE PROPERTY OF WECO AND IS NOT TO BE REPRODUCED OR TRANSMITTED IN ANY FORM OR BY ANY MEANS, ELECTRONIC OR MECHANICAL, INCLUDING PHOTOCOPYING, RECORDING, OR BY ANY INFORMATION STORAGE AND RETRIEVAL SYSTEM, WITHOUT THE WRITTEN PERMISSION OF WECO.	WECO TERMINAL SERVICE 66 CYPRUS RIDGE DR. ROCKLAND, NC 27854 (843) 717-2226
SEE NOTE N/A	SIZE: D DWG. NO.: 721221-B1 SCALE: 1:32 [WEIGHT: 1023.64] SHEET 3 OF 3	REV:

D 721221-B1

