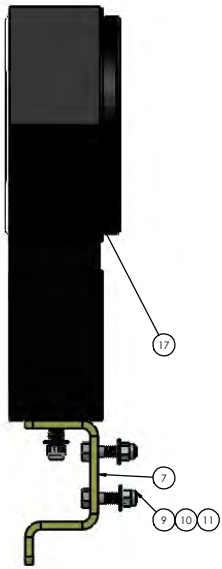
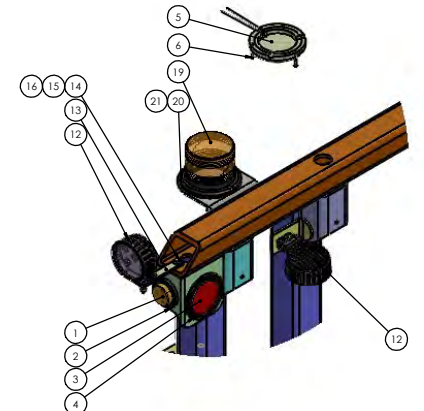


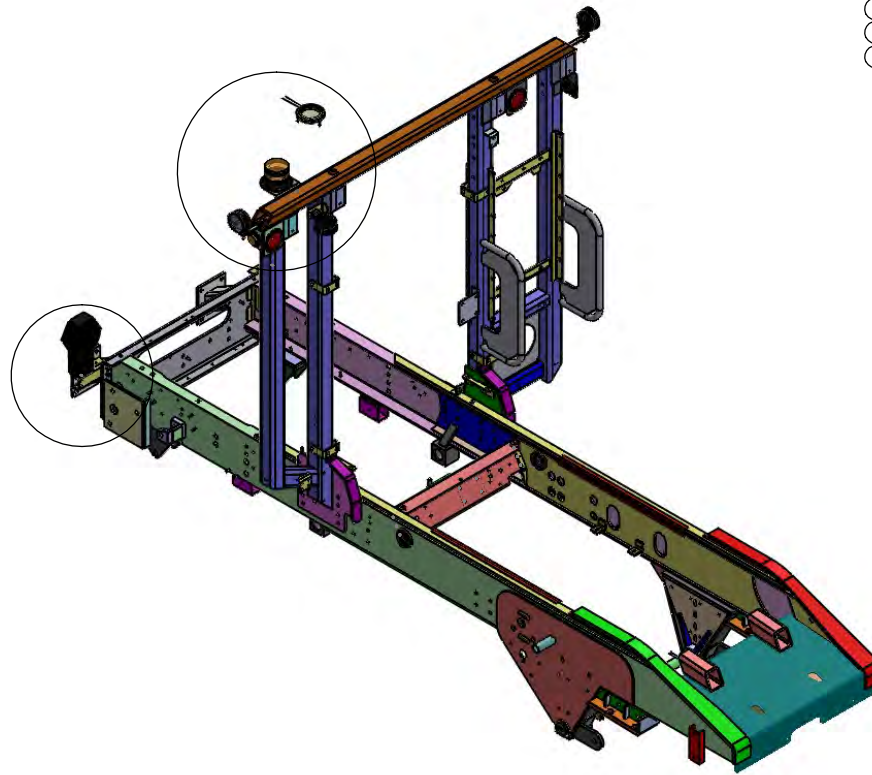
RH HEADLIGHT CLUSTER



LH HEADLIGHT CLUSTER



CAB BAR LIGHT CLUSTER



DIMENSIONS ARE IN INCHES		NAME	DATE	TICO MANUFACTURING
TOLERANCES:		DRAWN	BBN	5/26/2020
DECIMAL	.0005	CHECKED		44 CYPRESS ROUGE DR.
ANGULAR	±0.1°	APPROVED		ROCKLAND, NC 27854
FRACTIONAL	±0.005			TICORACTORS.COM
FUNCTIONAL	±0.010	DO NOT SCALE DRAWING		TITLE: LIGHTS & MOUNTING ASSEMBLY
INSPECT GEOMETRIC TOLERANCING PER ASME Y14.5M-1994		THE SUBJECT MATTER SHOWN AND DESCRIBED IN THIS DRAWING AND ANY OTHER INFORMATION CONTAINED IN CONNECTION HERWITH IS THE PROPERTY OF TICO MANUFACTURING AND IS TO BE KEPT IN CONFIDENCE BY ALL PARTS TO WHOM IT IS FURNISHED. NO REPRODUCTION, STORAGE, TRANSMISSION, DISSEMINATION OR OTHERWISE DECIDED ARE PERMITTED BY TICO MANUFACTURING, INC.		SIZE DWG. NO. 721011_A1_ILL
REVISIONS:		SCALE: 1/24	WEIGHT:	REV SHEET 1 OF 1

