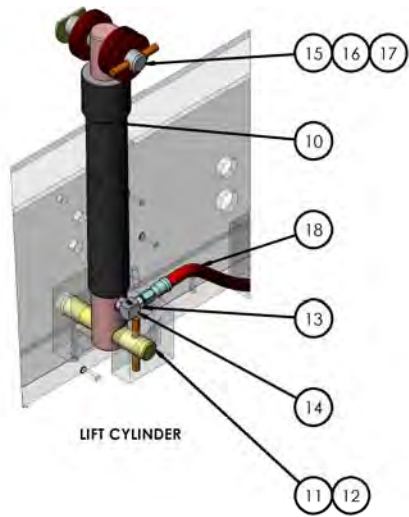
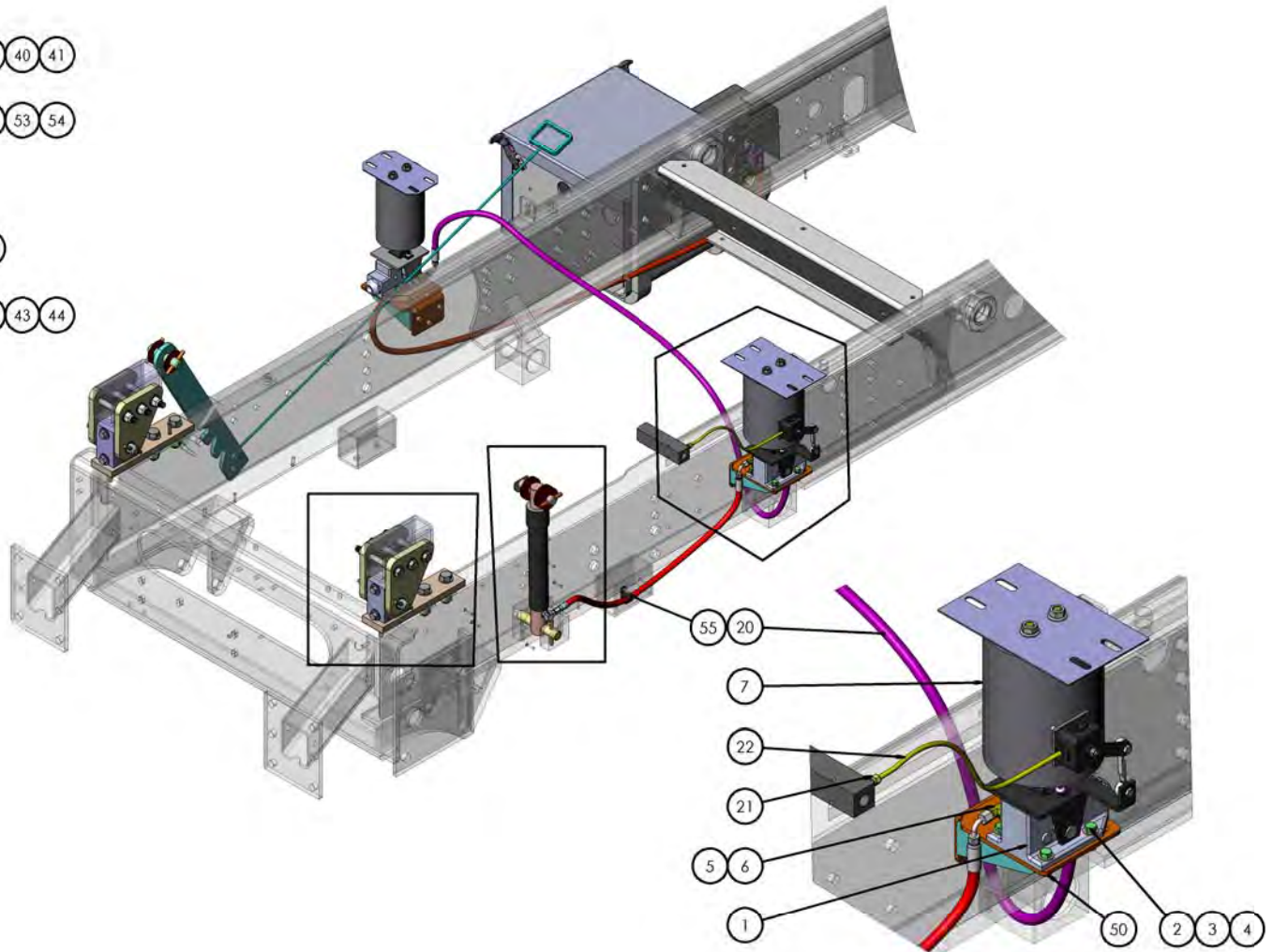


LEFT-HAND PIVOT BLOCK



LIFT CYLINDER



LEFT HAND LARGE AIRBAG

- PAGE CONTENTS  
 1. LEFT HAND VIEW  
 2. RIGHT HAND VIEW  
 3-5. PART LISTS

TITLE CAB SUSPENSION & PIVOTS	DWG. NO. 721212-C1	REV D
SCALE: 1:24 WEIGHT: 3378.95 SHEET 1 OF 2	TCO MANUFACTURING 800 CUMMINS DRIVE ROCKFORD, IL 61109 815 717 2200	



**TICO PRO-SPOTTER**

**CAB SUSPENSION - 2015 ISB/QSB-IV, LIFT PUMP ASSEMBLY, CAB BAR MOUNTED**

**721212**

ITEM	PART #	QTY/M	DESCRIPTION
	721212-C1	REF	ASSEMBLY, CAB CUSHION, PIVOT, LIFT & LATCH SYSTEM
1	30096-1	2	LATCH, CAB CUSHION AIR RIDE
NOT SHOWN	30096-5	2	WASHER, BUSHING RETAINER CAB CUSHION
2	82383	8	BOLT, HEX, 3/8-16 X 1-1/4 LG
3	85113	16	WASHER, FLAT, 3/8
4	85036	8	LOCKNUT, NYLOCK, 3/8-16
5	40473	2	FITTING, MALE BRANCH TEE, STEEL, #4 JIC X 1/4 NPT
6	10625	2	FITTING, ADAPTER STR, STEEL, #4 O-RING X #6 JIC
7	30096-2	1	ASSEMBLY, AIRBAG LARGE
8	30096-3	1	ASSEMBLY, AIRBAG SMALL
NOT SHOWN	30096-5	2	WASHER, BUSHING RETAINER CAB CUSHION
NOT SHOWN	82383	8	BOLT, HEX, 3/8-16 X 1-1/4 LG
NOT SHOWN	85091	16	WASHER, FLAT, 3/8
NOT SHOWN	85025	8	LOCKNUT, NYLOCK, 3/8-16
9	200361	1	REAR CAB PUMP W/ SEALED SWITCH ASSY INSTRUCTIONS, W/O SPACERS
10	300377	1	CYLINDER, CAB LIFT HYDRAULIC
11	10071-4	1	PIN, CAB LIFT CYLINDER LOWER
12	40018	1	PIN, 3/8" ROLL
13	42001	1	STRAIGHT ADAPTER 1/4 O-RING TO 1/4 JIC
14	420314	1	VALVE, VELOCITY FUSE, 90° SWIVEL, 0.2 TO 4.0 GPM, CLOSING FLOW 0.8 GPM
15	90341	1	PIN - UPPER LIFT CYLINDER
16	40018	1	PIN, 3/8" ROLL
17	85119	9	WASHER, FLAT, 1
18	41151	1	HOSE ASSY- NO 4, OAL 41 1/2LG, STR/90°
19	41298	1	HOSE ASSY - NO 4, OAL 73-3/4" LG, STR/STR
	41298H	1	HOSE-HYD HI PRES 1/4" ID x 71" LG (H24504)
	40513	2	FITTING, STRAIGHT 1/2" OD
20	41228	1	HOSE ASSY-NO 4, OAL 80 1/2LG, STR/90°
	41228H	1	HOSE-HYD 1/4 ID X 77 15/16 LG (H24504)
	40513	1	FITTING, STRAIGHT 1/2" OD
	40511	1	FITTING, 90°
21	40831	1	FITTING STR 1/4 to 5/8
22	11000	20IN	TUBE, 1/4 OD AIR BRAKE (YELLOW) x 20" Lg
NOT SHOWN	41069	1	LOOM 1/4" ID - DELL CITY P/N 783
NOT SHOWN	41069	1	LOOM 1/4" ID - DELL CITY P/N 783
<b>REV</b>	<b>DATE</b>	<b>BY</b>	<b>SHEET</b>
C	6/21/17	MAL	1 OF 3



