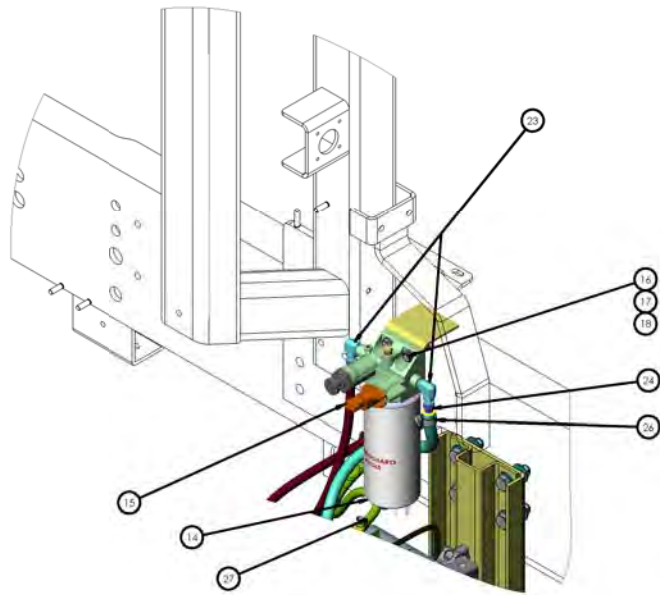
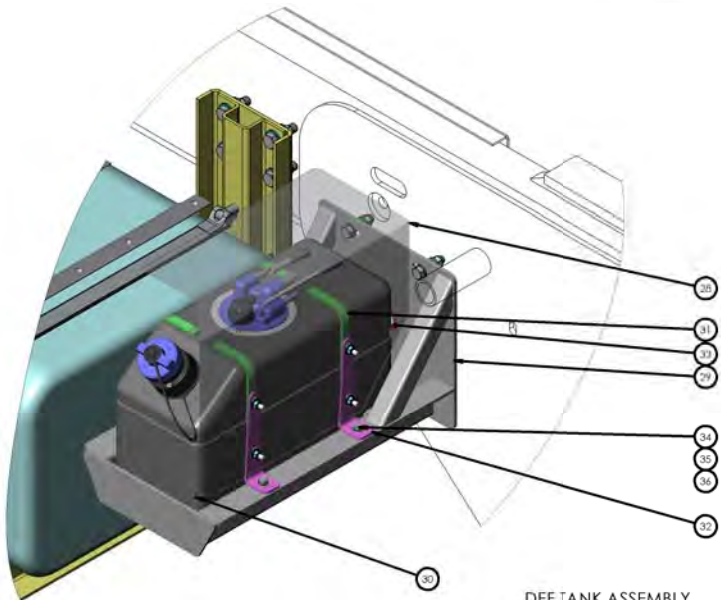


DESIGNED BY: B. H. H. H.	NAME	DATE	TICCO/TERMINAL SERVICE 400 CLEVELAND BOULEVARD ROCKY HILL, CT 06866 (860) 717-2000
DRAWN BY: M. A. L.	DATE	02/21/01	
CHECKED BY: J. H. H.	CHECKED		TITLE: FUEL TANK & SYSTEM SHEET [DWG. NO. 721208-B1] REV D SCALE: 1:32 WEIGHT: 3882.0 SHEET 1 OF 2
ANGULAR DIMENSIONS: <input type="checkbox"/> DIM	ANGULAR DIMENSIONS		
FRONT VIEW: <input type="checkbox"/> DIM	FRONT VIEW		
ISOMETRIC: <input type="checkbox"/> DIM	ISOMETRIC		
DO NOT SCALE DRAWING			
UNLESS OTHERWISE SPECIFIED, DIMENSIONS ARE IN INCHES AND DECIMALS THEREOF. DIMENSIONS IN PARENTHESES ARE IN MILLIMETERS AND DECIMALS THEREOF. DIMENSIONS IN PARENTHESES TAKE PRECEDENCE OVER DIMENSIONS IN INCHES AND DECIMALS THEREOF.			
SEE NOTE			
REVISIONS:			

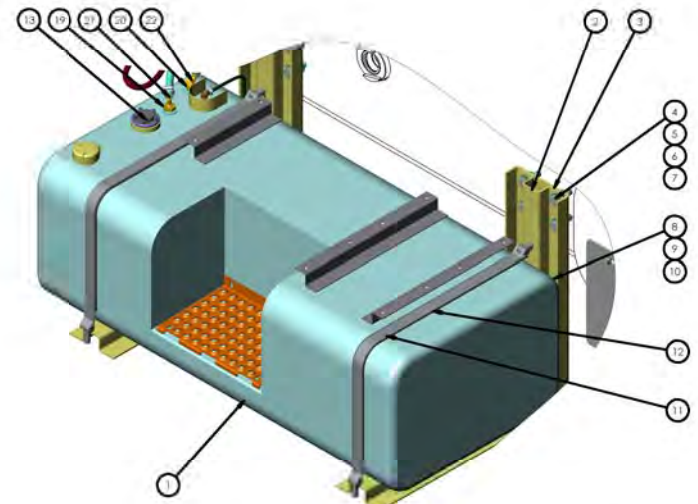
721208-B1



FUEL FILTER ASSEMBLY



DEF TANK ASSEMBLY



FUEL TANK ASSEMBLY

		TUCO TERMINAL SERVICE AN O'CONNOR ROUSE CO. PRODUCT MODEL 721208-0100	
TITLE: FUEL TANK & SYSTEM		REV:	
PART NO.: 721208-81		REV:	
SCALE: 1:30		WEIGHT: 3882.0	
SHEET 2 OF 2			

721208-81

TICO PRO-SPOTTER				
FUEL TANK & SYSTEM, 2016-ISB				721208
ITEM	PART #	QTY/M	DESCRIPTION	
	721208-B1	REF	FUEL TANK & SYSTEM, 2016-ISB	
1	20289	1	TANK, FUEL 65 GALLON	
2	20175	2	BRACKET - TANK MOUNT	
3	12406	2	CHANNEL BRACKET - FUEL TANK	
4	82397	4	BOLT, HEX 5/8-11 x 1-1/2 LONG	
5	82419	4	BOLT, HEX 5/8-11 x 2 LONG	
6	85028	8	NUT, NYLOCK 5/8-11	
7	85094	16	WASHER, FLAT HARD 5/8	
8	82385	4	BOLT, HEX 1/2-13 X 1-1/4 LONG	
9	85027	4	NUT, NYLOCK 1/2-13	
10	85093	8	WASHER, FLAT HARD 1/2"	
11	20179	2	HOLDING STRAP, FUEL TANK	
12	20171	2	RUBBER PAD -TANK BRKT 1/8 X 1 1/2	
13	20169	1	SENDER FUEL 240-33 OHM NO-FLOAT	
14	61001	1	FILTER FUEL-PRIMARY (FF5632 FURN W/ENG)	
	62384	1	FILTER HEAD, FH21108	
	61017	1	FILTER FUEL/WATER SEP	
15	61807	1	HEATER, STICK	
NOT SHOWN	61672	1	HARNES, FUEL FILTER HEATER	
NOT SHOWN	61883	1	BRACKET - STANDOFF	
16	82405	2	BOLT, HEX 3/8-16 x 1 3/4 BRACKET to CAB BAR	
17	85113	8	WASHER, FLAT 3/8	
18	85036	4	LOCKNUT, 3/8-16	
19	42053	1	FITTING, REDUCER BRASS 3/4 NPT - 3/8 NPT (SUPPY)	
20	42095	1	FITTING, REDUCER BRASS 1/2 NPT - 3/8 NPT(RETURN)	
21	42239	1	FITTING, HOSE BARB - 90° BRASS - 3/8 HOSE TO 3/8 NPT (SUPPLY)	
22	42139	1	FITTING, HOSE BARB - 90° BRASS - 5/16 HOSE TO 3/8 NPT (RETURN)	
REV	DATE	BY	SHEET	
B	02/22/2017	MAL	1 OF 3	
TICO MANUFACTURING - RIDGELAND, SC 29936				

