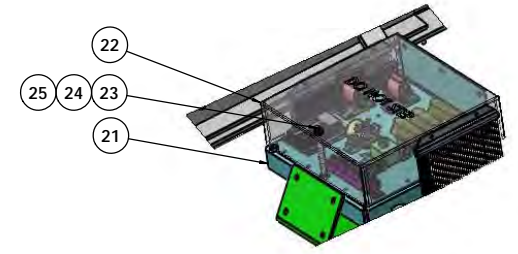
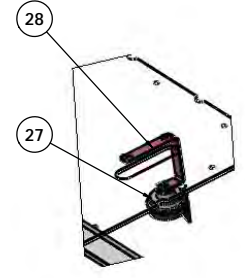


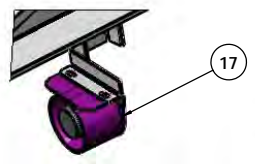
BATTERY BOX



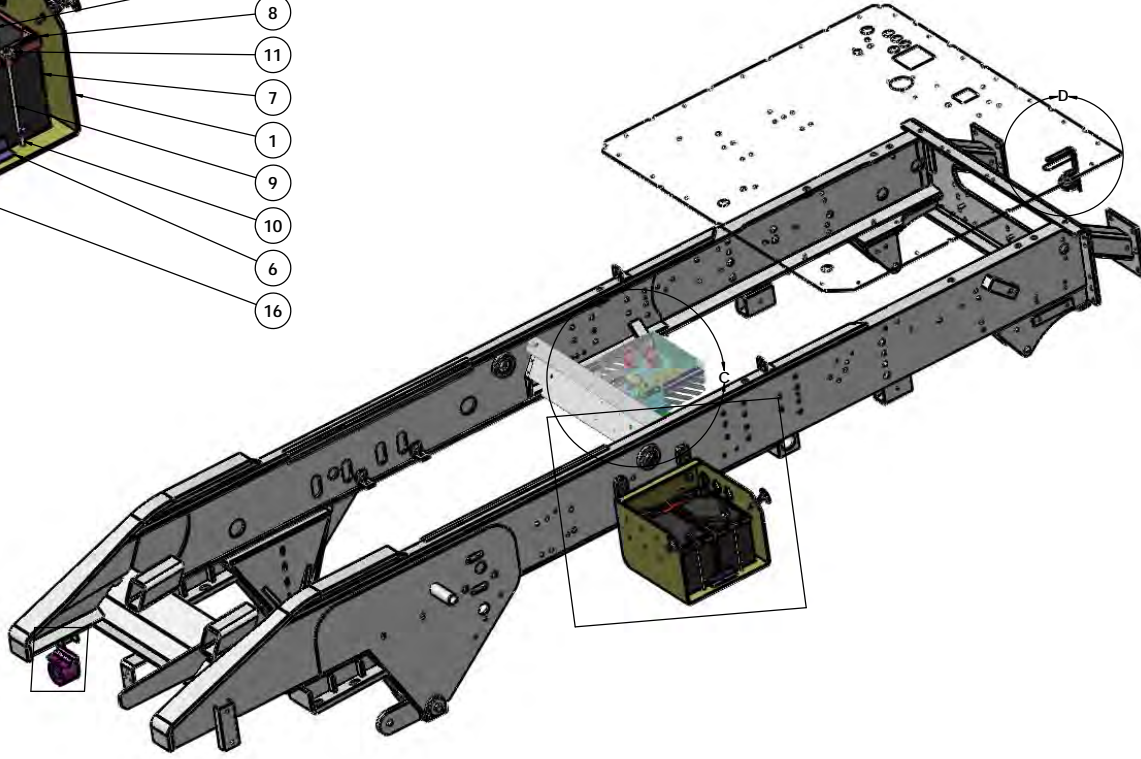
PDC ASSEMBLY & COVER



ELECTRIC HORN



17



DIMENSIONS ARE IN INCHES		NAME	DATE	 WCO MANUFACTURING 88 CYPRUS ROAD DR. ROCKLAND, NC 29086 (843) 717-2226
TOLERANCES:		DESIGN	MAL	
DECIMALS		✓	✓	✓
FRACTIONS		✓	✓	✓
ANGULAR		✓	✓	✓
RADIUSES		✓	✓	✓
UNLESS OTHERWISE SPECIFIED		APPROVED		TITLE: BATTERY & WIRING
DRAWN: N/A		CHECKED: N/A		SIZE: D
REVISED: N/A		DATE: N/A		DWG. NO: 721203-A1
SEE NOTE		REVISIONS:		REV
N/A		N/A		SCALE: 1:24 [WEIGHT: 2887.22] SHEET 1 OF 1

TICO PRO-SPOTTER				
BATTERY & WIRING,2016 ISB,128WB,ACC, 2-925CCABAT,STD ALM,DELCO,SPLIT FLOOD, GALV				721203
ITEM	PART #	QTY/M	DESCRIPTION	
18	90843	1	CABLE - 3/0 RED BATTERY JUMPER 8.75" LG	
19	90844	1	CABLE - 3/0 BLK BATTERY JUMPER 8.75" LG	
N/S	910325	1	CABLE - 3/0 RED BATTERY to STARTER 48" Lg	
N/S	91525	1	CABLE - 3/0 RED BATTERY to PDC 41-1/2" Lg	
N/S	910326	1	CABLE - 3/0 BLK BATTERY to PDC 51" LG	
N/S	90837	1	CABLE - 3/0 BLK BATTERY to STARTER 65.5" LG	
20	90957	2	BATTERY BUSS BAR	
N/S	82371	1	BOLT, HEX 5/16-18 X 1" LG	
N/S	85002	1	NUT, HEX 5/16-18	
N/S	85112	2	FLATWASHER 5/16	
N/S	85134	2	LOCKWASHER, 5/16	
N/S	91268	4	SHRINK TUBING-2" ID, 6" LONG	
N/S	620548	1	HARNESS-CAB PDC, ISB, SEPARATE W/L, CNTR REVERSE, AUX POWER	
N/S	61558	1	HARNESS - CAB POWER	
N/S	61521	1	HARNESS - CAB ACC. (1 FANS/DOME LGT)	
N/S	620497	1	HARNESS - EXTERIOR LIGHTS, SEPARATE WORKLIGHTS, BRAID	
21	62410	1	HARNESS - CHASSIS PDC, ISB 2016	
N/S	61559	1	HARNESS, SPITTER	
N/S	62084	1	HARNESS - TAIL LIGHTS 128" WB	
N/S	91132	1	HARNESS-CAB GND	
N/S	910327	1	HARNESS - CHASSIS PDC TO FRAME	
N/S	82383	2	BOLT, HEX 3/8-16 x 1 1/4 Lg	
N/S	85113	4	WASHER, FLAT 3/8	
N/S	85035	1	LOCKNUT, HEX 3/8-16	
N/S	85135	1	LOCKWASHER 3/8	
N/S	85111	2	WASHER, FLAT 1/4	
N/S	85133	2	LOCKWASHER 1/4	
N/S	85012	2	NUT - 1/4-20	
22	91938	1	COVER - PDC PANEL WITH SPRAY SUPPRESSION	
N/S	91521	1	COVER PDC PANEL	
23	61597	1	SPACER	
24	85113	4	WASHER, FLAT 3/8	
25	85135	1	LOCKWASHER 3/8	
26	85014	2	NUT, HEX 3/8-16	
N/S	90870	14	RELAY	
REV	DATE	BY		SHEET
A-1	9/17/19	REB		2 OF 3

