
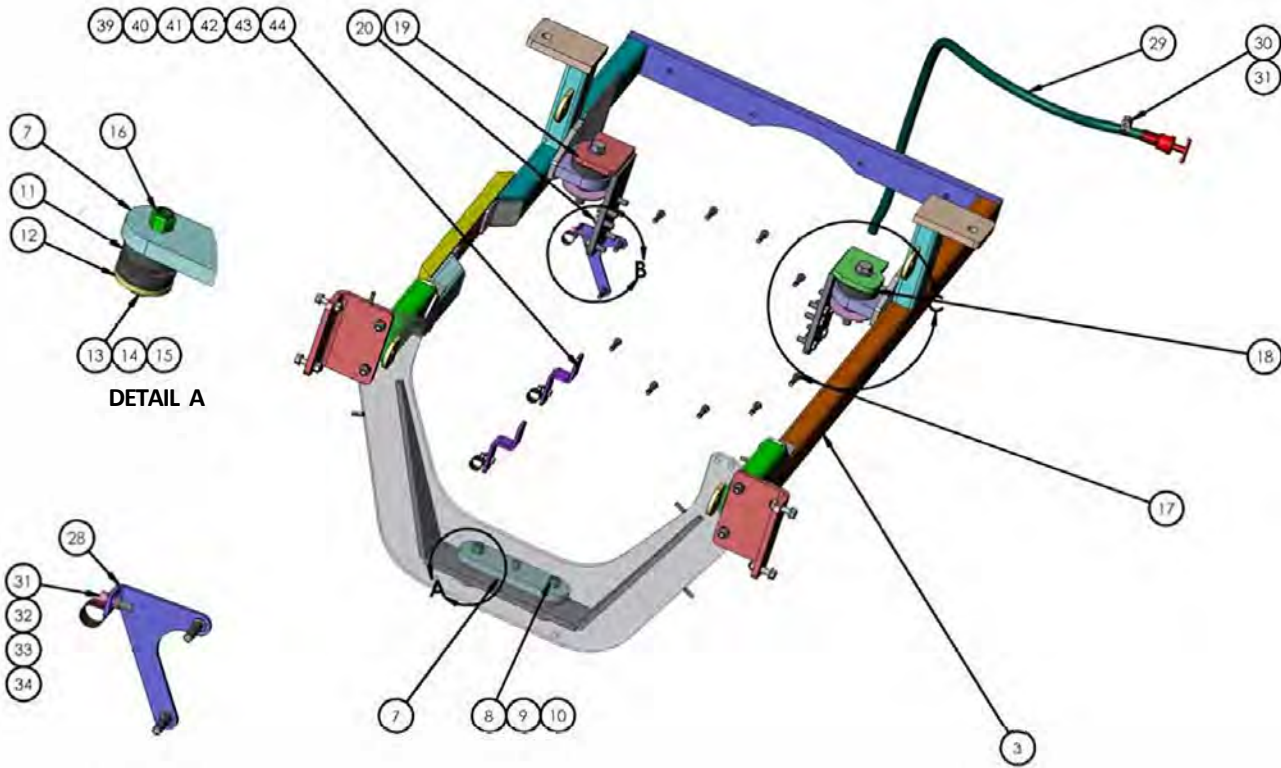


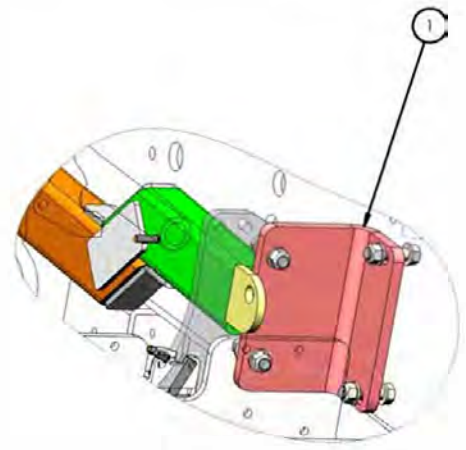
DIMENSIONS ARE IN INCHES		NAME	DATE	 TICO/TERMINAL SERVICE 66 CYPRESS RIDGE DR. RIDGELAND, SC 29936 (843) 717-2226	
TOLERANCES:		DRAWN	MAL		02/16/2017
DECIMAL:		CHECKED			
.XX ± 0.06 .XXX ± 0.03 .XXXX ± 0.005 ANGULAR ± 0.5° FRACTIONAL ± 1/32"		APPROVED			
INTERPRET GEOMETRIC TOLERANCING PER: ASME 14.5M-1994		DO NOT SCALE DRAWING			TITLE: ENGINE & TRANSMISSION
MATERIAL		THE SUBJECT MATTER SHOWN AND DESCRIBED IN THIS DRAWING AND ANY OTHER INFORMATION ADVANCED IN CONNECTION THEREWITH IS PROPRIETARY PROPERTY AND IS TO BE HELD IN STRICT CONFIDENCE BY YOU. ALL RIGHTS TO ANY INVENTIONS, DESIGNS, TRADE MARKS, TRADE NAMES AND COPYRIGHTS DISCLOSED ARE RESERVED TO TICO TERMINAL SERVICES, INC.			SIZE DWG. NO. REV
FINISH					C 721200-B1
THICKNESS					SCALE: 1:48 WEIGHT: SHEET 1 OF 1



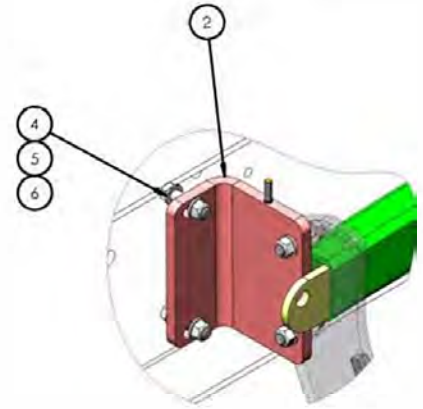
DETAIL A

DETAIL B

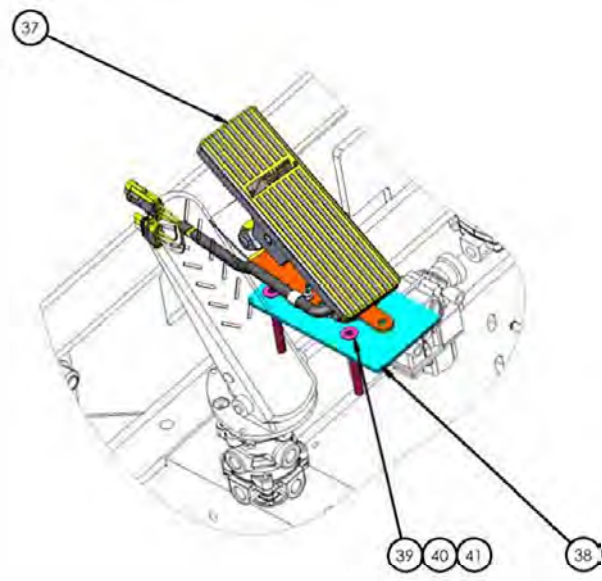
DETAIL C



LH BRACKET, FRONT



RH BRACKET, FRONT



DIMENSIONS ARE IN INCHES		NAME	DATE	 TICO / TERMINAL SERVICE 66 CYPRESS RIDGE DR. RIDGELAND, SC 29936 (843) 717-2226
TOLERANCES:		DRAWN	MAL	
DECIMAL:		CHECKED		
XX .006		APPROVED		
XXX .003		DO NOT SCALE DRAWING		
X.XXX .005		THE SUBJECT MATTER SHOWN AND DESCRIBED IN THIS DRAWING AND ANY OTHER INFORMATION ADVANCED IN CONNECTION THEREWITH IS PROPRIETARY PROPERTY AND IS TO BE HELD IN STRICT CONFIDENCE BY YOU. ALL RIGHTS TO ANY PATENTS, DESIGN, TRADE MARKS, TRADE NAMES AND COPYRIGHTS, ETC. ARE RESERVED TO TICO TERMINAL SERVICES, INC.		
ANGULAR:		TITLE: ENGINE & TRANSMISSION		
FRACTIONAL:		m OVG j		
.1/32"		C 721200-B1 REV		
INTERPRET GEOMETRIC TOLERANCING PER: ASME Y14.5M-1994		SCALE: b48 WEIGHT: SHEET 1 OF 1		
MATERIAL				

TICO PRO-SPOTTER

ENGINE & TRANSMISSION 2016 ISB 200HP GEN V, AC & WATER VALVES

721200

ITEM	PART #	QTY/M	DESCRIPTION
N/S	620542 1	1	ENGINE-CUMMINS 2016-ISB, 200 HP@ 2600RPM, BLK HTR, DELCO STARTER/ALT,W-AC
N/S	60799-13	1	TRANSMISSION-RDS 3000 (ALLISON E021013)TC-411
N/S	620594	1	TCM-1st-5th, 1950/2800 RPM, GEN V
N/S	62192	1	SHIFTER-TRANSMISSION PUSH BUTTON GEN V
1	61572-5	1	MOUNT-FRONT ENGINE-FRAME
N/S	61572-9-R	1	BRACKET, UNFINISHED FRONT ENGINE MOUNT
N/S	80349	1	STUD, 5/16-18 X 1"LG WELD
2	61572-9 1	1	BRACKET, FRONT ENGINE MOUNT
3	62115	1	ENGINE CRADLE, ISB
N/S	60749-2	2	TOP PLATE CRADLE
N/S	61758-2	2	VERTICAL TUBE
N/S	61686-7	2	MOUNTING PLATE REAR ENGINE
N/S	60622-3	4	LIFT EYE
N/S	61686-23	2	REINFORCING PLATE
N/S	12132	1	MOUNT PLATE - DCU
N/S	61686-2	1	LONGITUDINAL TUBE
N/S	61572	1	MOUNT-FRONT ENGINE
N/S	61572-3	1	MOUNT PLATE - FRONT ISOLATOR
N/S	61572-4	1	ENGINE MOUNT PLATE - FRONT
N/S	61572-6	2	GUSSET - FRONT ENG MOUNT
N/S	61758-4	1	END PLATE
N/S	61686-24	1	LONGITUDINAL BAR
N/S	61686-18	1	LONGITUDINAL TUBE
N/S	61686-1	2	LONGITUDINAL TUBE
N/S	61686-19	1	LONGITUDINAL TUBE
N/S	61686-12	2	END PLATE
N/S	61686-21	4	END PLATE
N/S	61686-22	2	FLAT BAR
N/S	80349	5	STUD, 5/16-18 X 1"LG WELD
4	82418	8	BOLT, HEX 1/2-13 X 2 LG - FRONT MOUNTS
5	85038	8	NUTLOCK, 1/2-13
6	85093	16	WASHER, FLAT 1/2-13
7	60809	1	MOUNTING PLATE FRONT ENGINE MOUNT
8	80342	1	BOLT-DRILLED HEAD-M16 x 2 x 45mm, 10.9 SHCS
	80176	1	BOLT-M16 x 2 x 45mm, 10.9 SHCS
9	85094	1	WASHER, FLAT 5/8-11
10	85138	1	LOCKWASHER, 5/8-11
11	60814	4	ISOLATOR, FRONT ENGINE MOUNT DUAL SYSTEM
12	60113	2	WASHER, BOOM

REV	DATE	BY	SHEET
B-1	9/12/19	REB	1 OF 3

TICO MANUFACTURING - RIDGELAND, SC 29936

