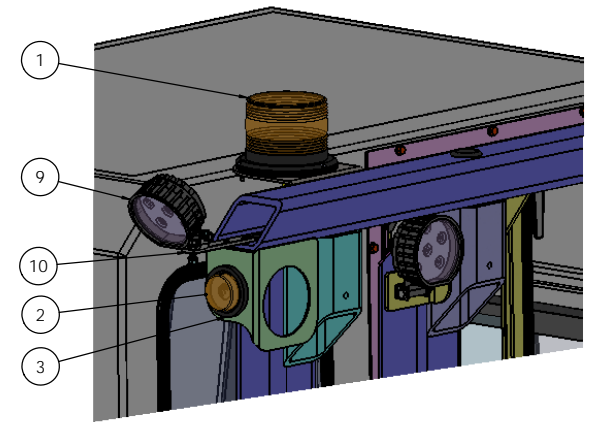
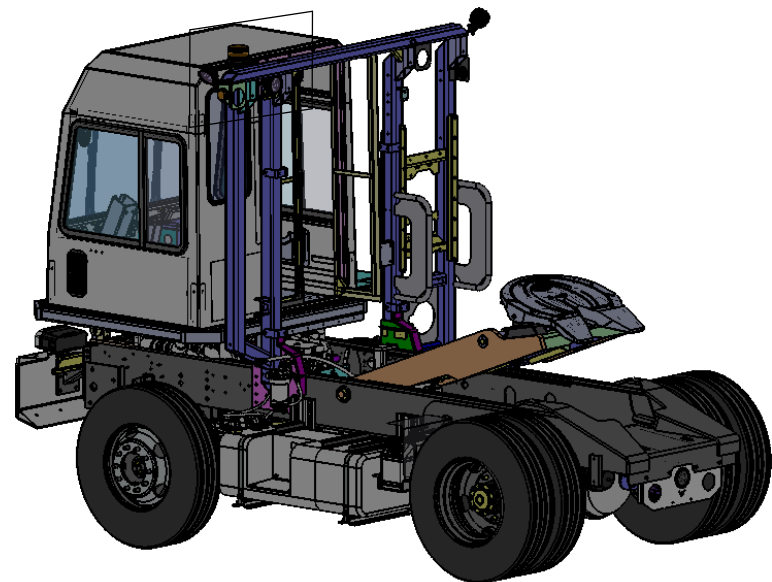
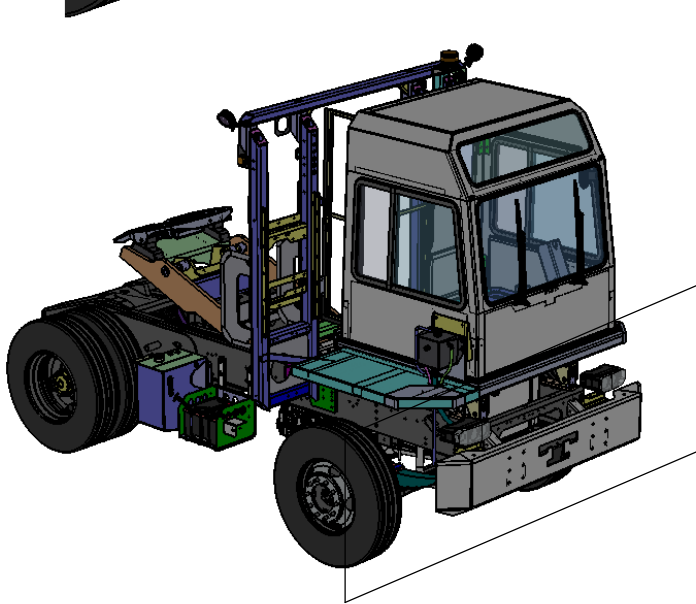


HEADLAMP DETAIL



CAB BAR LIGHTING CLUSTER LH VIEW



DIMENSIONS ARE IN INCHES TOLERANCES: DECIMALS .0000 FRACTIONS 1/32" & 1/16" ANGULAR ± 0.1° FUNCTIONAL ± 0.125" HORIZONTAL GEOMETRIC TOLERANCING PER ASME Y14.5M-1994	NAME: MAL DATE: 10/11/2018 DRAWN: MAL CHECKED: MAL APPROVED: MAL DOTTED SCALE DRAWING THE SUBJECT MATTER SHOWN AND DESCRIBED IN THE DRAWING AND ANY OTHER INFORMATION IS UNWARRANTED IF NOT REFERRED TO AND AUTHORIZED BY THE ORIGINAL MANUFACTURER. THIS DRAWING IS THE PROPERTY OF WIPAC AND IS NOT TO BE REPRODUCED OR TRANSMITTED IN ANY FORM OR BY ANY MEANS, ELECTRONIC OR MECHANICAL, INCLUDING PHOTOCOPYING, RECORDING, OR BY ANY INFORMATION STORAGE AND RETRIEVAL SYSTEM, WITHOUT THE WRITTEN PERMISSION OF WIPAC.	TITLE: LIGHTS & MOUNTING-12V, 2016, 65-72" CAB, 3 FLOODS SIZE: D DWG. NO.: 721199-A1 SCALE: 1:32 WEIGHT:	WIPAC WIPAC MANUFACTURING 66 CYPRUS ROAD DR. ROCKLEDGE, NC 27856 (843) 717-2226 REV:
--	--	---	---

D 721199-A1

TICO PRO-SPOTTER			
LIGHTS & MOUNTING-12V, 65-72", 3 LED FLDS, HAMSAR HDLTS, GALV BRKTS			721199
ITEM	PART #	QTY/M	DESCRIPTION
1	91319	1	STROBE LIGHT ASS'Y, LED, TRUCKLITE
NS	80209	3	LOCKNUT, #10-32
NS	80196	3	SCREW, P H 10-32 x 1" LG
2	40157-1	2	LIGHT-SIDE MARKER 2-1/2" DIA - AMBER
3	40157-4	2	GROMMET-LIGHT 2-1/2" DIA
4	40156-1	2	LIGHT-STOP/TAIL/TURN RED 4" DIA
5	40156-2	2	GROMMET-LIGHT 4" DIA
NS	910332	2	HARNESS ADAPTER, LED/INCAND
NS	91215	1	DOME LIGHT-LED
NS	80196	3	SCREW, P H 10-32 x 1" LG
6	121801	2	BRACKET - HEADLIGHT, FORMED, GALV
NS	82394	4	BOLT, HEX 3/8-16 x 1 1/2" LG
NS	85113	8	WASHER, FLAT 3/8
NS	85025	4	LOCKNUT - NYLOCK, 3/8-16
7	920018	1	HEAD LAMP ASSY-LH, HAMSAR, LED TURN SIGNAL
8	920022	1	HEAD LAMP ASSY-RH, HAMSAR, LED TURN SIGNAL
	920018-1	REF	BULB, HIGH/LOW BEAM HEADLIGHT
	920028	REF	BULB, LED AMBER, 360° CONFIGURATION, HAMSAR
NS	85104	2	WASHER, 1/2 THRU HARDENED
NS	85027	2	NUT, NYLOCK, 1/2-13, GRD 8
9	91216	3	LIGHT, WORK 12V LED FLOOD
	91219	REF	LIGHT, WORK 12V LED
10	50185	2	BAR-LIGHT EXTENSION
NS	82383	2	BOLT, HEX 3/8-16 x 1 1/4" LG
NS	85113	4	WASHER, FLAT 3/8
	85025	REF	LOCKNUT, 3/8-16 NYLOCK
NS	91154	1	FLASHER-HEAVY DUTY
	620544-1	REF	WIRE HARNESS-65-72" CAB GUARD EXTERIOR LIGHTS, SEALED
REV	DATE	BY	SHEET
A	8/16/2019	MAL	1 OF 1