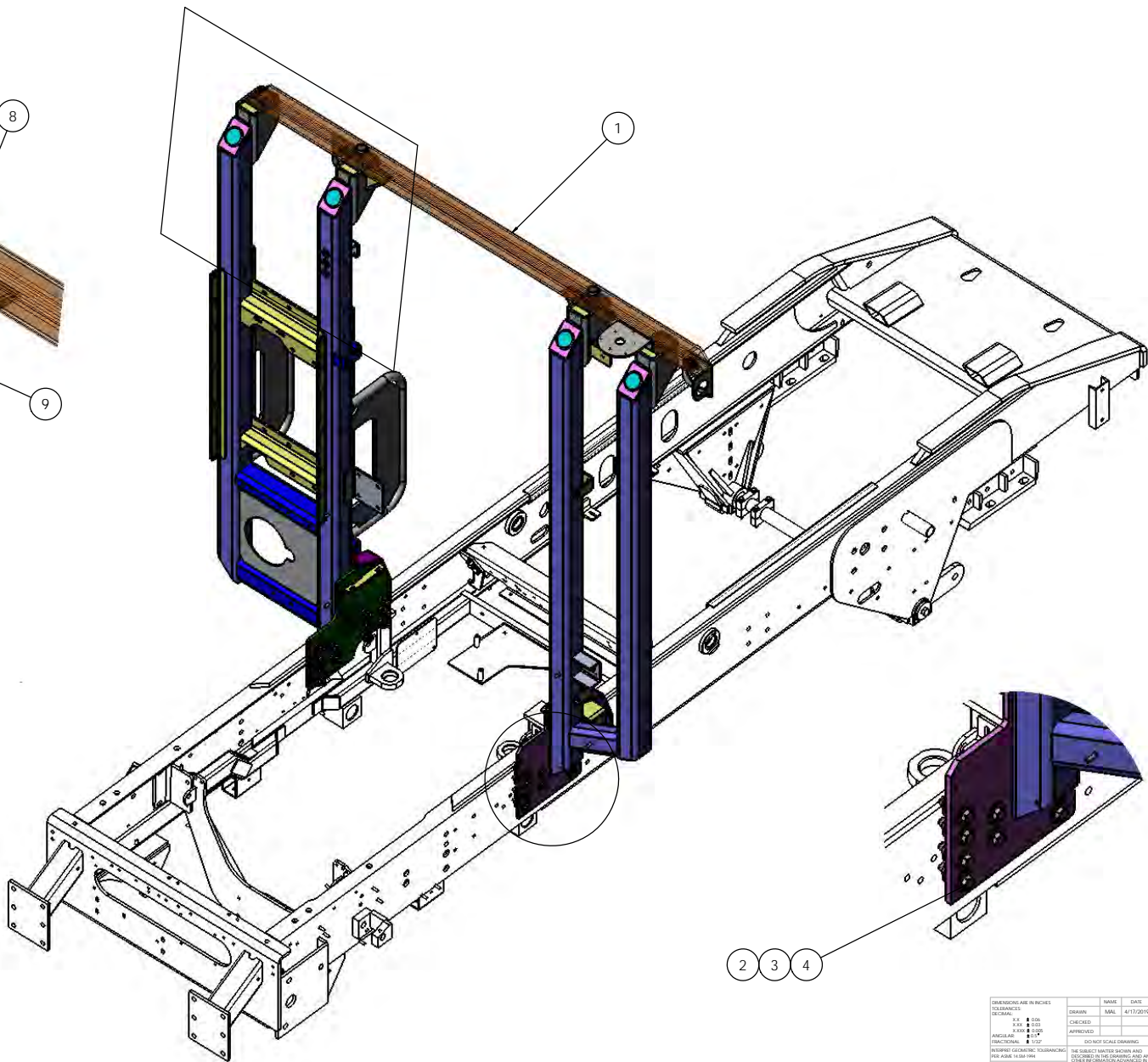


DETAIL
SCALE 1 : 4



DIMENSIONS ARE IN INCHES		NAME	DATE
TOLERANCES	FRAMING	DRAMAN	MAL 4/13/2019
DECIMAL	± .006		
	± .015		
	± .030		
ANGULAR	± 0.1°		
FRACTIONAL	± 1/32"		
MATERIAL GEOMETRIC TOLERANCING PER ASME Y14.5M-1994		APPROVED	
THE SUBJECT MATTER SHOWN AND DESCRIBED IN THE DRAWING AND ANY OTHER INFORMATION CONTAINED HEREIN IS THE PROPERTY OF WACO AND IS TO BE USED ONLY FOR THE PROJECT AND FOR ALL RIGHTS TO ANY PATENTING, COPYRIGHT, TRADE MARK, TRADE NAME AND/OR OTHER INTELLECTUAL PROPERTY RIGHTS ARE RESERVED TO WACO MANUFACTURING, INC.			
TITLE		WACO MANUFACTURING INC. CYPRESS, TEXAS OR ROSELAND, NC 27068 (843) 717-2226	
SIZE		DWG. NO. 721185-A1 REV	
SCALE 1:24 (WEIGHT)		SHEET 1 OF 1	

D 721185-A1

