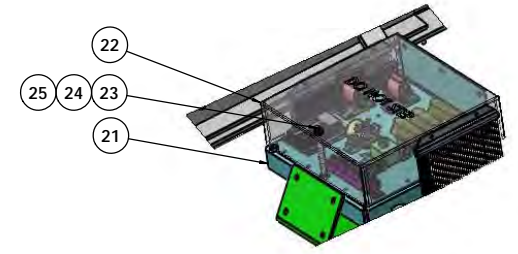
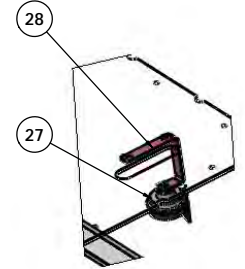


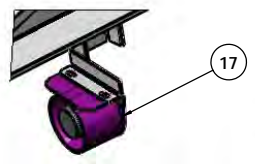
BATTERY BOX



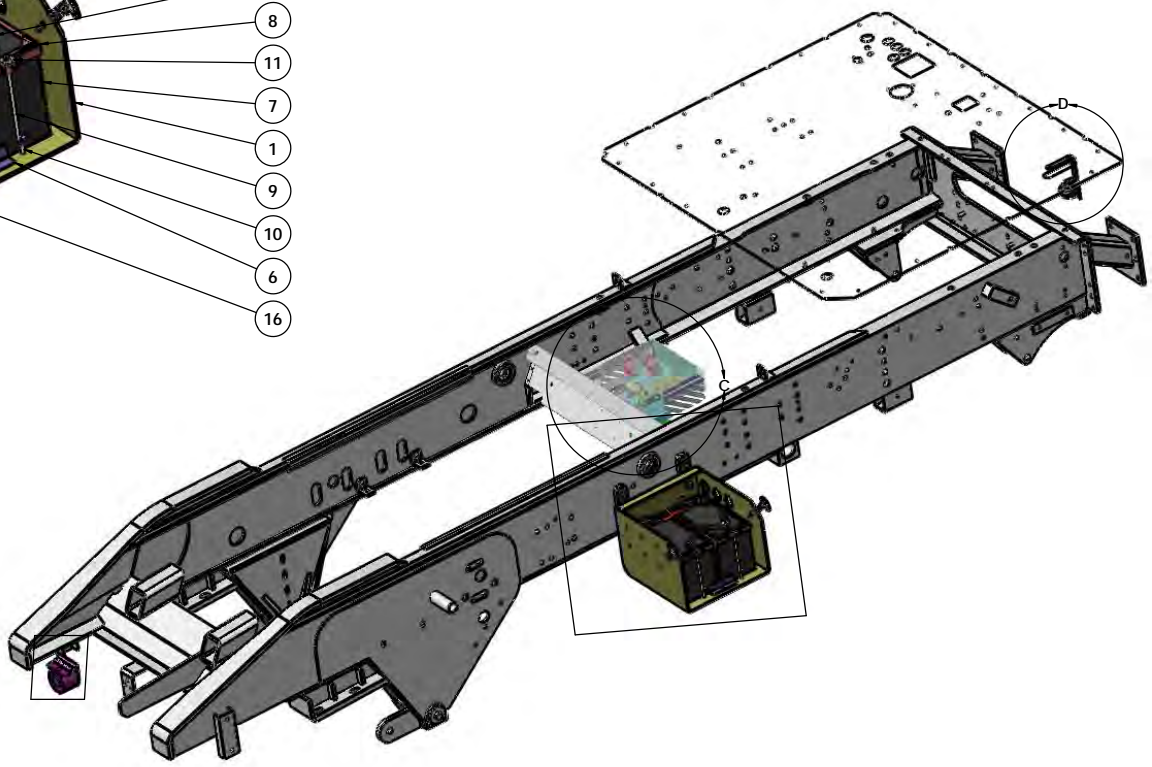
PDC ASSEMBLY & COVER



ELECTRIC HORN



17



BATTERY & WIRING  
PAGE 1 DETAIL VIEWS  
PAGE 2 WIRING

DIMENSIONS ARE IN INCHES		NAME	DATE	WCO MANUFACTURING 88 CYPRUS ROAD DR. ROCKLAND, NC 29086 (843) 717-2226
DESIGNED	BY	MAL	6/19/2017	
CHECKED	BY			TITLE: BATTERY & WIRING SIZE: D DWG. NO: 721182-A1 REV:
APPROVED	BY			
UNLESS OTHERWISE SPECIFIED: FINISH: N/A TOLERANCES: FRACTIONAL: 1/16"		THE SUBJECT MATTER SHOWN AND DESCRIBED IN THE DRAWING AND ANY OTHER INFORMATION CONTAINED HEREIN IS THE PROPERTY OF WCO. ALL RIGHTS TO ANY PATENTS, TRADEMARKS, OR COPYRIGHTS ARE RESERVED TO WCO. TRADEMARKS AND COPYRIGHTS NOTED AS APPLICABLE TO WCO TRADEMARK SERVICE, INC.		SCALE: 1:24 [WEIGHT: 2887.22] SHEET 1 OF 1

TICO PRO-SPOTTER			
BATTERY & WIRING, 2016-ISB, 128" WB, GALV BASE			721182
ITEM	PART #	QTY/M	DESCRIPTION
1	200338	1	BATTERY BOX ASSS'Y, 2015-ISB/QSB-IV, GALV
2	20030-11	2	RUBBER LATCH ASSY
3	82485	4	BOLT, 5/8 -11 x 3.5 Lg - BATTERY BOX to FRM
4	85028	4	LOCKNUT NYLOK, 5/8-11
5	85094	8	WASHER, FLAT 5/8
6	12070	1	BRACKET, BATTERY STOP
7	91814	2	BATTERY-31 SERIES, 730 CCA, 12V
8	20075	2	BATTERY HOLD DOWN
9	20012	4	ASSEMBLY, J-BOLT
10	20077	4	COUPLING, EYE 1/4-20
11	20012-4	4	WASHER, .25 x 1.25 x .88 GRAY PLASTIC
12	85111	8	WASHER, FLAT 1/4
13	82359	4	BOLT, HEX 1/4-20 X 3/4
14	85133	4	LOCKWASHER, 1/4
15	90120	2	GROMMET
16	40210-2	2	RUBBER MAT
17	91250	1	BACKUP ALARM ASSEMBLY, STANDARD, VELVAC
NS	40198		BACKUP ALARM, STANDARD, VELVAC
NS	80129	2	WASHER, FENDER 1/4-20 x 1 1/4 OD
NS	85111	4	WASHER, FLAT 1/4
NS	85023	2	LOCKNUT, HEX 1/4-20 NYLOK
NS	62167	1	HARNESS-BACK UP ALARM
18	90843	1	CABLE - 3/0 RED BATTERY JUMPER 8.75" LG
19	90844	1	CABLE - 3/0 BLK BATTERY JUMPER 8.75" LG
NS	910325	1	CABLE - 3/0 RED BATTERY to STARTER 48" Lg
NS	91525	1	CABLE - 3/0 RED BATTERY to PDC 41-1/2" Lg
NS	910326	1	CABLE - 3/0 BLK BATTERY to PDC 51" LG
NS	90837	1	CABLE - 3/0 BLK BATTERY to STARTER 65.5" LG
NS	90877	1	CABLE - 1/0 RED LIFT PUMP to PDC 52 WIRE
20	90957	2	BATTERY BUSS BAR
NS	82371	1	BOLT, HEX 5/16-18 X 1" LG
NS	85002	1	NUT, HEX 5/16-18
NS	85112	2	FLATWASHER 5/16
NS	85134	2	LOCKWASHER, 5/16
<b>REV</b>	<b>DATE</b>	<b>BY</b>	<b>SHEET</b>
A	8/16/2019	MAL	1 OF 2

TICO PRO-SPOTTER				
BATTERY & WIRING, 2016-ISB, 128" WB, GALV BASE				721182
ITEM	PART #	QTY/M	DESCRIPTION	
NS	620548	1	HARNESS-CAB PDC, ISB, SEPARATE W/L, CNTR REVERSE, AUX POWER	
NS	61558	1	WIRE HARNESS - CAB POWER	
NS	61521	1	WIRE HARNESS - CAB ACC. (1 FANS/DOME LGT)	
NS	620497-2	1	HARNESS - EXTERIOR LIGHTS, SEPARATE WORKLIGHTS, BRAID	
21	62410	1	HARNESS - PDC-CHASSIS ISB 15	
NS	61559	1	HARNESS, SPITTER	
NS	62084	1	WIRE HARNESS - TAIL LIGHTS 128" WB	
NS	91132	1	WIRE HARNESS-CAB GND	
NS	910327	1	WIRE HARNESS - CHASSIS PDC TO FRAME	
NS	82383	2	BOLT, HEX 3/8-16 x 1 1/4 Lg	
NS	85113	4	WASHER, FLAT 3/8	
NS	85035	1	LOCKNUT, HEX 3/8-16	
NS	85135	1	LOCKWASHER 3/8	
NS	85111	2	WASHER, FLAT 1/4	
NS	85133	2	LOCKWASHER 1/4	
NS	85012	2	NUT - 1/4-20	
22	91938	1	COVER - PDC PANEL	
23	61597	1	SPACER	
24	85113	4	WASHER, FLAT 3/8	
25	85135	1	LOCKWASHER 3/8	
26	85014	2	NUT, HEX 3/8-16	
NS	90870	14	RELAY	
NS	91021	1	FUSE 5A - F17	
NS	91023	3	FUSE 10A - F4/F15/F19	
NS	91025	15	FUSE 20A - F2/F3/F5/F7/F8/F9/F10/F14/F18/F20	
NS	91027	1	FUSE 30A - F6	
27	90207	1	HORN, ELECTRIC	
28	62265	1	BRACKET - C, FRAME WIRING STANDOFF	
NS	91889	36 IN	RUBBER, TRIM EDGE, HOT MELT ADHESIVE	
NS	42292	1	COVER -BATTERY RUBBER	
NS	20012-4	2	WASHER-PLASTIC BATTERY HOLD DOWN	
<b>REV</b>	<b>DATE</b>	<b>BY</b>		<b>SHEET</b>
A	8/16/2019	MAL		2 OF 2