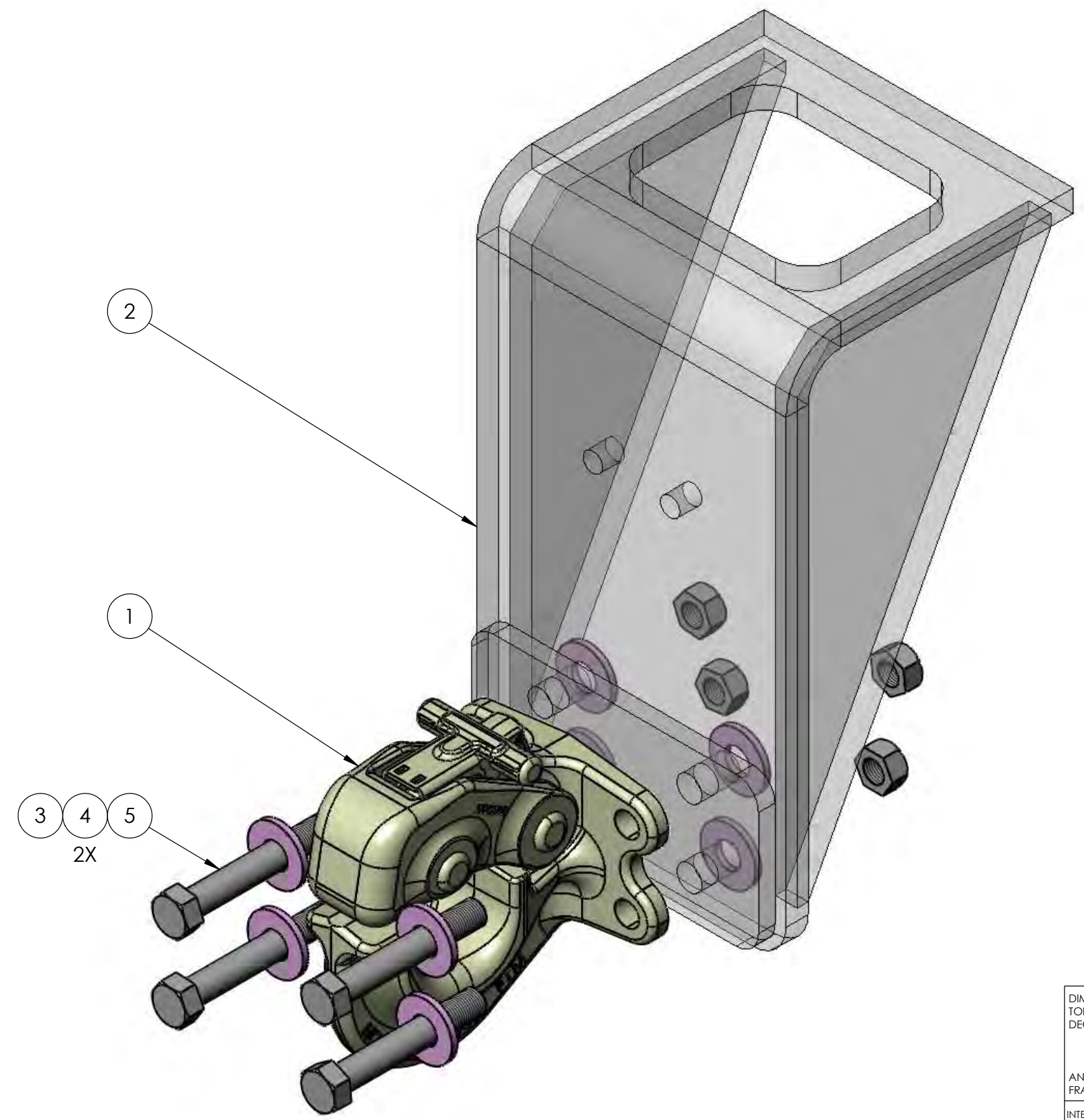



8 7 6 5 4 3 2 1

D
C
B
A

D
C
B
A



DIMENSIONS ARE IN INCHES		NAME	DATE	 TICO/TERMINAL SERVICE 66 CYPRESS RIDGE DR. RIDGELAND, SC 29936 (843) 717-2226		
TOLERANCES:		DRAWN	SMB 09/09/2015			
DECIMAL:		REVISED	MPC 08/08/2016			
X.X ± 0.06 X.XX ± 0.03 X.XXX ± 0.005		APPROVED				
ANGULAR: ± 0.5°		DO NOT SCALE DRAWING		TITLE:		
FRACTIONAL ± 1/32"				ASSEMBLY, PINTLE HOOK		
INTERPRET GEOMETRIC TOLERANCING PER: ASME 14.5M-1994	THE SUBJECT MATTER SHOWN AND DESCRIBED IN THIS DRAWING AND ANY OTHER INFORMATION ADVANCED IN CONNECTION THEREWITH, IS PROPRIETARY PROPERTY AND IS TO BE HELD IN STRICT CONFIDENCE BY YOU. ALL RIGHTS TO ANY INVENTIONS, DESIGNS, TRADE MARKS, TRADE NAMES AND COPYRIGHTS DISCLOSED ARE RESERVED TO TICO TERMINAL SERVICES, INC.			SIZE	DWG. NO.	REV
MATERIAL				B	721179-A1	
FINISH						
THICKNESS						
				SHEET 1 OF 1		

8 7 6 5 4 3 2 1

