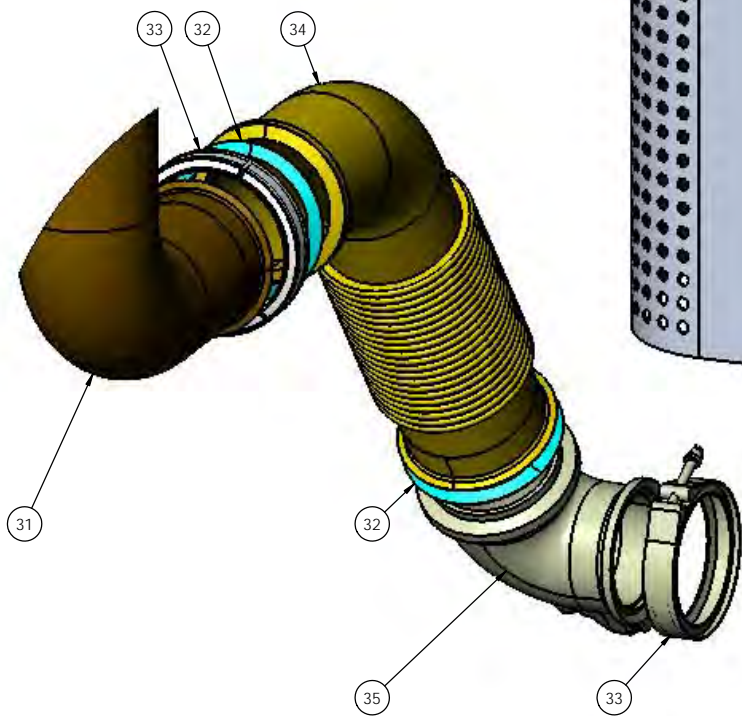
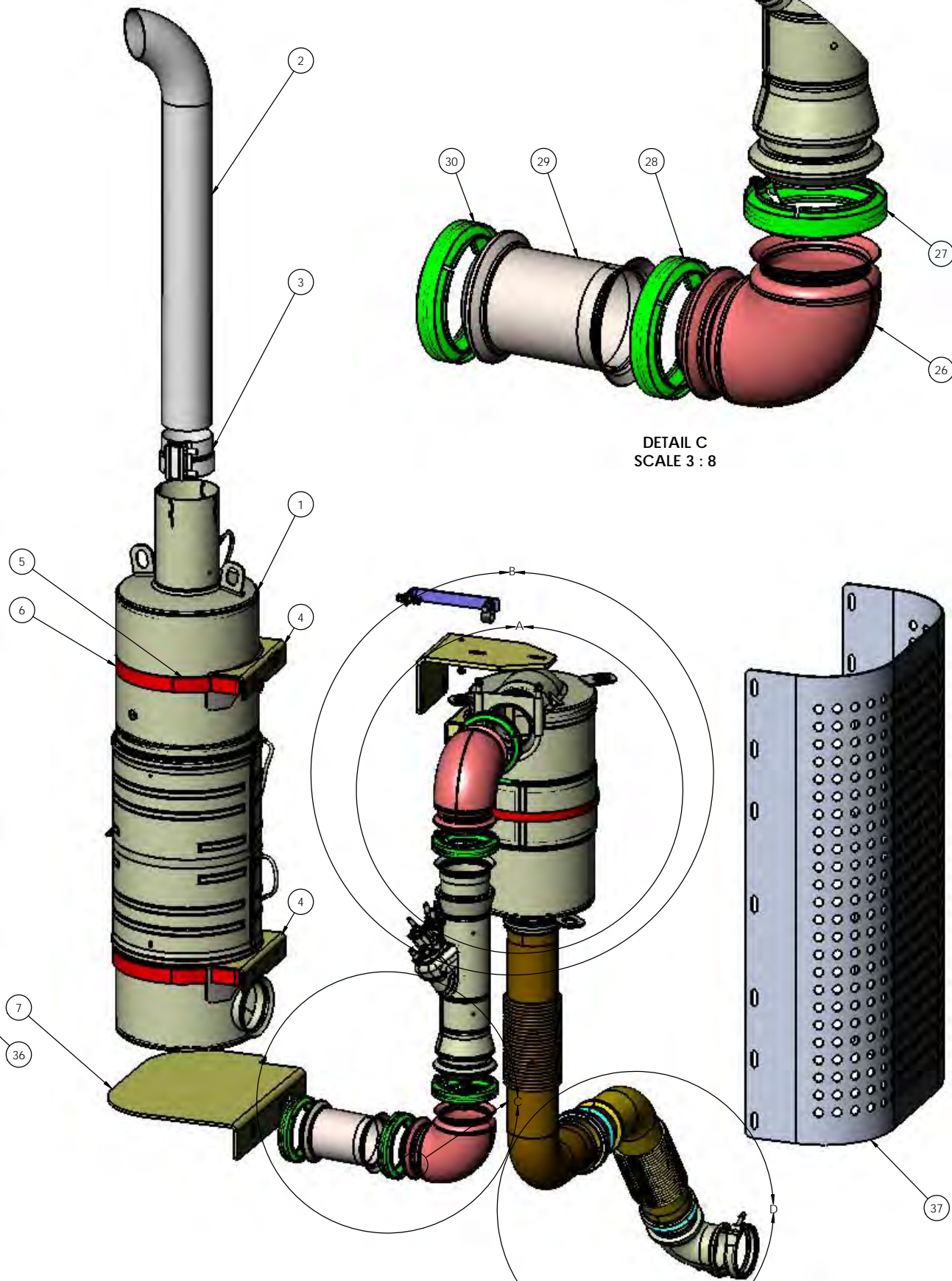
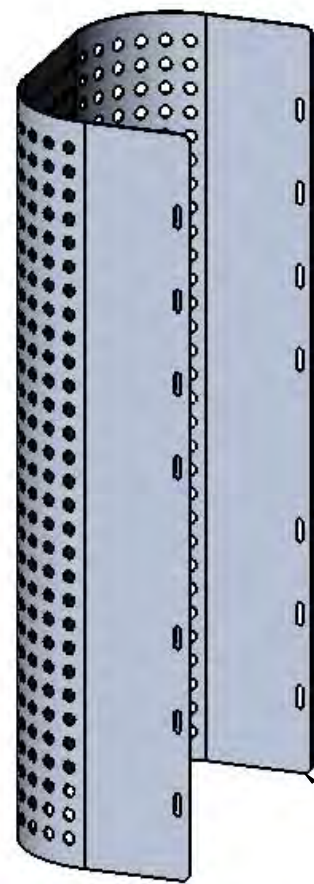


DETAIL A
SCALE 4 : 11

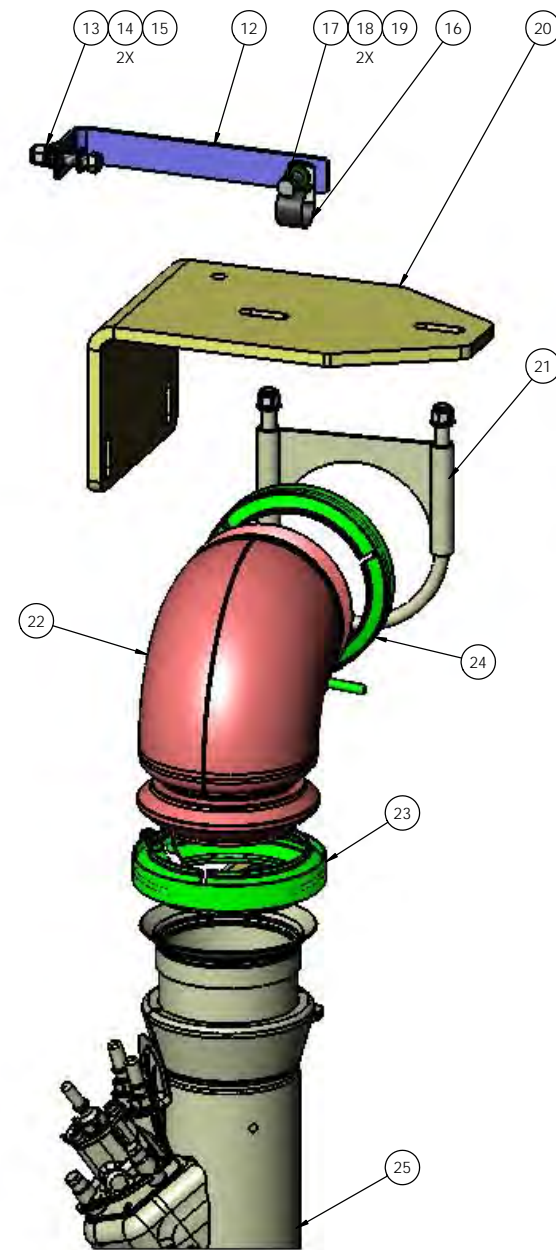


DETAIL D
SCALE 3 : 8



DETAIL C
SCALE 3 : 8

DETAIL B
SCALE 3 : 8



DIMENSIONS ARE IN INCHES TOLERANCES: DECIMAL: X.X ± 0.06 X.XX ± 0.03 X.XXX ± 0.005 ANGULAR: FRACTIONAL: ± 1/32"		NAME: PW DATE: 07/14/2016 REVISED: MPC DATE: 08/23/2016 APPROVED:	TICO/TERMINAL SERVICE 46 CYPRESS RIDGE DR. RIDGELAND, SC 29936 (843) 717-2226
INTERPRET GEOMETRIC TOLERANCING PER: ASME Y14.5M-1994		DO NOT SCALE DRAWING THE SUBJECT MATTER SHOWN AND DESCRIBED IN THIS DRAWING AND ANY OTHER INFORMATION ADVANCED IN CONNECTION THEREWITH IS PROPRIETARY PROPERTY AND IS TO BE HELD IN STRICT CONFIDENCE BY YOU. ALL RIGHTS TO ANY INVENTIONS, DESIGNS, TRADE MARKS, TRADE NAMES AND COPYRIGHTS DISCLOSED ARE RESERVED TO TICO TERMINAL SERVICES, INC.	
FINISH:	THICKNESS:	TITLE: ASSEMBLY, EXHAUST SYSTEM ISB SIZE: D DWG. NO.: 721159-B1 REV:	SHEET 1 OF 1

TICO PRO-SPOTTER				
S/N:		ASSEMBLY, EXHAUST SYSTEM, ISB		721159
ITEM	PART #	QTY/M	DESCRIPTION	
	721159-B1	REF	ASSEMBLY, EXHAUST SYSTEM, ISB	
1	620554	1	SCR (SELECTIVE CATALYTIC REACTOR)	
2	620468	1	STACK, EXHAUST, ALUMINIZED, 30" LONG	
3	61894	1	CLAMP, LAP JOINT, STAINLESS STEEL, 4"	
4	121363	2	WELDMENT, BRACKET, SCR, ISB 2016	
5	420316	2	CLAMP, 4.5"BAND SS EXHAUST	
6	420315	2	CLAMP, 7"BAND SS EXHAUST	
7	12886	1	BRACKET, SCR	
NOT SHOWN	82548	1	BOLT, HEX HEAD, 3/8-16 X 5 LONG	
NOT SHOWN	85091	2	WASHER, FLAT, 3/8	
NOT SHOWN	85025	1	LOCKNUT, NYLON, 3/8-16	
8	62294	1	DPF (DIESEL PARTICULATE FILTER)	
9	420317	4	CLAMP, BAND, EXHAUST, STAINLESS STEEL, 5"	
10	121360	2	BRACKET, DPF	
NOT SHOWN	82383	8	BOLT, HEX HEAD, 3/8-16 X 1-1/4 LONG (CLAMP TO CAB BAR)	
NOT SHOWN	85091	16	WASHER, FLAT, 3/8 (CLAMP TO CAB BAR)	
NOT SHOWN	85135	8	LOCKWASHER, 3/8-16 (CLAMP TO CAB BAR)	
11	12786	1	BRACKET, BASE SUPPORT, DPF	
NOT SHOWN	82559	2	BOLT, HEX HEAD, 3/8-16 X 5-1/4 LONG	
NOT SHOWN	85091	4	WASHER, FLAT, 3/8	
NOT SHOWN	85025	2	LOCKNUT, NYLON, 3/8-16	
12	62260	1	BRACKET, STANDOFF, 1 X 1-3/4 X 7-1/2	
13	82382	1	BOLT, HEX HEAD, 5/16-18 X 1-1/4 LONG	
14	85090	2	WASHER, FLAT, 5/16	
15	85024	1	LOCKNUT, NYLON, 5/16-18	
16	40593	1	P-CLAMP, 1"	
17	82371	1	BOLT, HEX HEAD, 5/16-18 X 1 LONG	
18	85090	4	WASHER, FLAT, 5/16	
19	85024	2	LOCKNUT, NYLON, 5/16-18	
20	12787	1	BRACKET, MOUNT, DRT & SNORKEL	
NOT SHOWN	82394	2	BOLT, HEX HEAD, 3/8-16 X 1-1/2 LONG	
NOT SHOWN	85091	4	WASHER, FLAT, 3/8	
NOT SHOWN	85025	2	LOCKNUT, NYLON, 3/8-16	
21	42243	1	CLAMP, MUFFLER, 4-1/2"	
22	62297	1	ELBOW, 4" SPHERICAL FLARE TO 5" SPHERICAL FLANGE (DPF TO DRT)	
23	61760	1	CLAMP, V-BAND, 5" (ELBOW TO DRT)	
NOT SHOWN	61761	1	GASKET, 5" (ELBOW TO DRT)	
24	62330	1	CLAMP, V-BAND, 4" (DPF TO ELBOW)	
NOT SHOWN	62331	1	GASKET, 4" (DPF TO ELBOW)	
REV	DATE	BY		SHEET
B	08/22/2016	MPC		1 OF 1
TICO MANUFACTURING - RIDGELAND, SC 29936				

