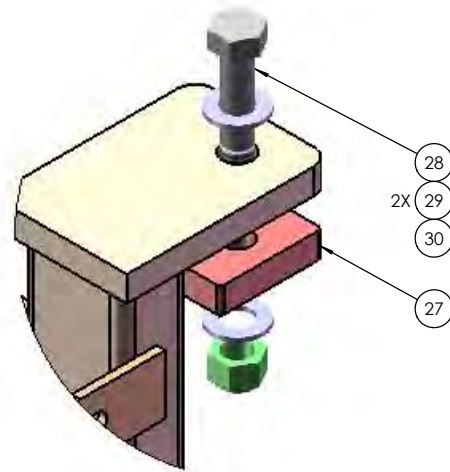
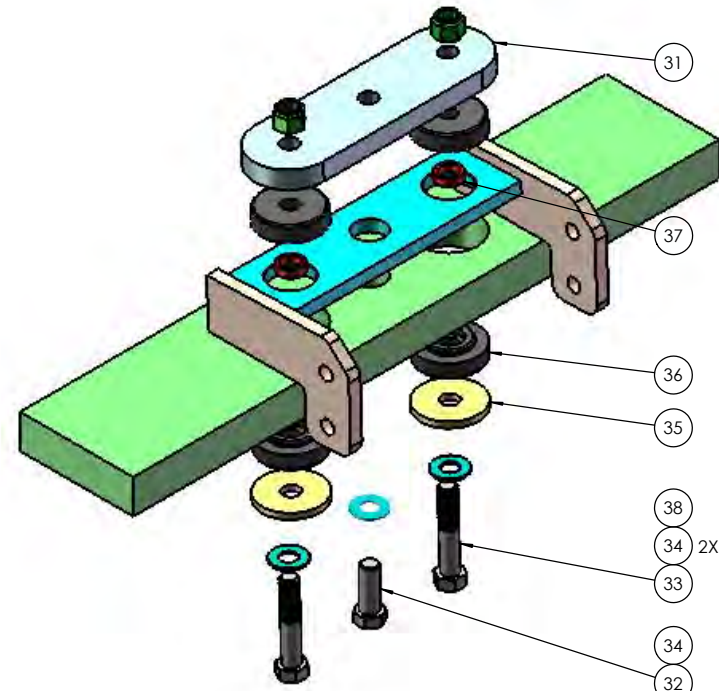


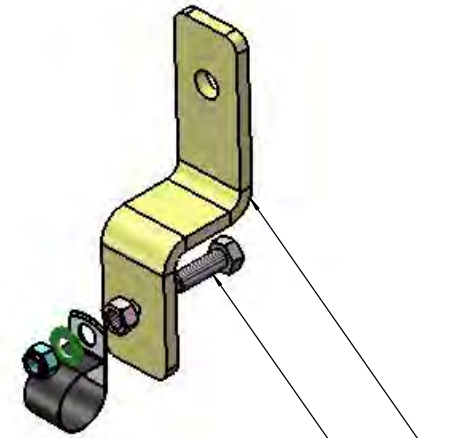
DETAIL D
SCALE 1 : 1



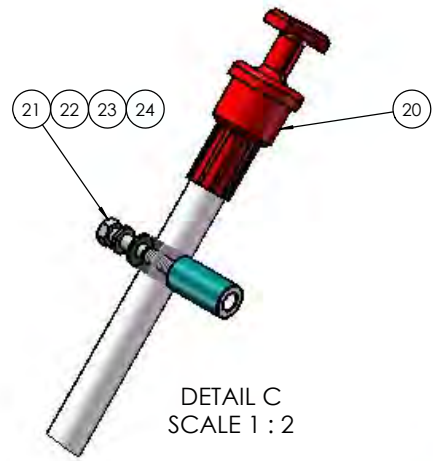
DETAIL F
SCALE 1 : 2



DETAIL G
SCALE 1 : 3



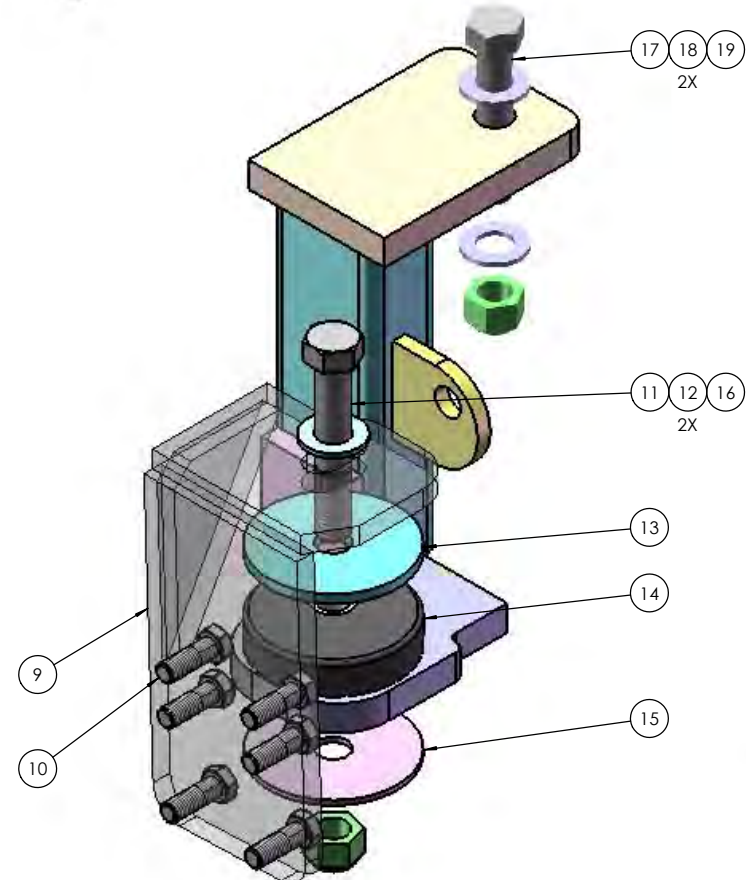
DETAIL H
SCALE 2 : 3



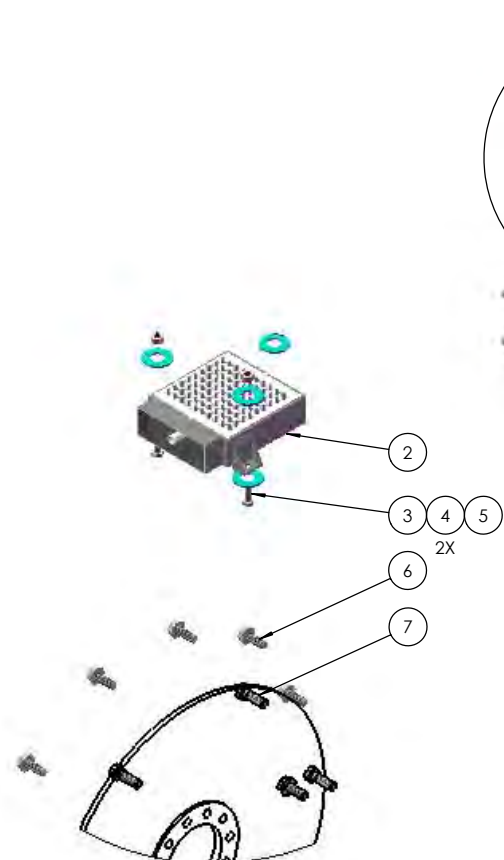
DETAIL C
SCALE 1 : 2



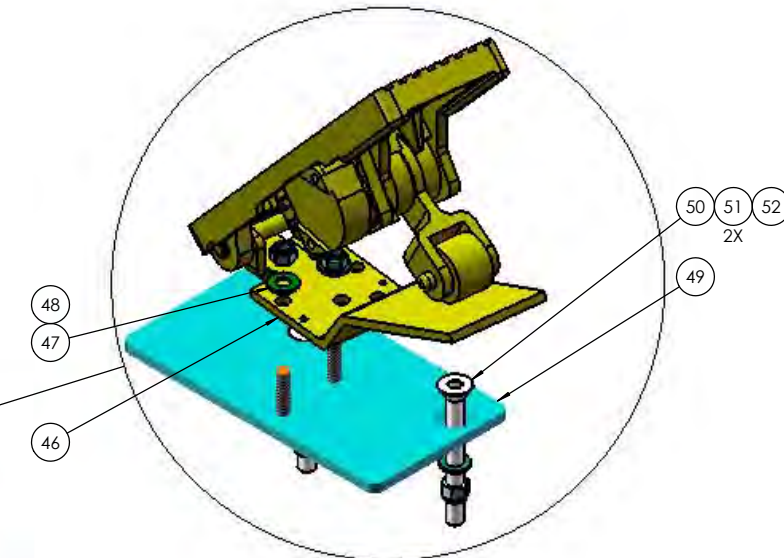
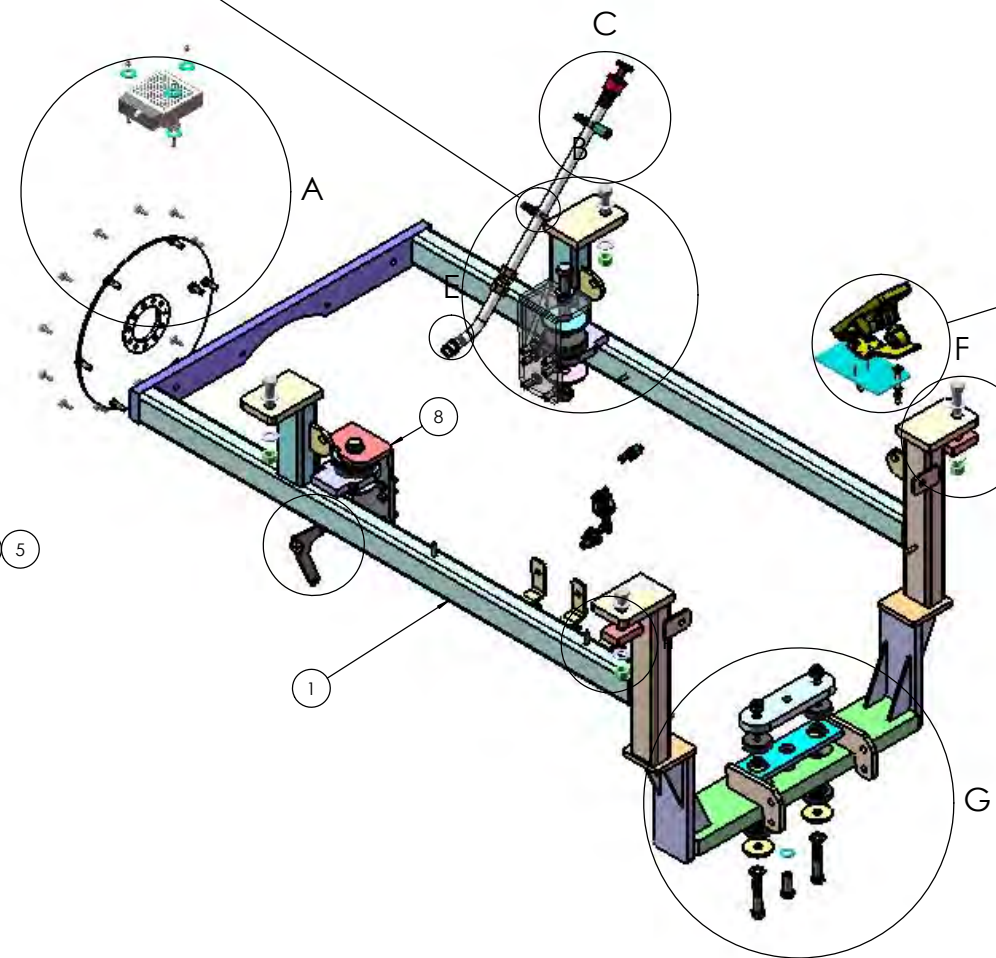
DETAIL E
SCALE 1 : 2



DETAIL B
SCALE 1 : 2



DETAIL A
SCALE 1 : 4



DETAIL I
SCALE 1 : 2

NOTE:
ENGINE & TRANSMISSION NOT SHOW FOR CLARITY

DIMENSIONS ARE IN INCHES		NAME	DATE	TICO/TERRINAL SERVICE 44 CYPRESS RIDGE DR. RIDGELAND, SC 29936 (843) 717-2226
TOLERANCES: DECIMAL: XX ± 0.04 XXX ± 0.03 XXXX ± 0.005		DRAWN	SMB	
ANGULAR: FRACTIONAL: ± 1/32"		REVISOR	MPC	06/23/2016
INTERPRET GEOMETRIC TOLERANCING PER: ASME Y14.5M-1994		APPROVED		
MATERIAL:		DO NOT SCALE DRAWING		
FINISH:		THE SUBJECT MATTER SHOWN AND DESCRIBED IN THIS DRAWING AND ANY OTHER INFORMATION ADVANCED IN CONNECTION THEREWITH IS PROPRIETARY PROPERTY AND IS TO BE HELD IN STRICT CONFIDENCE BY YOU. ALL RIGHTS TO ANY INVENTIONS, DESIGNS, TRADE MARKS, TRADE NAMES AND COPYRIGHTS DISCLOSED ARE RESERVED TO TICO/TERRINAL SERVICES, INC.		
THICKNESS:		TITLE:		ENGINE & TRANSMISSION
		SIZE	DWG. NO.	REV
		D	72115-F1	
				SHEET 1 OF 1

TICO PRO-SPOTTER				
S/N:		ASSEMBLY, ENGINE & TRANSMISSION, QSB III		72115
ITEM	PART #	QTY/M	DESCRIPTION	
	72115-F1	REF	ASSEMBLY, ENGINE & TRANSMISSION, QSB III	
	60023	REF	GOVERNOR, AIR D-2	
NOT SHOWN	62015	1	ENGINE, QSB III, 6.7, 173 HP, 2200 RPM, 12 VOLT	
NOT SHOWN	60984	1	TRANSMISSION, ALLISON, 3500 SERIES, TC-417	
NOT SHOWN	62192	1	SHIFTER, TRANSMISSION, PUSH BUTTON	
1	62210	1	ENGINE CRADLE, QSB TIER III	
2	62184	1	TCM, 2ND THROUGH 5TH SPEED	
3	82359	3	BOLT, HEX HEAD, 1/4-20 X 3/4 LONG	
4	85133	6	WASHER, FLAT, 1/4	
5	85012	3	LOCKNUT, HEX HEAD, 1/4-20	
6	60799-12	1	KIT, MOUNTING, TRANSMISSION	
7	60799-6	6	BOLT, HEX HEAD, 10MM-1.5 X 30, 10.9	
8	60981	1	MOUNT, REAR ENGINE, LEFT HAND	
9	60982	1	MOUNT, REAR ENGINE, RIGHT HAND	
10	80240	12	BOLT, HEX HEAD, M12 X 1.5 X 35MM, 10.9	
11	82530	2	BOLT, HEX HEAD, 3/4-10 X 4 1/2 LONG	
12	85095	2	WASHER, 3/4-10	
13	60740	2	WASHER, 3/4-10 (REAR ENGINE MOUNT)	
14	60136	2	ISOLATOR, REAR ENGINE	
15	60740-1	2	WASHER, 3/4-10 (REAR ENGINE MOUNT)	
16	85029	2	LOCKNUT, NYLON, 3/4-10	
17	82508	2	BOLT, 3/4-16 X 4 LONG	
18	85095	4	WASHER, 3/4-16	
19	85029	2	LOCKNUT, NYLON, 3/4-10	
20	61574	1	DIPSTICK, TRANSMISSION	
21	82437	1	BOLT, HEX HEAD, 5/16-18 X 2 1/2 LONG	
22	85090	6	WASHER, 5/16-18	
23	42197	2	P-CLAMP, 3/4"	
24	12091	1	SPACER, DIPSTICK CLIP	
25	85024	1	LOCKNUT, NYLON, 5/16-18	
26	62126	1	CLIP, DIPSTICK RETAINER	
27	42070	2	SPACER, ENGINE CRADLE	
28	82519	2	BOLT, 3/4-16 X 4 1/4 LONG	
29	85095	4	WASHER, 3/4-16	
30	85029	2	LOCKNUT, NYLON, 3/4-10	
REV	DATE	BY		SHEET
F	07/25/2016	MPC		1 OF 3

TICO MANUFACTURING - RIDGELAND, SC 29936

TICO PRO-SPOTTER				
S/N:		ASSEMBLY, ENGINE & TRANSMISSION, QSB III		72115
ITEM	PART #	QTY/M	DESCRIPTION	
31	60809	1	MOUNTING PLATE, FRONT ENGINE	
32	80341	1	BOLT, M16 X 2 X 45MM, 12 PT HEAD, 10.9	
33	82474	2	BOLT, 5/8-11 X 3 1/4 LONG	
34	85094	3	WASHER, 5/8-11	
35	60113	2	WASHER, 5/8-11 X 3 OUTER DIAMETER	
36	60814	4	ISOLATOR, FRONT ENGINE MOUNT	
37	10971	2	SPACER, FRONT ENGINE MOUNT	
38	85028	2	LOCKNUT, NYLON, 5/8-11	
39	60956	3	BRACKET, TRANSMISSION HOSE	
40	82382	3	BOLT, HEX HEAD, 5/16-18 X 1 1/4 LONG	
41	85024	3	LOCKNUT, NYLON, 5/16-18	
42	40593	3	P-CLAMP, 1"	
43	85090	3	WASHER, 5/16-18	
44	85024	3	LOCKNUT, NYLON, 5/16-18	
45	60747	1	PEDAL ACCELERATOR, ELECTRONIC QSB	
46	85090	2	WASHER, 5/16	
47	85024	2	LOCKNUT, NYLON, 5/16	
48	90632	1	MOUNTING PLATE, ELECTRIC THROTTLE	
49	83318	2	SCREW, SC HC, 3/8-16 X 3 1/2 LONG	
50	85113	4	WASHER, FLAT, 3/8-16	
51	85036	2	LOCKNUT, NYLON, 3/8-16	
NOT SHOWN	91069	1	SENSOR, WATER TEMPERATURE GAUGE	
NOT SHOWN	91068	1	SENSOR, OIL PRESSURE GAUGE	
NOT SHOWN	40467	1	FITTING, TEE STREET, 1/8 NPT	
NOT SHOWN	60061	1	PRESSURE STAT, 10 PSI	
NOT SHOWN	62101	1	BRACKET, ANGLE FOR HOSE, QSB TIER III	
NOT SHOWN	61680	1	HARNESS, ENGINE CRADLE	
NOT SHOWN	61513	1	HARNESS, TRANSMISSION, EXTERIOR	
NOT SHOWN	91134	1	WIRE, 6GA, GROUND 31/3/4", ENGINE/FRAME	
NOT SHOWN	90798	1	CABLE, POSITIVE, 2GA RED X 42", 5/16-3/8 ENDS	
NOT SHOWN	91133	1	CABLE, GROUND (ALTERNATOR TO STARTER)	
REV	DATE	BY		SHEET
F	07/25/2016	MPC		2 OF 3

