

D

D

C

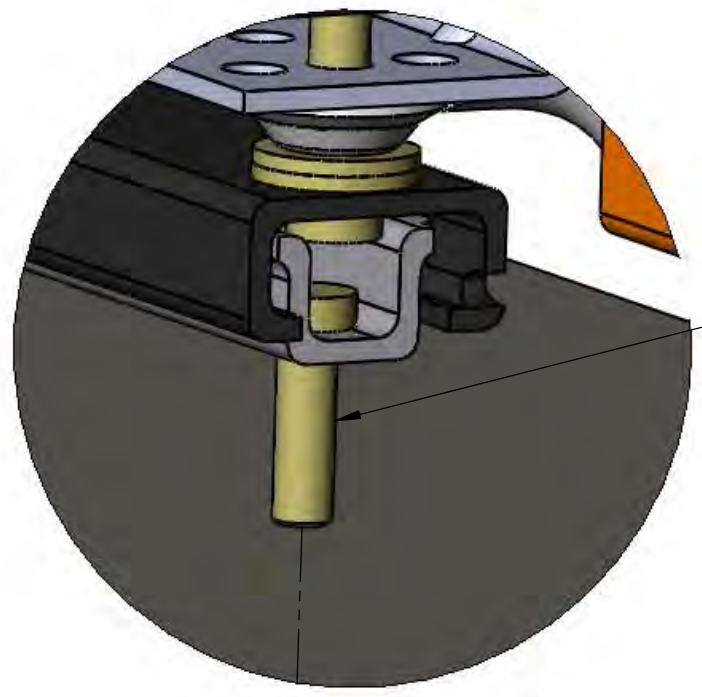
C

B

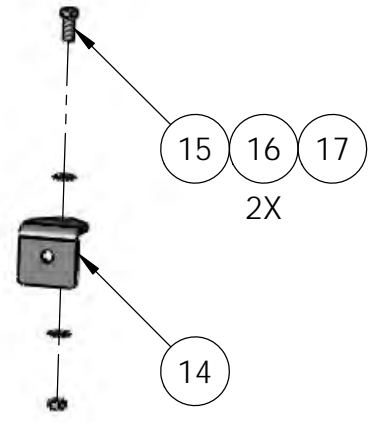
B

A

A



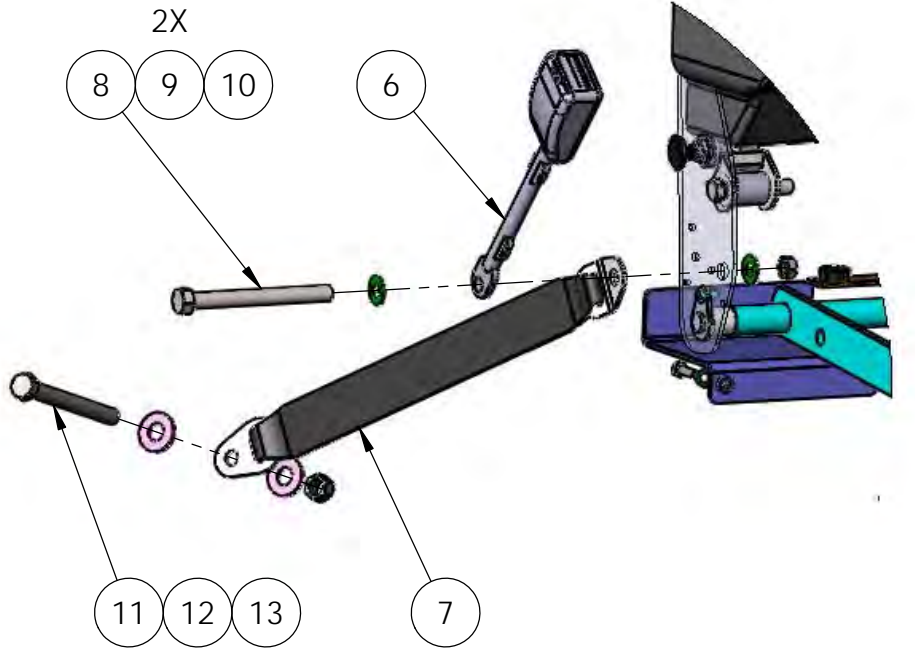
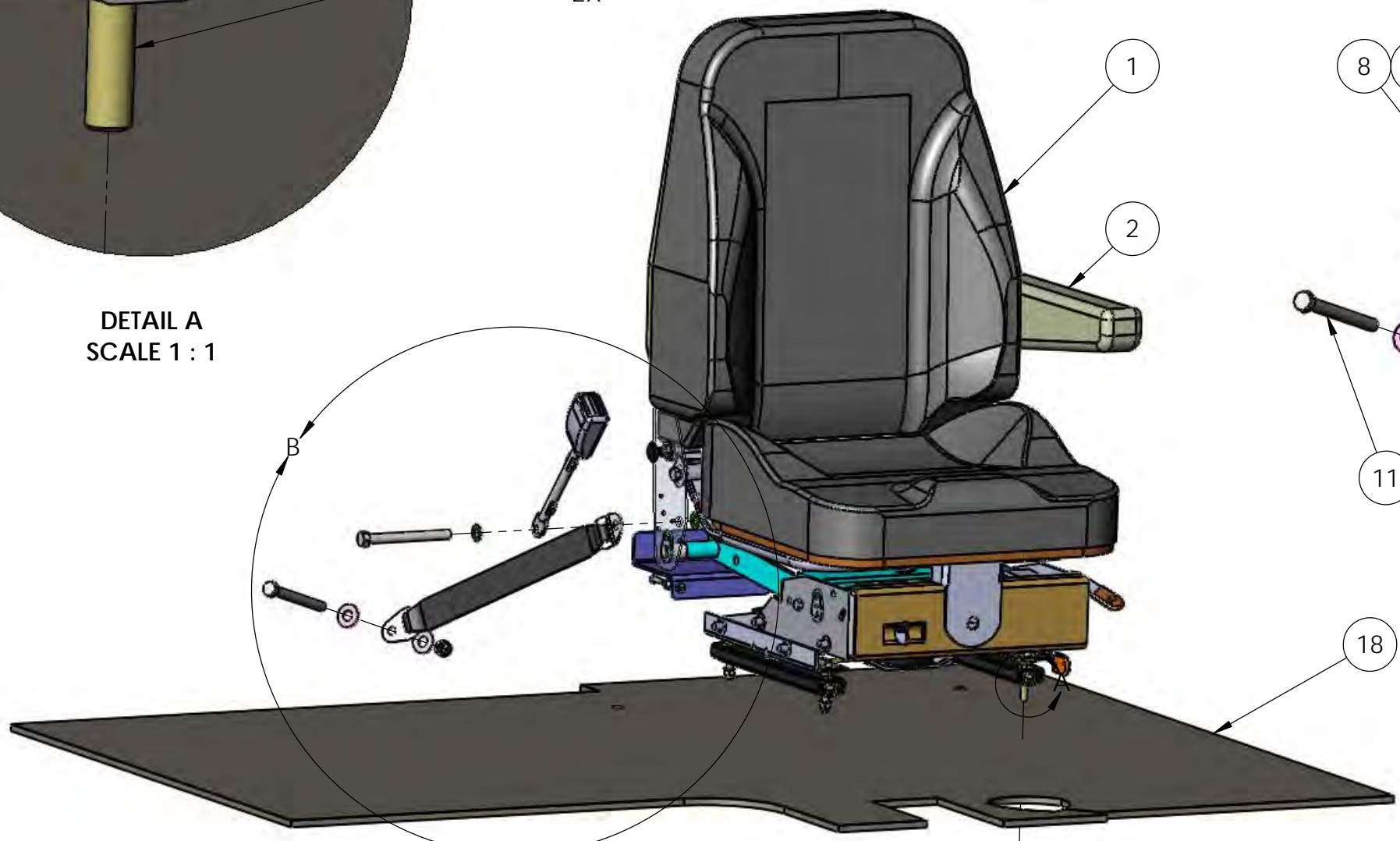
3 4 5  
2X



15 16 17  
2X

14

DETAIL A  
SCALE 1 : 1



8 9 10  
2X


6

11 12 13  
2X

7

DETAIL B  
SCALE 1 : 6

18

DIMENSIONS ARE IN INCHES		NAME	DATE	 TICO/TERMINAL SERVICE 66 CYPRESS RIDGE DR. RIDGELAND, SC 29936 (843) 717-2226
TOLERANCES:		DRAWN	SMB 03/11/2015	
DECIMAL:		REVISED	MPC 07/07/2016	
X.X ± 0.06 X.XX ± 0.03 X.XXX ± 0.005		APPROVED		
ANGULAR:		DO NOT SCALE DRAWING		TITLE:
FRACTIONAL ± 1/32"				SEAT, BOSTROM
INTERPRET GEOMETRIC TOLERANCING PER: ASME 14.5M-1994		THE SUBJECT MATTER SHOWN AND DESCRIBED IN THIS DRAWING AND ANY OTHER INFORMATION ADVANCED IN CONNECTION THEREWITH, IS PROPRIETARY PROPERTY AND IS TO BE HELD IN STRICT CONFIDENCE BY YOU. ALL RIGHTS TO ANY INVENTIONS, DESIGNS, TRADE MARKS, TRADE NAMES AND COPYRIGHTS DISCLOSED ARE RESERVED TO TICO TERMINAL SERVICES, INC.		SIZE
MATERIAL				DWG. NO.
FINISH				721138-A1
THICKNESS				REV
				B1
				SHEET 1 OF 1

