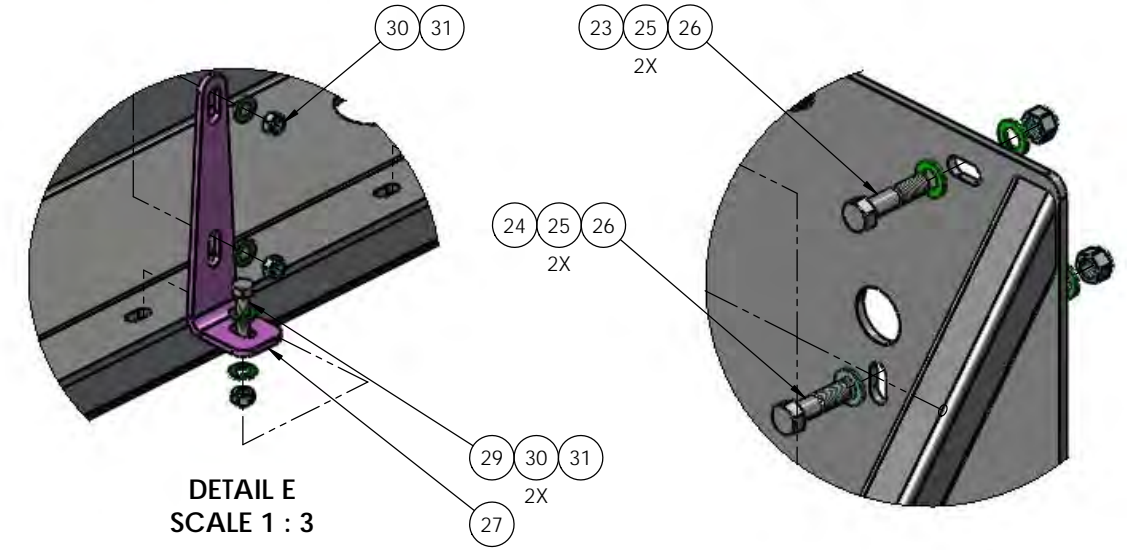
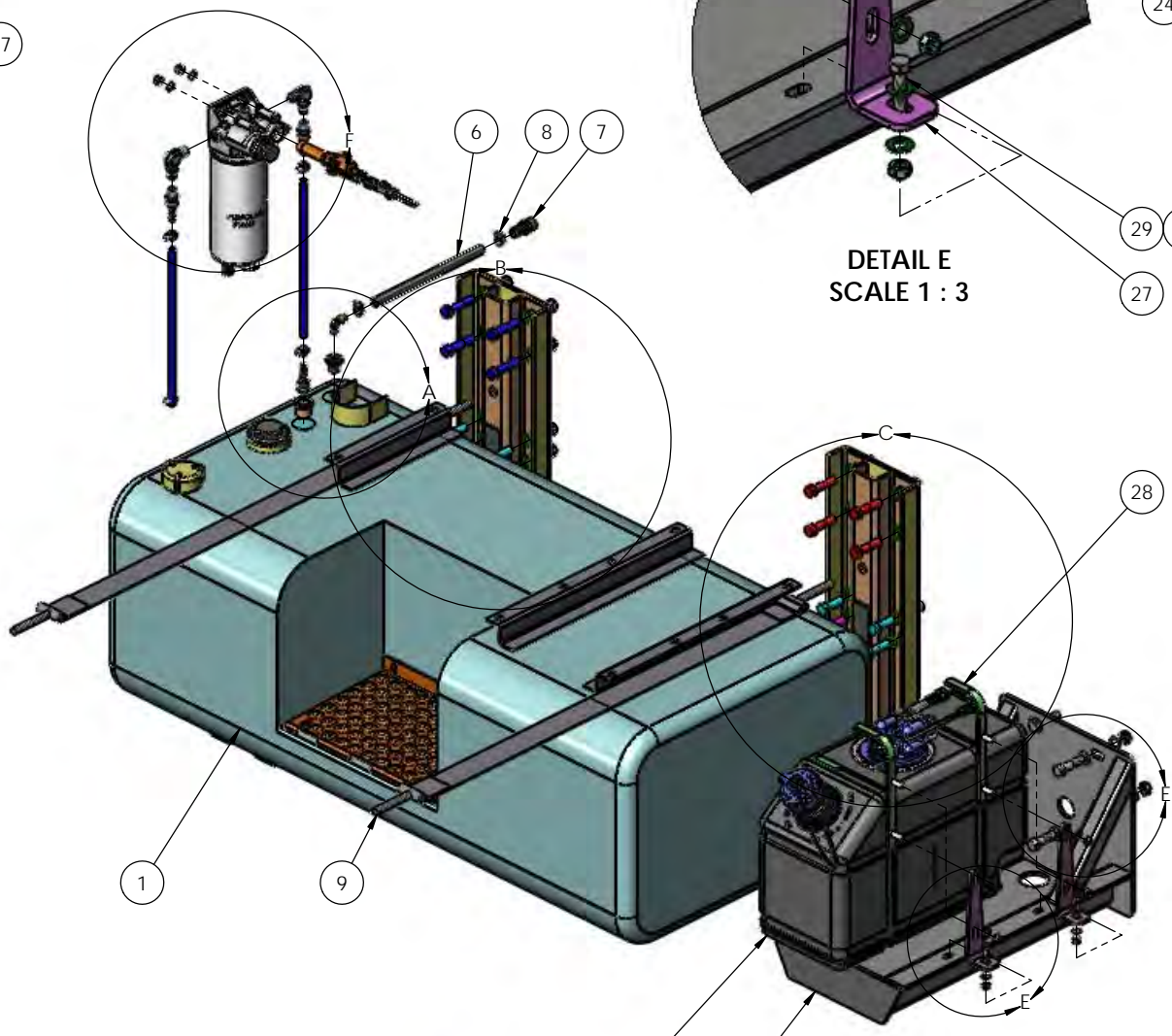


DETAIL F
SCALE 1 : 4

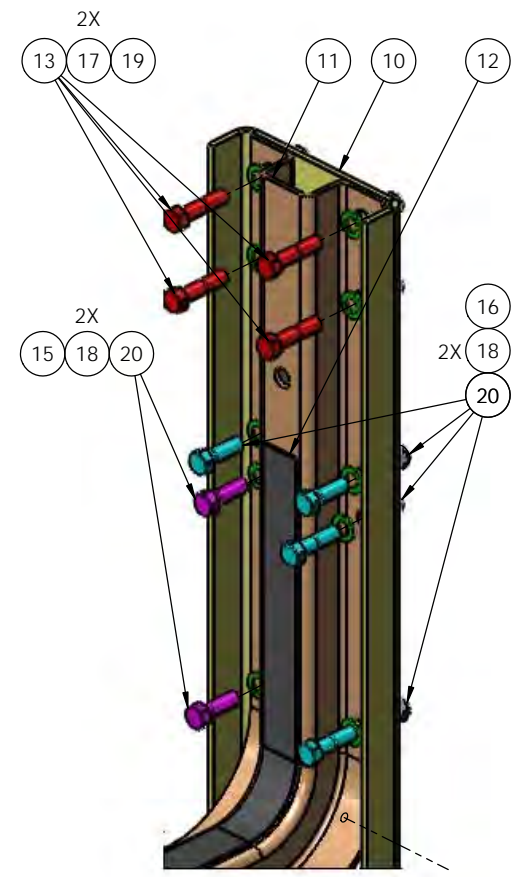


DETAIL E
SCALE 1 : 3

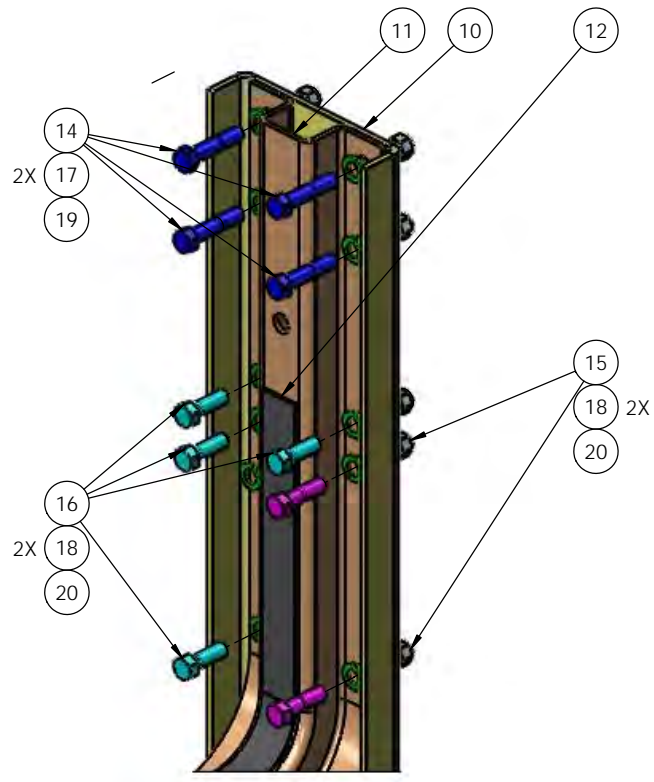
DETAIL E
SCALE 1 : 3



DETAIL A
SCALE 1 : 4



DETAIL C
SCALE 1 : 4



DETAIL B
SCALE 1 : 4

DIMENSIONS ARE IN INCHES		NAME	DATE	TICO/TERMINAL SERVICE 66 CYPRESS RIDGE DR. RIDGELAND, SC 29936 (843) 717-2226
TOLERANCES:		DRAWN	PW 05/26/2016	
DECIMAL:		REVISED	MPC 08/23/2016	
.XX ± 0.06 .XXX ± 0.03 .XXXX ± 0.005 ANGULAR: ± 0.5° FRACTIONAL: ± 1/32"		APPROVED		TITLE:
INTERPRET GEOMETRIC TOLERANCING PER: ASME 14.5M-1994		DO NOT SCALE DRAWING		ASSEMBLY, FUEL TANK & SYSTEM 65 GALLON
THE SUBJECT MATTER SHOWN AND DESCRIBED IN THIS DRAWING AND ANY OTHER INFORMATION ADVANCED IN CONNECTION THEREWITH IS PROPRIETARY PROPERTY AND IS TO BE HELD IN STRICT CONFIDENCE BY YOU. ALL RIGHTS TO ANY INVENTIONS, DESIGNS, TRADE MARKS, TRADE NAMES AND COPYRIGHTS DISCLOSED ARE RESERVED TO TICO TERMINAL SERVICES, INC.		SIZE	DWG. NO.	REV
		C	721123-B1	
				SHEET 1 OF 1

TICO PRO-SPOTTER				
S/N:		ASSEMBLY, FUEL TANK & SYSTEM, 65 GALLON		721123
ITEM	PART #	QTY/M	DESCRIPTION	
	721123-B1	REF	ASSEMBLY, FUEL TANK & SYSTEM, 65 GALLON	
	61001	REF	FILTER, FUEL, PRIMARY (FF5632, FURNISHED WITH ENGINE)	
1	20289	1	TANK, FUEL, 65 GALLON	
2	20169	1	SENDER FUEL, 240-33 OHM, NO-FLOAT	
3	42053	1	FITTING, REDUCER, BRASS, 3/4 NPT X 3/8 NPT (SUPPLY)	
4	42136	1	FITTING, HOSE, 90°, BRASS, 3/8 BARB TO 3/8 NPT (SUPPLY)	
5	42090	1	FITTING, REDUCER, BRASS, 1/2 NPT X 1/4 NPT (RETURN)	
6	41214	32 IN	HOSE, FUEL, 3/8" (SAE 30R9)	
7	42136	2	FITTING, HOSE, 90°, BRASS, 3/8 BARB TO 3/8 NPT (RETURN)	
8	24110	2	CLAMP, HOSE, WORM GEAR, 1/4 TO 5/8	
9	20179	2	HOLDING STRAP, FUEL TANK	
10	12960	2	CHANNEL BRACKET, FUEL TANK	
11	12961	2	MOUNT BRACKET, FUEL TANK	
12	20171	2	PAD, RUBBER, FUEL TANK BRACKET, 1/8 X 1-1/2	
13	82419	4	BOLT, HEX HEAD, 5/8-11 X 2 LONG	
14	82397	4	BOLT, HEX HEAD, 5/8-11 X 1-1/2 LONG	
15	82407	4	BOLT, HEX HEAD, 1/2-13 X 1-3/4 LONG	
16	82385	8	BOLT, HEX HEAD, 1/2-13 X 1-1/4 LONG	
17	85094	16	WASHER, FLAT, 5/8	
18	85093	24	WASHER, FLAT, 1/2	
19	85028	8	LOCKNUT, NYLON, 5/8-11	
20	85027	12	LOCKNUT, NYLON, 1/2-13	
21	62433	1	DEF TANK, QUALITY SENSOR & J1939 MONITOR	
NOT SHOWN	20086-7	1	COVER, DEF TANK	
NOT SHOWN	20087	3	GROMMET	
22	121157	1	ASSEMBLY, MOUNT, DEF TANK	
23	82418	2	BOLT, HEX HEAD, 1/2-13 X 2 LONG	
24	82407	1	BOLT, HEX HEAD, 1/2-13 X 3/4 LONG	
25	85093	6	WASHER, FLAT, 1/2	
26	85027	3	LOCKNUT, NYLON, 1/2-13	
27	20086-5	4	BRACKET, DEF TANK	
28	20086-4	4	ASSEMBLY, BAR, FLAT	
NOT SHOWN	20086-2	1	VALVE, CONTROL, COOLANT	
NOT SHOWN	41178	27 IN	HOSE, SILICONE, 5/8" (TEE TO FLOW VALVE FEED)	
NOT SHOWN	41178	2-1/2 IN	HOSE, SILICONE, 5/8" (FLOW VALVE TO DEF TANK FEED)	
29	82382	4	BOLT, HEX HEAD, 5/16-18 X 1-1/4 LONG	
30	85090	16	WASHER, FLAT, 5/16	
31	85024	12	LOCKNUT, NYLON, 5/16-18	
REV	DATE	BY		SHEET
B	09/21/2016	MPC		1 OF 2

