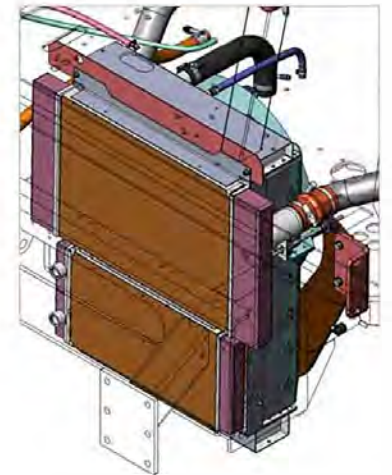
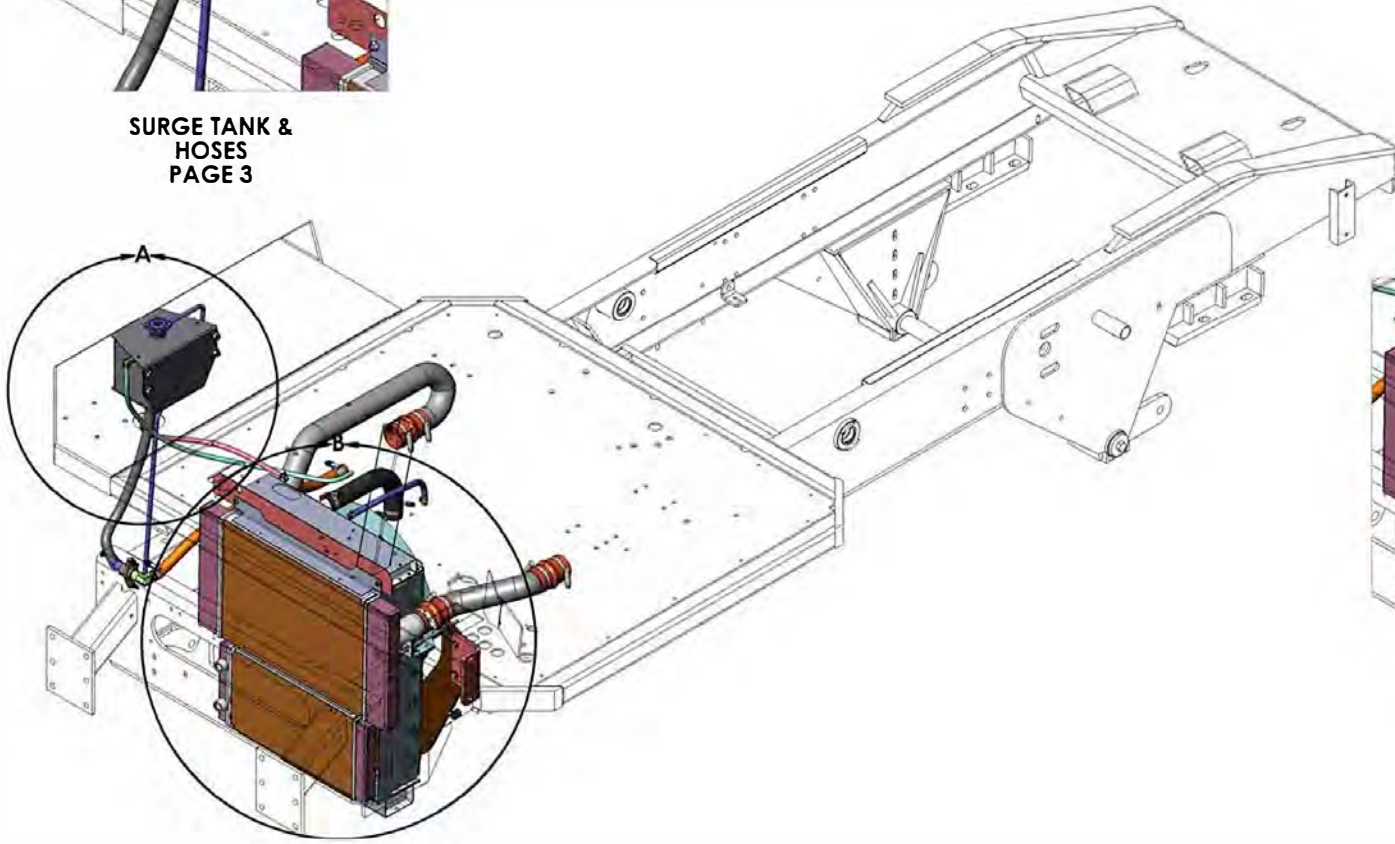
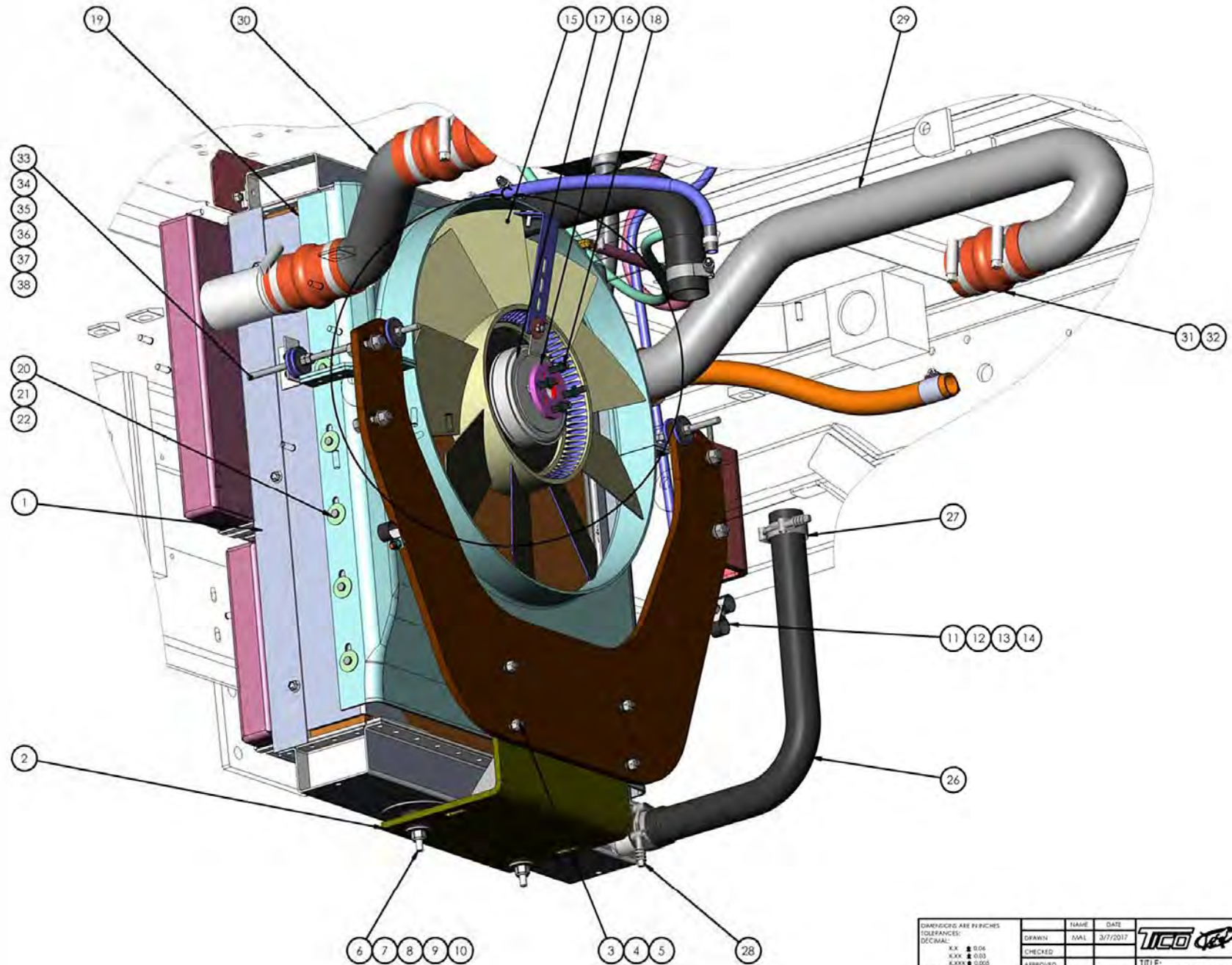


**SURGE TANK &  
HOSES  
PAGE 3**

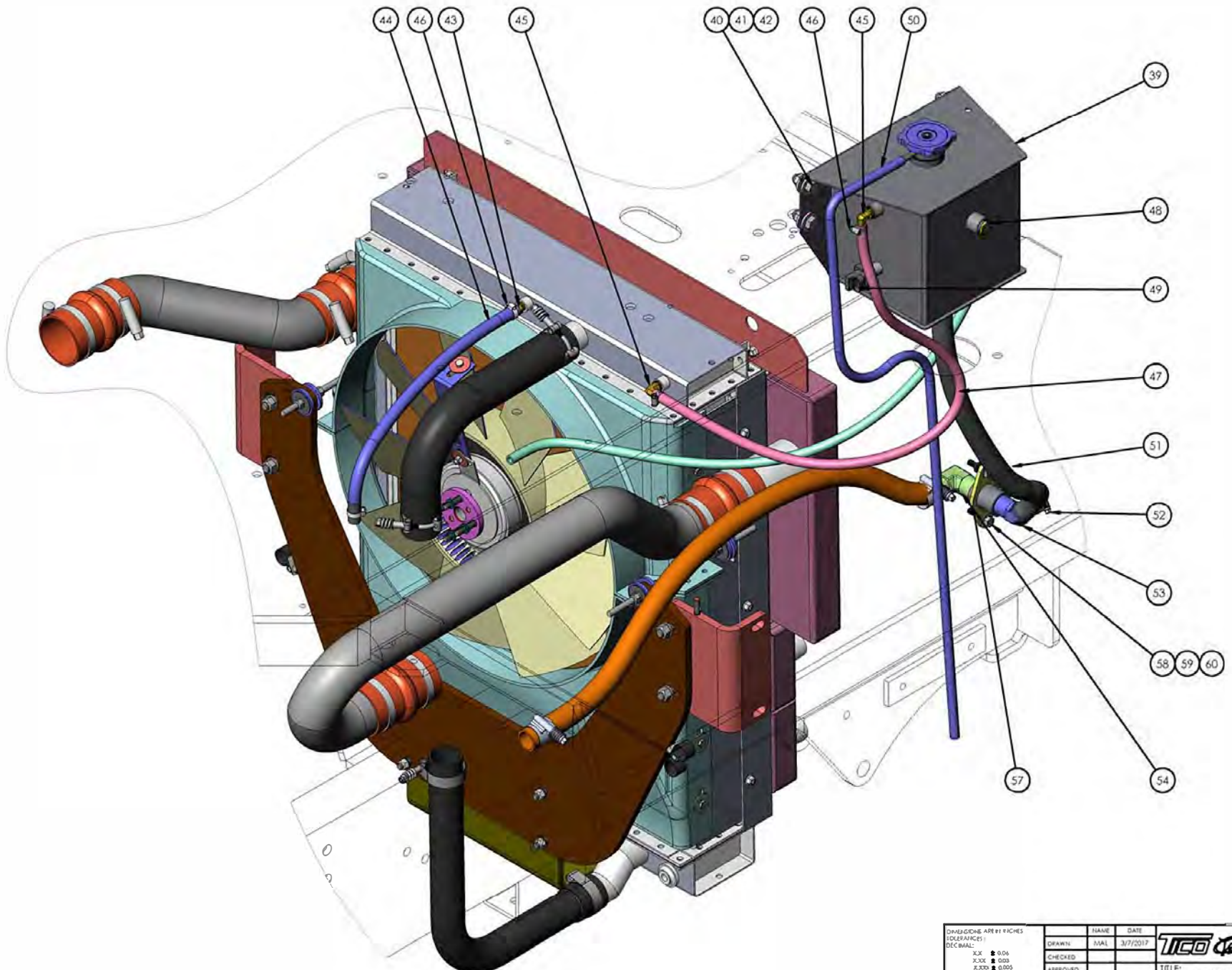



**RADIATOR &  
SHROUD  
PAGE 2**

DIMENSIONS ARE IN INCHES TOLERANCES: DECIMAL		NAME	DATE	TICO/TERMINAL SERVICE 66 CYPRESS RIDGE DR. ROSELAND, SC 29956 (843) 717-2226
R.X. ● 0.06		DRAWN MAL	3/7/2017	
X.XX ● 0.03		CHECKED		TITLE: COOLING SYSTEM, 2015-ISB
X.XXX ● 0.005		APPROVED		
ANGULAR ● 0.5°		DO NOT SCALE DRAWING		
FRACTIONAL ● 1/32"		THE SUBJECT MATTER SHOWN AND DESCRIBED IN THIS DRAWING AND ANY OTHER INFORMATION ADVANCED IN CONNECTION THEREWITH IS PROPRIETARY PROPERTY AND IS TO BE HELD IN STRICT CONFIDENCE BY YOU. ALL RIGHTS TO ANY INVENTION, DESIGN, TRADE MARK, TRADE NAME AND COPYRIGHTS DECLARED ARE RESERVED TO TICO TERMINAL SERVICES, INC.		
INTERPRET GEOMETRIC TOLERANCING PER: ASME Y14.5M-1994		MATERIAL	N/A	SIZE DWG. NO. REV
FINISH	SEE NOTE	QUANTITY	N/A	C 721120-B1
SCALE: 1:32 WEIGHT: 3360.42 SHEET 1 OF 3				



DIMENSIONS ARE IN INCHES		NAME	DATE
TOLERANCES:		DRAWN	MAL
DECIMAL:		CHECKED	
XX .004		APPROVED	
XXX .003		DO NOT SCALE DRAWING	
XXXX .002		THE SUBJECT MATTER SHOWN AND DESCRIBED IN THIS DRAWING AND ANY OTHER INFORMATION ADVISED BY CONTRACTOR THEREWITH IS TO BE HELD IN STRICT CONFIDENCE BY YOU. ALL RIGHTS TO ANY INVENTION, DESIGN, TRADE MARK, TRADE NAME AND COPYRIGHTS DECLARED ARE RESERVED TO TICO TERMINAL SERVICE, INC.	
ANGULAR: .03°		TICO TERMINAL SERVICE 86 CYPRESS RIDGE DR. ROSELAND, SC 29906 (843) 717-2226	
FRACATIONAL: 1/32"		TITLE: COOLING SYSTEM, 2015-ISB	
EXCEPT GEOMETRIC TOLERANCES PER: ASME Y14.5M1994		SIZE	DWG. NO.
MATERIAL: N/A		C	721120-B1
FINISH: SEE NOTE		REV	
NOTES: N/A		SCALE: 1:32 WEIGHT: 3360.4 SHEET 2 OF 3	



DIMENSIONS ARE IN INCHES CLEARANCE: DECIMAL:		NAME	DATE	 TICO/TERMINAL SERVICE 66 CYPRESS RIDGE DR. ROCKLELAND, SC 29936 (843) 717-2226	
XXX ■ 0.06		DRAWN	MAL		3/7/2017
XXX ■ 0.03		CHECKED			
XXX ■ 0.005		APPROVED			
ANGULAR: ■ 0.5°					
FRACATIONAL: ■ 1/32"		DO NOT SCALE DRAWING		TITLE: COOLING SYSTEM, 2015-ISB	
INTERPRET GEOMETRIC TOLERANCES PER: ASME Y14.5M-1994		THE SUBJECT MATTER SHOWN AND DESCRIBED IN THIS DRAWING AND ANY OTHER INFORMATION ADVANCED BY CONTRACTOR THEREWITH IS PROPRIETARY PROPERTY AND IS TO BE HELD IN STRICT CONFIDENCE BY YOU. ALL RIGHTS TO ANY INVENTION, DESIGN, TRADE MARK, TRADE NAME AND COPYRIGHTS DECLARED ARE RESERVED TO TICO/TERMINAL SERVICES, INC.		SIZE C	
MATERIAL N/A	SEE NOTE	DWG. NO. 721120-B1		REV	
SCALE: 1:32	WEIGHT: 3360.4	SHEET 3 OF 3			

**TICO PRO-SPOTTER**

**COOLING SYSTEM, QSB-III, RADIATOR,CAC,CLUTCH FAN, RUBBER ISOLATORS**

**721120**

ITEM	PART #	QTY/M	DESCRIPTION	
	721120-B1	REF	COOLING SYSTEM, QSB-3 HIGHMOUNT	
1	620586	1	RADIATOR ASSY - W/AC CONDENSER MTG - 1/2" STUDS,BAR/PLATE	
2	12737	1	RADIATOR MOUNT, RUBBER ISOLATORS, QSB3	
3	82405	4	BOLT, HEX 3/8-16 x 1-3/4" Lg BRKT to ENGINE MT	
4	85091	8	WASHER, FLAT 3/8	
5	85036	4	LOCKNUT - 3/8-16	
6	62254	2	ISOLATOR - RADIATOR MOUNT	
7	80346	4	WASHER, FENDER 3/8" ID x 1 1/2" OD	
8	62110	2	WASHER - FRONT ENGINE MOUNT - BOTTOM	
9	62332	2	WASHER - RADIATOR MOUNT TOP	
10	85027	2	LOCKNUT, NYLON 1/2-13	
11	85025	2	LOCKNUT, 3/8-16	
12	85091	8	WASHER, FLAT 3/8	
13	85014	2	NUT, HEX 3/8-16	
14	40593	2	CLAMP, P 1.0	
15	60907	1	FAN,ENG 22" 9 BLADE COMP 3.75 PW CLUTCH	
16	62328	1	CAPTURE PLATE	
17	62173-2	1	SPACER-FAN 2 1/2"	
18	80237	4	BOLT, HEX 10mmX1.5mmX100mm LONG (FAN TO ENG)	
19	60988	1	FAN SHROUD	
20	82370	8	BOLT, HEX 1/4-20 X 1" LG SHROUD SIDES	
21	80129	12	WASHER, FENDER 1/4" ID x 1 1/4" OD	
22	85034	12	LOCKNUT 1/4	
23	40593	2	P-CLAMP	
24	60607	1	HOSE, RADIATOR INLET - 2"	
25	420304	2	CLAMP, "T" BOLT - 2"-2 5/16"	
26	60890	1	HOSE, RADIATOR OUTLET - 2" X 25" LG	
27	420310	1	CLAMP, "T" BOLT - 2 1/8"-2 7/16"	
28	420305	1	CLAMP, "T" BOLT - 2 1/4"-2 9/16"	
29	60995	1	TUBE, CAC OUTLET, QSB3 CRADLE	
30	60996	1	TUBE, CAC INLET, QSB3 CRADLE	
31	61660	4	HOSE, HUMP CAC 3" DIA	
32	40185	8	CLAMP, SPRING HOSE	
<b>REV</b>	<b>DATE</b>	<b>BY</b>		<b>SHEET</b>
B	04/18/2017	MAL		1 OF 2

